

CATALOG #	TYPE	
JOB NAME	WATTAGE	VOLTAGE

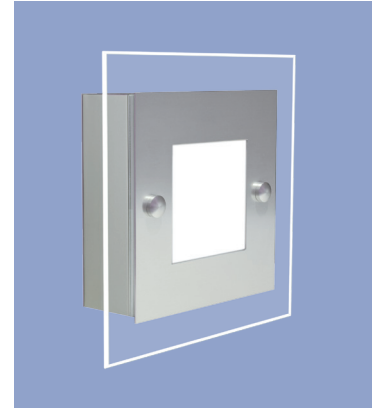
10" LED 1300 LUMEN SERIES 20 WATT **MSS-10105**

SmartLED™ MRI Lighting Systems

Square Surface Mount Decorative Sconce

Central Glow Panel • Edge Glow
White Standard • Colors Optional

Up to 90,000 Hour Life (L70) • LM-80 Qualified



Must Use:

- Kirlin MRI LED Luminaires
- SmartSupply™ LPS-1220A
- SmartFilter™ RFI-3100D

Specifications

LED Light Engine

- 20 watt LED array. 4100°K.
- CRI: 80+. Up to 90,000 hour life (L70**).
- Fully sustainable; removable for servicing.

Thermal Management System

- Aluminum components and housing maximize cool operation and long life while minimizing maintenance.

SmartSupply™ (Remote Power Supply) Required - Order Separately

- Digitally controlled. Drives up to 2 sconces per SmartSupply channel. Each SmartSupply has 6 configurable channels.
- 100-0.2% full range dimming in up to 3 zones.
- LPS-1220A: Compatible with 0-10V DC dimming controls. See vendor qualified list in the owner's manual.
- Suitable for dry, non-plenum locations only with ambient temperature range of -20°C (-4°F) to 40°C (104°F). 115 - 277V, 50-60 Hz.
- For more information, see specification sheet for LPS-1220A.

SmartFilter™ (RFI / EMI Filter) Required - Order Separately

- Protects up to 3 SmartSupply channels.
- For more information see specification sheet for RFI-3100D.

SmartPower™ Battery Backup Order Separately

- Battery backup for emergency power.
- For more information see specification sheet for EMI-21220.

Sconce Assembly

- Decorative brushed aluminum square faceplate (7.5" square) with clear 1/4" acrylic diffuser (10" square).
- Illuminated white center field and edge glow. or see Options for colors.
- Two contemporary button finishes.
- **Brushed Anodized Aluminum Housing**
- Shallow 2 1/2" inconspicuous depth meets all ADA requirements.
- Cool operation: Extends life of all components.

- Optional white, white BioGard™ anti-microbial, silver, black or custom color finishes available.
- Rustproof.
- Fully sustainable: Entire luminaire, including light engine, is modular and easily serviced.

Installation

- Requires minimum 18 AWG twisted pair shielded wire from SmartSupply™ to sconce.
- Universal back plate. Mounts to any ferromagnetic octagon or 4" square J-box (by others) in wall or ceiling.

UL, C-UL (Canada) Listings

- Dry locations, covered ceilings / wall.

CE & FCC Compliance

- Meets IEC/EN 60601-1-2 electromagnetic compatibility standard for medical electrical equipment.
- FCC Part 15 certified for EMI/RFI emissions.

5 Year FIVE YEAR Limited Warranty

- Complete standard fixture.

Use of SmartSupply™ and SmartFilter™
REQUIRED or Kirlin warranty
is null and void

L70 for Kirlin Luminaires**

In Open Space	90,000 hours
---------------	--------------

**Hours at 70% lumen maintenance



THE KIRLIN COMPANY

3401 EAST JEFFERSON AVENUE • DETROIT, MICHIGAN 48207-4232
(313) 259-6400 • Fax: (313) 259-9409 OR (313) 259-3121 • www.kirlinlighting.com

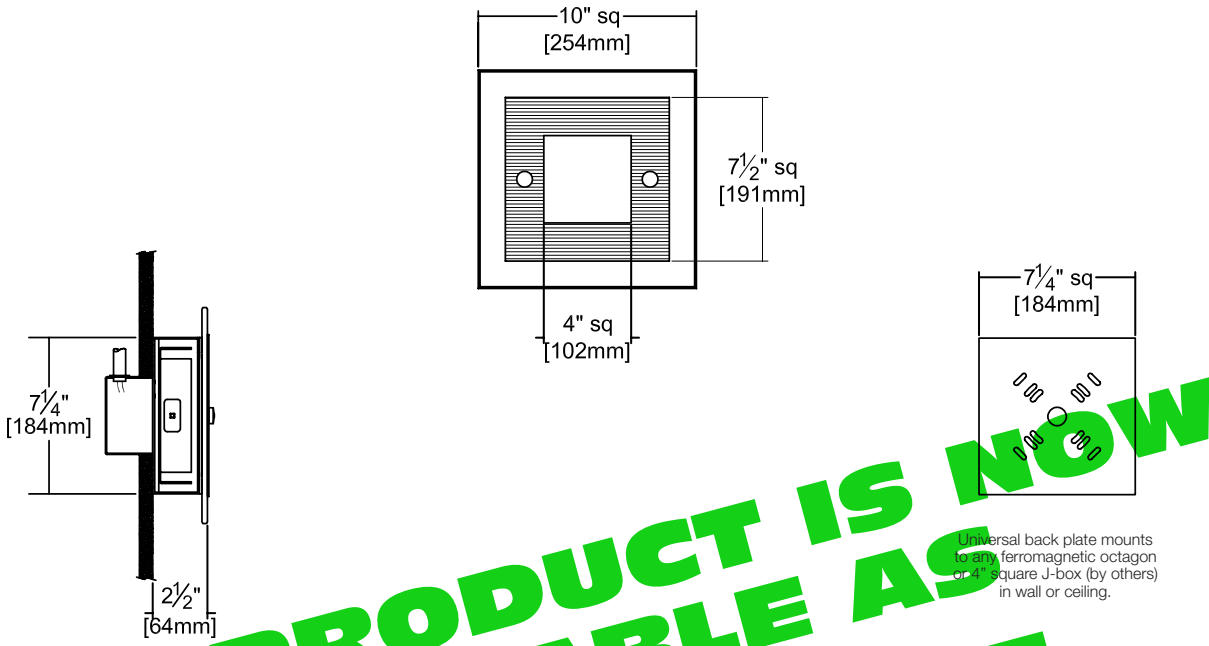
SmartLED™ MRI Lighting Systems
Luminaires • Sconces • SmartSupply • SmartFilter

CATALOG NUMBER

MSS-10105

DUE TO OUR CONTINUING EFFORT TO IMPROVE PRODUCTS, TECHNICAL INFORMATION IS SUBJECT TO CHANGE WITHOUT NOTICE. THE KIRLIN COMPANY EXPECTS PHOTOMETRIC PERFORMANCE TO IMPROVE SIGNIFICANTLY AND FREQUENTLY AS LED SOURCE TECHNOLOGY IMPROVES.

Dimensions



Universal back plate mounts to any ferromagnetic octagon or 4" square J-box (by others) in wall or ceiling.

THIS PRODUCT IS NOW AVAILABLE AS MSS-10255 (CLICK TO DOWNLOAD)

Options

Ring and Surface Housing

- 30 White baked enamel finish instead for ring and housing.
- 35 Natural Aluminum baked enamel finish instead for ring and housing.
- 38 Black baked enamel finish instead for ring and housing.
- 94 Custom color/finish for ring and housing. Specify. Consult factory.
- BG Anti-microbial Kirlin BioGard™ white (only) finish for ring and housing.

Inner Lens Color

- BL Blue filter.
- CF Custom filter color (Rosco). Specify.
- GN Green filter.
- OR Orange filter.
- RA Red amber filter.
- RE Red filter.
- YE Yellow filter.

Other

- CI Custom image (color / logo) added to center field of sconce.

3 Steps To "Artifact-Free" Imaging

1. Use complete Kirlin SmartLED™ MRI system: luminaires, filters, drivers
2. Use a minimum #18 AWG twisted, shielded pair wire
3. Use a 0-10V wall box dimmer that is approved for use with SmartSupply™ (consult Owner's Manual); wall dimmers must be located outside of room shield and must not be filtered through RFI-3100D SmartFilter™

SUBMITTAL DATA

JOB NAME _____
 TYPE _____
 WATTAGE _____ VOLTAGE _____
 CATALOG NUMBER _____

APPROVAL STAMP

LIMITED WARRANTY: CATALOGED KIRLIN FIXTURES ARE WARRANTED FREE OF DEFECTS IN WORKMANSHIP OR MATERIAL FOR THREE YEARS FROM DATE OF PURCHASE. INSTALL TO N.E.C. IN NORMAL USE. Manufacturer of the option will replace or repair such fixture or refund the purchase price on presentation of proof of purchase and defective fixture at the offices of manufacturer within three years of original shipment. Liability of manufacturer is limited to the foregoing and manufacturer shall not be liable for any other damages, direct or indirect, sustained or suffered by purchaser or any person. This warranty is supplied in place of all other warranties, expressed or implied. Seller does not warrant as to merchantability or fitness for a particular use, nor will any oral statement constitute a warranty or amend the specific warranty. Abnormal use, abuse of the fixture, improper installation, or repair or modification of the fixture without prior written authorization from the manufacturer will render the warranty void.