

CATALOG #	TYPE	
JOB NAME	WATTAGE	VOLTAGE

# SmartLED™ MRI Lighting System

## Round Surface Mount Decorative Sconce

Central Glow Panel • Edge Glow • ADA Compliant  
14" Diameter • Up to 90,000 Hour Rated Life • LM-80 Qualified

### Specifications

#### Delivered System Performance

- 15 watt LED array
- Color temperature: 3500°K standard
- CRI: 80+ standard
- 90,000 hour life (L70\*\*)
- Fully sustainable: removable for servicing

#### Thermal Management System

- Aluminum heat sink and components for cool operation, long life, and low maintenance

#### SmartLED™ MRI Lighting System Required

- Kirlin remote driver modules, cabinet, and RFI filters required for operation
- Components ordered separately, see below for driver information and [MRI-CABNT](#) for additional components
- The [MRI Configurator](#) can help determine the necessary components
- SmartLED driver modules provide 0-10V dimming to 0.38%

#### SmartLED™ Emergency Backup System

- [EMI-21220](#) or [EMI-03120](#) available for emergency power
- See specification sheet; order separately

#### Sconce Assembly

- Round decorative brushed aluminum ring (10.5" diameter) with clear 1/4" acrylic diffuser (14" diameter)
- Illuminated white center field and edge glow
- Optional colors and finishes available
- Four contemporary button finials

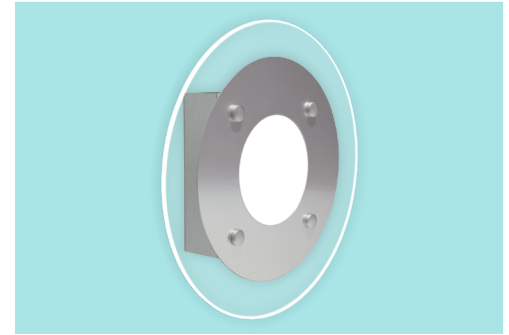
#### Brushed Anodized Aluminum Housing

- Shallow 2 1/2" inconspicuous depth meets all ADA requirements
- Rustproof
- Cool operation extends component life
- Modular design; easily serviceable

#### Installation & Hardware

- Requires minimum 18 AWG twisted pair shielded wire from SmartLED™ MRI Lighting System to fixtures

# MSR-14250



- Universal back plate mounts to any non-ferromagnetic octagon or 4" square J-box (by others) in wall or ceiling

#### UL, C-UL (Canada) Listings

- Dry locations, covered ceilings / wall

#### IEC & FCC Compliance

- FCC Part 15 certified for EMI/RFI emissions

#### FIVE YEAR Limited Warranty

- Complete fixture, must be installed with all SmartLED™ components

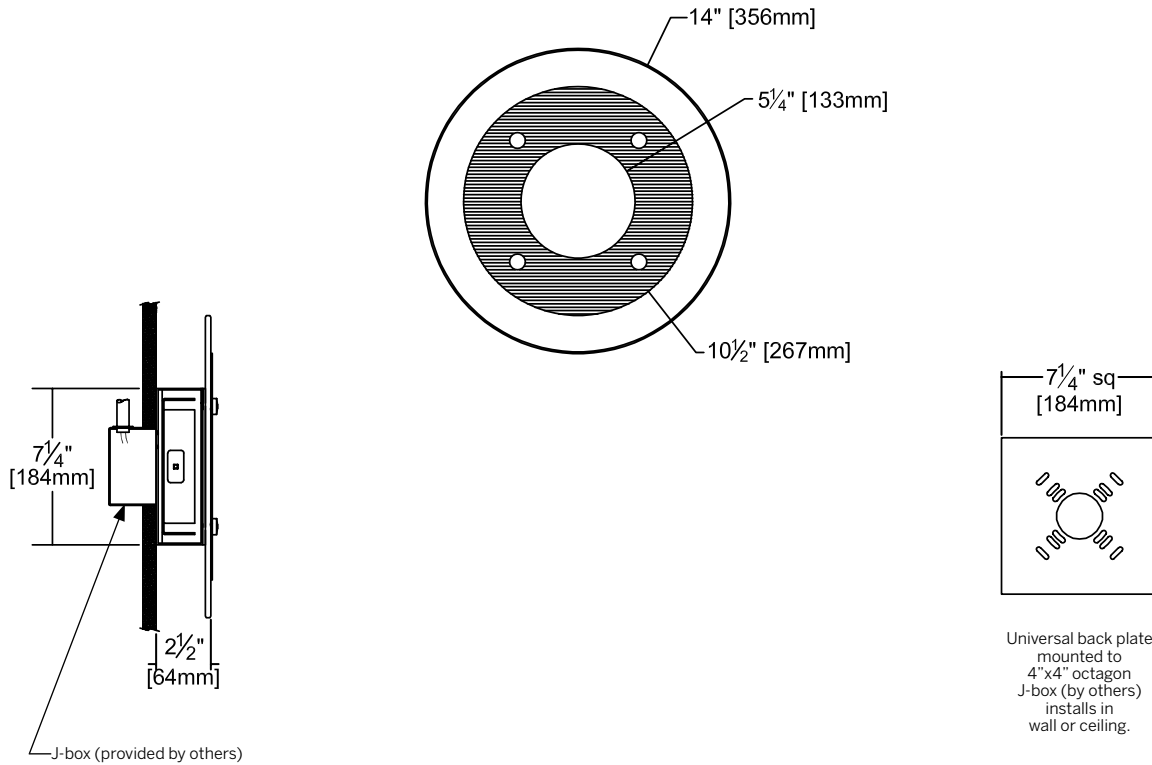
## Options and Ordering Configuration

(Example: MSR-14250-BG-RA)



Must Specify	Optional						
Model	Ring & Surface Housing Options	Inner Lens Color Options	Other Options				
MSR-14250	<p><b>(Blank):</b> Brushed Aluminum ring and surface housing</p> <p><b>-30:</b> White baked enamel finish instead for ring and housing</p> <p><b>-35:</b> Natural Aluminum baked enamel finish instead for ring and housing</p> <p><b>-38:</b> Black baked enamel finish instead for ring and housing</p> <p><b>-BG:</b> BioGard anti-microbial white</p> <p><b>-BKBG:</b> BioGard anti-microbial black</p> <p><b>-94:</b> Custom color; consult factory</p> <p><b>-94BG:</b> BioGard anti-microbial custom color finish</p>	<p><b>(Blank):</b> White center field</p> <p><b>-BL:</b> Blue filter</p> <p><b>-CF:</b> Custom filter color (Rosco) filter; specify</p> <p><b>-GE:</b> Green filter</p> <p><b>-OR:</b> Orange filter</p> <p><b>-RA:</b> Red amber filter</p> <p><b>-RE:</b> Red filter</p> <p><b>-YE:</b> Yellow filter</p>	<p><b>(Blank):</b> None</p> <p><b>Other Options</b></p> <p><b>-CI:</b> Custom image (color / logo) added to center field of sconce</p>				
<table border="1"> <tr> <th colspan="2">Projected L70** for Kirlin Luminaires</th> </tr> <tr> <td>In Open Space</td> <td>90,000 hours</td> </tr> </table> <p>**Hours at 70% lumen maintenance</p>				Projected L70** for Kirlin Luminaires		In Open Space	90,000 hours
Projected L70** for Kirlin Luminaires							
In Open Space	90,000 hours						

## Dimensions



## SmartLED™ MRI Driver Modules

Fully Digital Controlled Power Source for LED Luminaires

Mounted in Kirlin's **MRI-CABNT**

Drivers wired in series



Driver Module	Maximum Capacity	Fixture Load Example
DVR-1400A	Up to Qty 2: Sconces	<ul style="list-style-type: none"> <li>Qty 1: MSR-14250</li> <li>Qty 2: MSR-14250</li> <li>Qty 1: MSR-14250 and Qty 1: MSS-10255</li> </ul>

LIMITED WARRANTY: CATALOGED KIRLIN FIXTURES ARE WARRANTED FREE OF DEFECTS IN WORKMANSHIP OR MATERIAL FOR FIVE YEARS FROM DATE OF PURCHASE. INSTALLATION, E.G., IN NORMAL USE. Manufacturer at his option will replace or repair such fixture or refund the purchase price on presentation of proof of purchase and defective fixture at the offices of manufacturer within the years of original shipment. Liability of manufacturer is limited to the foregoing and manufacturer shall not be liable for any other damages, direct or indirect, sustained or suffered by purchaser or any person. This warranty is supplied to the buyer in place of all other warranties, expressed or implied. Seller does not warrant as to merchantability or fitness for a particular use, nor will any oral statement constitute a warranty or amend this specific warranty. Abnormal use, abuse of the fixture, improper installation, or repair or modification of the fixture without prior written authorization from the manufacturer will render the warranty void.

SmartLED MRI  
 NOVEMBER 2024