

CATALOG #	TYPE	
JOB NAME	WATTAGE	VOLTAGE

Lighting for Patient Spaces

Vandal IP65 Sealed & Gasketed 8" LED Downlight

Up to 60,000 Hour Rated Life • ISO 5/Class 100 Clean Room (-SH)
Wet Location • M-80 Qualified • LM-79 Certified Photometry

MRV-08845



Specifications

Delivered System Performance*

- Lumen Series: **Must Specify**
 - 5000L (55W)
 - 3500L (42W)
 - 2500L (35W)
- Distribution: MFL standard; optional: -NFL or WFL
- Color temperature: 3500°K standard; optional: -27K, -30K, -41K, or -50K
- CRI: 80+ standard; optional: -HC (90+)
- 60,000 Hour Rated Life (L70)
- Fully sustainable: removable for servicing

- Kirlin BioGard™ antimicrobial white finish continuously inhibits growth of bacteria on the coating of the trim
- Flush center pin tamperproof hex screws and captive nuts secure trim to housing; tamperproof tool included
- High strength prismatic acrylic above 1/8" clear flat polycarbonate
- Continuous ring secures lens to trim

Thermal Protection: SPECIFY VOLTAGE

Thermal protector for insulation detection per UL/NEC; must specify input voltage

Thermal Management System

- Aluminum heat sink and components for cool operation, long life, and low maintenance

LED Driver - INTERNAL

- Indoor/Outdoor: -30°C to 60°C (-22°F to 140°F)
- 0-10V CCR dimming standard (100-10%)
- Voltage Options: **Must Specify**
 - 120: -120V (50-60Hz); load insensitive
 - 277: -277V (50-60Hz); load insensitive

IP65 Sealed & Gasketed Trim

- Liquid silicone seals between trim and lens
- O-rings seal stainless fasteners to trim
- Meets ASTM E283 restricted airflow of 2 CFM

Acrylic Enameled Aluminum Housing

- Rustproof: exceeds 1000 hour ASTM 5% salt spray test; all components fully sustainable
- Shallow depth fits restricted plenums
- Cool operation extends component life
- Modular design; visible and fully serviceable through aperture
- Built-in plaster flange

Outlet Box (Galvanized)

- UL listed J-box with insulated removable cover; prewired 14 GA (NEC) with 1/2" and 3/4" knockouts

Installation & Hardware

- Indoor/outdoor in covered locations in ceilings up to 1 1/8" thick
- Compatible with fire rated enclosures (by others)
- 27" galvanized hanger bars & adjustable mounting brackets (2) supplied

UL, C-UL (Canada) Listings

- Wet, damp or dry locations, covered ceilings
- Through-branch conductors (4 #12 AWG 90°C)

IEC & FCC Compliance

- Meets IEC/EN 60601-1-2 electromagnetic compatibility standard for medical electrical equipment
- FCC Part 15 certified for EMI/RFI emissions

FIVE YEAR Limited Warranty

- Complete standard fixture

Trim and Lens Assembly

- Ligature resistant smooth white seamless tapered aluminum self-flanged flare trim

Options and Ordering Configuration

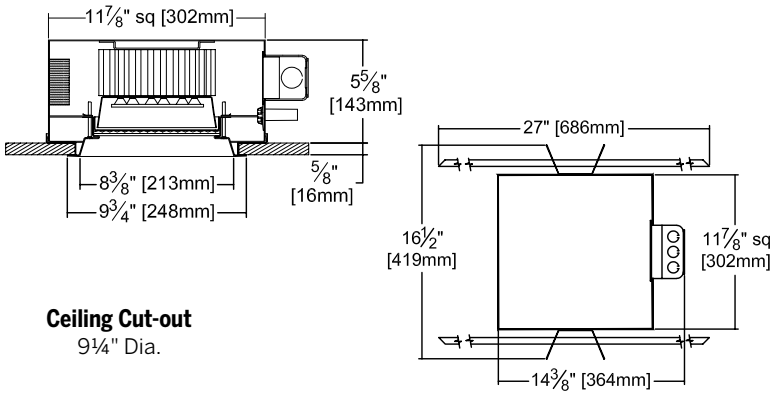
(Example: MRV-08845-2500L-120-30K-NFL)



Must Specify			Optional					
Model	Lumens	Volts	CCT & CRI	Beam	Driver Options	Emergency	Lens & Trim Options	Other Options
MRV-08845								
	-5000L -3500L -2500L	-120 -277 -97: Other voltage; consult factory	(Blank): 35K, 80+ CRI 80+ CRI -27K: 2700°K -30K: 3000°K -35K: 3500°K -41K: 4000°K -50K: 5000°K 90+ CRI -27K-HC: 2700°K -30K-HC: 3000°K -35K-HC: 3500°K -41K-HC: 4000°K -50K-HC: 5000°K	(Blank): MFL -NFL (0.6 SC) -WFL (1.1 SC)	(Blank): Standard 0-10V CCR 10% dim -D1: 0-10V 1.0% dim -D2: 0-10V 0.1% dim -D3: DALI 1.0% dim -D4: DALI 100-0.1% dim -D5: DMX512A 0.1% dim -ECO: For use with Lutron EcoSystem controls; dims to 1% or consult factory	(Blank): None EI: Remote emergency inverter for 50% of rated lumens (-5000L or -3500L); 90+ minutes; N/A for -2500L, option -FS EM: Internal emergency battery pack; delivers 500 lumens; 90+ minutes -ERH: Remote emergency battery pack; delivers 1000 lumens; 90+ minutes (CEC Compliant)	(Blank): White tamper-resistant trim, dual lens -35T: Silver enamel (complete trim); (non BioGard™) -94: Custom color/finish; specify; (non BioGard™); consult factory -BKBG: BioGard anti-microbial black -94BG: BioGard anti-microbial custom color finish -CF: Custom color filter (Rosco); specify -WA: White acrylic (flat) diffuser above poly instead of prismatic acrylic	(Blank): None Mounting -79: Extension collar; ceilings up to 2" thick Other Options -99: Special modification; consult factory -AWN: Athena Wireless Node; N/A for Dimming Options -D5, -ECO -FS: Fused primary; One per fixture -SH: Sealed housing and junction box; provides Cleanroom Rated luminaire (ISO 5 Class 100) *Note: For other integrated control solutions, such as nLight, contact factory

*See note next page

Dimensions



Ceiling Cut-out
9 3/4" Dia.

Infection Control Levels

Level	Option	Patient Safety	Infection Protection
2+	Standard	VR Vandal Resistant	BioGard™ IP65
3+	-SH	VR Vandal Resistant	BioGard™ IP65 ISO 5/ Class 100

LIMITED WARRANTY: KIRLIN FIXTURES ARE WARRANTED FREE OF DEFECTS IN WORKMANSHIP OR MATERIAL FOR THE PURCHASE DATE OF PURCHASE. INSTALLATION, MAINTENANCE, AND REPAIRS ARE THE RESPONSIBILITY OF THE END USER. THE PURCHASER SHALL BE RESPONSIBLE FOR THE PROTECTION OF THE FIXTURES FROM DAMAGE. THE PURCHASER SHALL BE RESPONSIBLE FOR THE PROTECTION OF THE FIXTURES FROM DAMAGE. THE PURCHASER SHALL BE RESPONSIBLE FOR THE PROTECTION OF THE FIXTURES FROM DAMAGE.

Photometry - Installed Complete Fixture

LM-79 IESNA Certified Photometry from Independent Lab

Photometry from UL Verification Services, Allentown, PA

-5000L (MFL)

Lumens: 4857
LPW: 81
Beam: ~46°
SC: 0.9
UL Test: 11356591.19

CANDLEPOWER DISTRIBUTION					
	0.0	22.5	45.0	67.5	90.0
0	5278	5278	5278	5278	5278
5	5549	5549	5549	5549	5549
15	5848	5848	5848	5848	5848
25	2728	2728	2728	2728	2728
35	954	954	954	954	954
45	500	500	500	500	500
55	289	289	289	289	289
65	147	147	147	147	147
75	40	40	40	40	40
85	6	6	6	6	6
90	1	1	1	1	1

Total System Watts 59.8

-5000L-NFL

Lumens: 4749
LPW: 80
Beam: ~32°
SC: 0.6
UL Test: 11356591.18

CANDLEPOWER DISTRIBUTION					
	0.0	22.5	45.0	67.5	90.0
0	8760	8760	8760	8760	8760
5	8283	8283	8283	8283	8283
15	5345	5345	5345	5345	5345
25	2447	2447	2447	2447	2447
35	1048	1048	1048	1048	1048
45	494	494	494	494	494
55	231	231	231	231	231
65	93	93	93	93	93
75	30	30	30	30	30
85	5	5	5	5	5
90	1	1	1	1	1

Total System Watts 59.5

-5000L-WFL

Lumens: 4432
LPW: 75
Beam: ~57°
SC: 1.1
UL Test: 11356591.20

CANDLEPOWER DISTRIBUTION					
	0.0	22.5	45.0	67.5	90.0
0	2181	2181	2181	2181	2181
5	2165	2165	2165	2165	2165
15	1987	1987	1987	1987	1987
25	1722	1722	1722	1722	1722
35	1429	1429	1429	1429	1429
45	1113	1113	1113	1113	1113
55	727	727	727	727	727
65	349	349	349	349	349
75	103	103	103	103	103
85	16	16	16	16	16
90	1	1	1	1	1

Total System Watts 59.3

-3500L (MFL)

Lumens: 3896
LPW: 87
Beam: ~46°
SC: 0.9
UL Test: 11356591.19S

CANDLEPOWER DISTRIBUTION					
	0.0	22.5	45.0	67.5	90.0
0	4233	4233	4233	4233	4233
5	4451	4451	4451	4451	4451
15	4690	4690	4690	4690	4690
25	2188	2188	2188	2188	2188
35	765	765	765	765	765
45	401	401	401	401	401
55	232	232	232	232	232
65	118	118	118	118	118
75	32	32	32	32	32
85	5	5	5	5	5
90	1	1	1	1	1

Total System Watts 44.7

-3500L-NFL

Lumens: 2808
LPW: 86
Beam: ~32°
SC: 0.6
UL Test: 11356591.18S

CANDLEPOWER DISTRIBUTION					
	0.0	22.5	45.0	67.5	90.0
0	7025	7025	7025	7025	7025
5	6643	6643	6643	6643	6643
15	4287	4287	4287	4287	4287
25	1963	1963	1963	1963	1963
35	840	840	840	840	840
45	396	396	396	396	396
55	186	186	186	186	186
65	75	75	75	75	75
75	24	24	24	24	24
85	4	4	4	4	4
90	0	0	0	0	0

Total System Watts 44.5

-3500L-WFL

Lumens: 3555
LPW: 80
Beam: ~57°
SC: 1.1
UL Test: 11356591.20S

CANDLEPOWER DISTRIBUTION					
	0.0	22.5	45.0	67.5	90.0
0	1749	1749	1749	1749	1749
5	1737	1737	1737	1737	1737
15	1594	1594	1594	1594	1594
25	1381	1381	1381	1381	1381
35	1146	1146	1146	1146	1146
45	892	892	892	892	892
55	583	583	583	583	583
65	280	280	280	280	280
75	82	82	82	82	82
85	13	13	13	13	13
90	1	1	1	1	1

Total System Watts 44.4

*LED manufacturers maintain a tolerance of +/-7% on flux (lumens) and power (electrical) measurements.

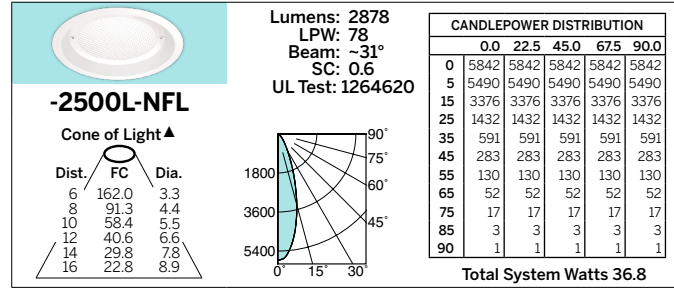
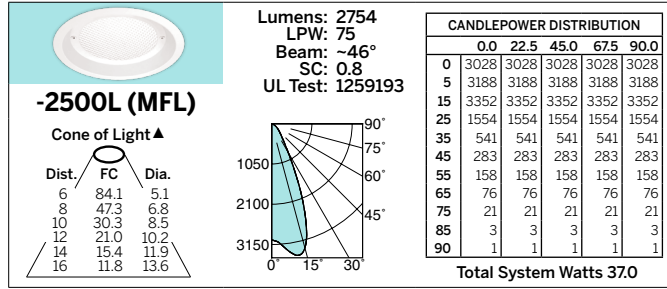
See following page for -2500L performance

▲ Cone of Light Key
Dist. (in ft.) from fixture
FC Footcandles at nadir (0°)
Dia. Circle of light at 50% of FC

Detailed Photometry - Installed Fixture

Photometry from UL Verification Services, Allentown, PA

LM-79 IESNA Certified Photometry from Independent Lab



*LED manufacturers maintain a tolerance of +/-7% on flux (lumens) and power (electrical) measurements.

LIMITED WARRANTY: CATALOGED KIRLIN FIXTURES ARE WARRANTED FREE OF DEFECTS IN WORKMANSHIP OR MATERIAL FOR FIVE YEARS FROM DATE OF PURCHASE. INSTALLED TO N.E.C. IN NORMAL USE. Manufacturer at his option will replace or repair such fixture or refund the purchase price on presentation of proof of purchase and defective fixture at the offices of manufacturer within five years of original shipment. Liability of manufacturer is limited to the foregoing, and manufacturer shall not be liable for any other damages, direct or indirect, sustained or suffered by purchaser or any person. This warranty is void where prohibited by law. Seller does not warrant as to merchantability or fitness for a particular use, nor will any oral statement constitute a warranty or amend this specific warranty. Abnormal use, abuse of the fixture, improper installation, or repair, or modification of the fixture without prior written authorization from the manufacturer will render the warranty void.

▲ Cone of Light Key Dist. Distance (Ft.) from fixture
 Dia. (in ft.) shown is where FC FC Footcandles at nadir (0°)
 value is half the FC at nadir. Dia. Circle of light at 50% of FC