

CATALOG #	TYPE	
JOB NAME	WATTAGE	VOLTAGE

# Lighting for Patient Spaces

## Psychiatric Adjustable 8" LED Exam Light

Up to 60,000 Hour Rated Life • ISO 5/Class 100 Clean Room (-SH)  
Antimicrobial Trim • LM-80 Qualified • LM-79 Certified Photometry

# MRV-08545



## Specifications

### Delivered System Performance\*

- Lumen Series: **Must Specify**
  - 5000L (55W)
  - 3500L (42W)
- Distribution: NFL
- Color temperature: 3500°K standard; optional: -27K, -30K or -41K
- CRI: 80+ standard; optional: -HC (90+)
- 60,000 Hour Rated Life (L70)
- Fully sustainable: removable for servicing

### Thermal Protection: SPECIFY VOLTAGE

- Thermal protector for insulation detection per UL/NEC; must specify input voltage

### Thermal Management System

- Aluminum heat sink and components for cool operation, long life, and low maintenance

### Center Beam Optics

- Self-aligns with trim for optimal performance
- Hot aiming by hand; tilts from 0° to 35° in 1° increments and locks in place
- Rotates full 360° and locks in place
- Accommodates sloped ceilings up to 35°

### LED Driver - INTERNAL

- Indoor/Outdoor: -30°C to 60°C (-22°F to 140°F)
- 0-10V CCR dimming standard (100-10%)

- Voltage Options: **Must Specify**
  - 120: -120V (50-60Hz); load insensitive
  - 277: -277V (50-60Hz); load insensitive

### Trim and Lens Assembly

- Vandal resistant smooth seamless tapered aluminum self-flanged flare trim
- Kirlin BioGard™ antimicrobial white finish continuously inhibits growth of bacteria on the coating of the trim
- Flush center pin tamperproof hex screws and captive nuts secure trim to housing
- Regressed tempered microprismatic above 1/8" clear flat polycarbonate lens
- Continuous ring secures lenses to trim
- Tamperproof tool included

### IP65 Sealed & Gasketed Trim

- Liquid silicone seals between trim and lens
- O-rings seal stainless fasteners to trim
- Meets ASTM E283 restricted airflow of 2CFM

### Acrylic Enameled Aluminum Housing

- Rustproof: exceeds 1000 hour ASTM 5% salt spray test; all components fully sustainable
- Shallow depth for restricted plenums
- Cool operation extends component life
- Modular design; visible and fully serviceable through aperture
- Built-in plaster flange

### Outlet Box (Galvanized)

- UL listed J-box with insulated removable cover; prewired 14 GA (NEC) with 1/2" and 3/4" knockouts

### Installation & Hardware

- Indoor/outdoor in ceilings up to 1 1/8" thick
- Compatible with fire rated enclosures (by others)
- 27" galvanized hanger bars & adjusting brackets (2) supplied

### UL, C-UL (Canada) Listings

- Wet, damp or dry locations, covered ceilings
- Through-branch conductors (4 #12 AWG 90°C)

### IEC & FCC Compliance

- Meets IEC/EN 60601-1-2 electromagnetic compatibility standard for medical electrical equipment
- FCC Part 15 certified for EMI/RFI emissions

### FIVE YEAR Limited Warranty

- Complete standard fixture

## Options and Ordering Configuration

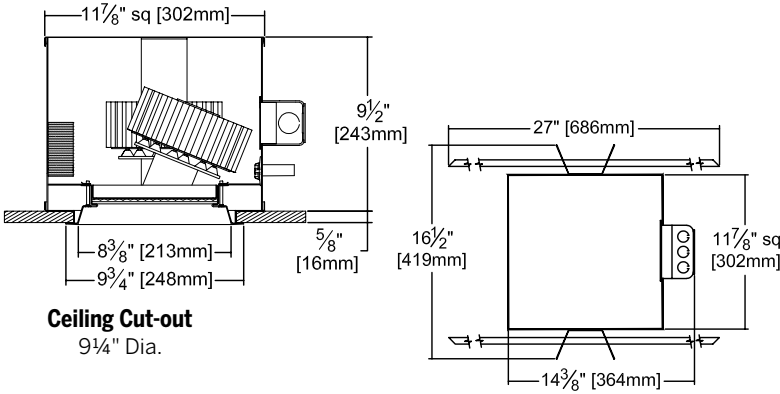
(Example: MRV-08545-5000L-120-30K-MFL)



Must Specify			Optional					
Model	Lumens	Volts	CCT & CRI	Beam	Driver Options	Emergency	Trim & Lens Options	Other Options
MRV-08545	-5000L	-120	(Blank): 35K, 80+ CRI	(Blank): NFL	(Blank): Standard 0-10V CCR 10% dim	(Blank): None	(Blank): White tamper-resistant trim, dual lens	(Blank): None
	-3500L	-277	80+ CRI	-MFL	-D1: 0-10V 1.0% dim	-EI: Remote emergency inverter for 50% of rated lumens; 90+ minutes; 60Hz input only; N/A for option -FS	Trim Finishes	-99: Special modification; consult factory
		-97: Other voltage; consult factory	-27K: 2700°K		-D2: 0-10V 0.1% dim	-ERH: Remote emergency battery pack; delivers 1000 lumens; 90+ minutes (CEC Compliant)	-BKBG: BioGard™ antimicrobial black	-AWN: Athena Wireless Node; N/A for Dimming Options, -D5 -ECO
			-30K: 3000°K		-D3: DALI 1.0% dim		-94BG: BioGard™ antimicrobial custom color finish	-FS: Fused primary; One per fixture; not for use with option -EI
			-35K: 3500°K		-D4: DALI 100-0.1% dim			-SH: Sealed housing and J-box; provides Cleanroom Rated luminaire (ISO 5 Class 100)
			-41K: 4000°K		-D5: DMX512A 0.1% dim			*Note: For other integrated control solutions, such as nLight, contact factory
			-50K: 5000°K		-ECO: For use with Lutron EcoSystem controls; dims to 1% or consult factory			
			90+ CRI					
			-27K-HC: 2700°K					
			-30K-HC: 3000°K					

\*See note next page

## Dimensions



## Infection Control Levels

Level	Option	Patient Safety	Infection Protection
2+	Standard	<b>VR</b> Vandal Resistant	BioGard™ IP65
3+	-SH	<b>VR</b> Vandal Resistant	BioGard™ IP65 ISO 5/ Class 100

## Footcandle Distribution Data

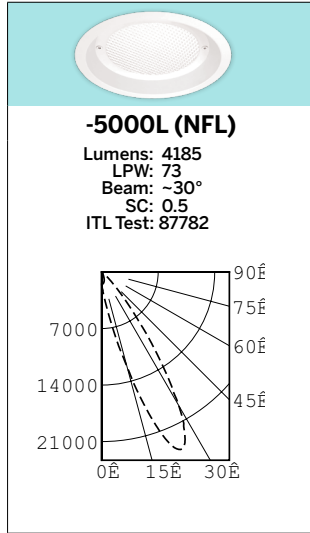
### Notes:

- All lighting levels are expressed in average footcandles, with distances expressed in feet, as measured at the work plane (3'6")
- The work plane (3'6") is defined as: examination bed height, plus patient body depth

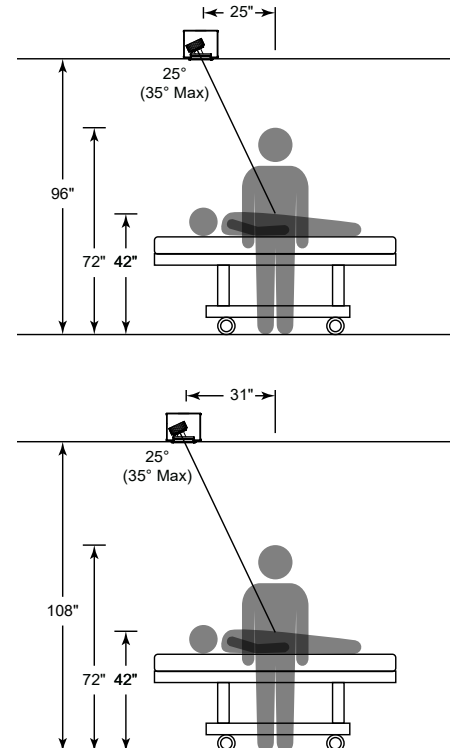
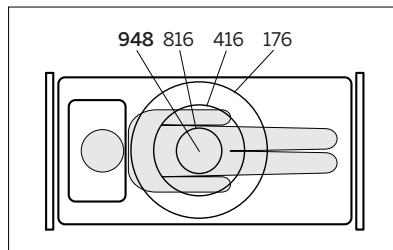
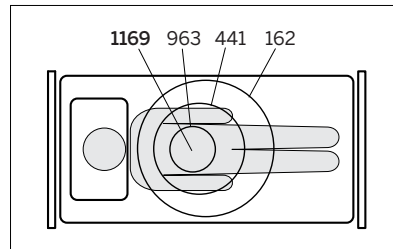
## Photometry - Installed Complete Fixture

Photometry from I.T.L., Boulder, CO

LM-79 IESNA Certified Photometry from Independent Lab



Total System Watts 573



\*LED manufacturers maintain a tolerance of +/-7% on flux (lumens) and power (electrical) measurements.

See following page for -3500L performance

LIMITED WARRANTY: KIRLIN EXTINGUISHERS ARE WARRANTED FREE OF DEFECTS IN WORKMANSHIP OR MATERIAL FOR FIVE YEARS FROM DATE OF PURCHASE. INSTALLED TO N.E.C. / IN-NORMAL USE. Manufacturer at the option will replace or repair such fixture or extend the purchase price on presentation of proof of purchase and evidence of failure at the office of manufacturer within the warranty period. Liability of manufacturer is limited to the foregoing and manufacturer shall not be liable for any other damages, direct or indirect, sustained or suffered by purchaser or any person. This warranty is applied to the buyer in place of all other warranties, expressed or implied. Seller does not warrant as to merchantability or fitness for a particular use, nor will any oral statement constitute a warranty or amend this specific warranty. Abnormal use, abuse of the fixture, improper installation, or repair or modification of the fixture without prior written authorization from the manufacturer will render the warranty void. PATIENT SPACES NOVEMBER 2024

LIMITED WARRANTY: CATALOGED KIRLIN FIXTURES ARE WARRANTED FREE OF DEFECTS IN WORKMANSHIP OR MATERIAL FOR FIVE YEARS FROM DATE OF PURCHASE. INSTALL TO N.E.C. IN NORMAL USE. MANUFACTURER AT HIS OPTION WILL REPLACE OR REPAIR SUCH FIXTURE OR RETURN IT TO THE BUYER AT HIS OPTION. THIS WARRANTY DOES NOT COVER DEFECTS CAUSED BY IMPROPER INSTALLATION, REPAIR, OR MODIFICATION OF THE FIXTURE WITHOUT PRIOR WRITTEN AUTHORIZATION FROM THE MANUFACTURER. SELLER DOES NOT WARRANT AS TO MERCHANTABILITY OR FITNESS FOR A PARTICULAR USE, NOR WILL ANY ORAL STATEMENT CONSTITUTE A WARRANTY OR AMEND THIS SPECIFIC WARRANTY. ABNORMAL USE, ABUSE OF THE FIXTURE, IMPROPER INSTALLATION, OR REPAIR, OR MODIFICATION OF THE FIXTURE WITHOUT PRIOR WRITTEN AUTHORIZATION FROM THE MANUFACTURER WILL RENDER THE WARRANTY VOID. PATIENT SPACES NOVEMBER 2024

## Footcandle Distribution Data

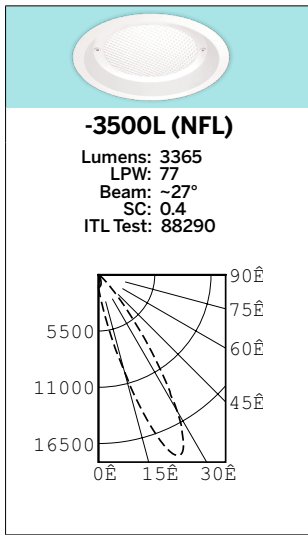
### Notes:

- All lighting levels are expressed in average footcandles, with distances expressed in feet, as measured at the work plane (3'6")
- The work plane (3'6") is defined as: examination bed height, plus patient body depth

## Photometry - Installed Complete Fixture

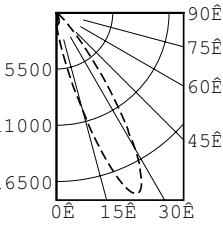
Photometry from I.T.L., Boulder, CO

LM-79 IESNA Certified Photometry from Independent Lab

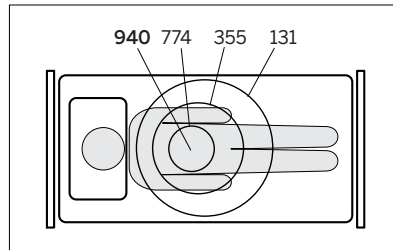


**-3500L (NFL)**

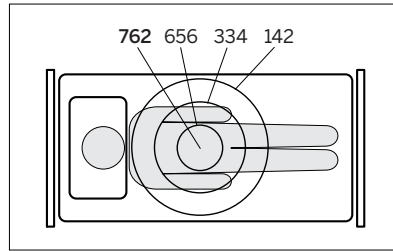
Lumens: 3365  
LPW: 77  
Beam: ~27°  
SC: 0.4  
ITL Test: 88290



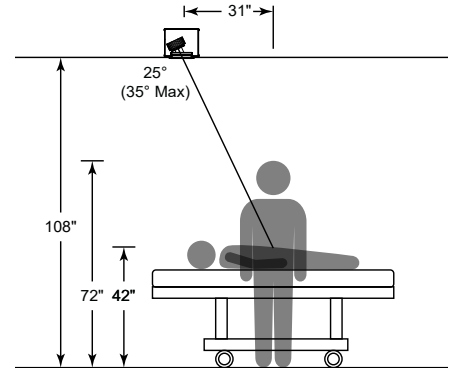
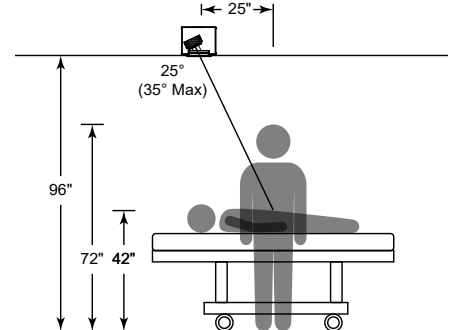
Total System Watts 42.8



fc on Task: 8' Ceiling 3'6" Work Plane



fc on Task: 8'6" Ceiling 3'6" Work Plane



\*LED manufacturers maintain a tolerance of +/-7% on flux (lumens) and power (electrical) measurements.