

| | | |
|-----------|---------|---------|
| CATALOG # | TYPE | |
| JOB NAME | WATTAGE | VOLTAGE |

Lighting for Patient Spaces

Vandal IP65 Sealed & Gasketed 7" LED Downlight

Up to 60,000 Hour Life • Wet Location
LM-80 Qualified • LM-79 Certified Photometry

MRV-07843



Specifications

Delivered System Performance*

- Lumen Series: **Must Specify**
-2500L (35W)
- Distribution: MFL standard;
optional: -NFL
- Color temperature: 3500°K standard;
optional: -27K, -30K, -41K, or -50K
- CRI: 80+ standard; optional: -HC (90+)
- 60,000 hour life (L70)
- Fully sustainable: removable for servicing

Thermal Protection: SPECIFY VOLTAGE

Thermal protector for insulation detection per UL/NEC; must specify input voltage

Thermal Management System

- Aluminum heat sink and components for cool operation, long life, and low maintenance

LED Driver - INTERNAL

- Indoor/Outdoor: -30°C to 60°C (-22°F to 140°F)
- 0-10V CCR dimming standard (100-10%)
- Voltage Options: **Must Specify**
-120: -120V (50-60Hz); load insensitive
-277: -277V (50-60Hz); load insensitive

Trim and Lens Assembly

- Ligature resistant smooth white seamless tapered aluminum self-flanged rigid cast trim

- Kirlin BioGard™ antimicrobial white finish continuously inhibits growth of bacteria on the coating of the trim
- Flush center pin tamperproof hex screws and captive nuts secure trim to housing; tamperproof tool included
- High strength prismatic acrylic above 1/8" clear flat polycarbonate
- Continuous ring secures lens to trim

IP65 Sealed & Gasketed Trim

- Liquid silicone seals between trim and lens
- O-rings seal stainless fasteners to trim
- Meets ASTM E283 restricted airflow of 2 CFM

Acrylic Enameled Aluminum Housing

- Rustproof: exceeds 1000 hour ASTM 5% salt spray test; all components fully sustainable
- Shallow depth fits restricted plenums
- Cool operation extends component life
- Modular design; visible and fully serviceable through aperture
- Built-in plaster flange

Outlet Box (Galvanized)

- UL listed J-box with insulated removable cover; prewired 14 GA (NEC) with 1/2" and 3/4" knockouts

Installation & Hardware

- Indoor/outdoor in covered locations in ceilings up to 1 1/8" thick
- Compatible with fire rated enclosures (by others)
- 27" galvanized hanger bars & adjustable mounting brackets (2) supplied

UL, C-UL (Canada) Listings

- Wet, damp or dry locations, covered ceilings
- Through-branch conductors (4 #12 AWG 90°C)

IEC & FCC Compliance

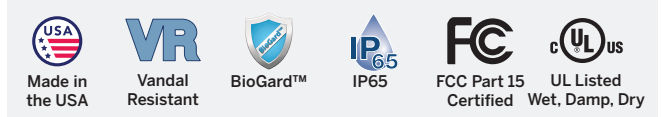
- Meets IEC/EN 60601-1-2 electromagnetic compatibility standard for medical electrical equipment
- FCC Part 15 certified for EMI/RFI emissions

FIVE YEAR Limited Warranty

- Complete standard fixture

Options and Ordering Configuration

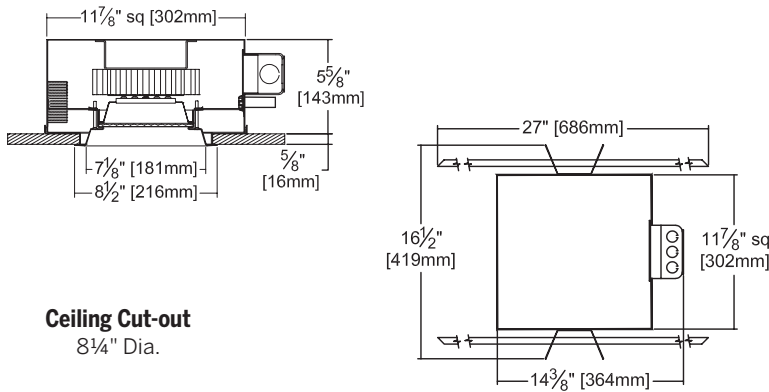
(Example: MRV-07843-2500L-120-30K-NFL)



| Must Specify | | | Optional | | | | | |
|--------------|--------|---|--|---------------------------------|---|--|---|--|
| Model | Lumens | Volts | CCT & CRI | Beam | Driver Options | Emergency | Lens & Trim Options | Other Options |
| MRV-07843 | -2500L | -120 -277 -97: Other voltage; consult factory | (Blank): 35K, 80+ CRI 80+ CRI -27K: 2700°K -30K: 3000°K -35K: 3500°K -41K: 4100°K -50K: 5000°K 90+ CRI -27K-HC: 2700°K -30K-HC: 3000°K -35K-HC: 3500°K -41K-HC: 4100°K -50K-HC: 5000°K | (Blank): MFL -NFL | (Blank): Standard 0-10V CCR 10% dim -D1: 0-10V 1.0% dim -D2: 0-10V 0.1% dim -D3: DALI 1.0% dim -D4: DALI 100-0.1% dim -D5: DMX512A 0.1% dim -ECO: For use with Lutron EcoSystem controls; dims to 1% or consult factory | (Blank): None EM: Internal emergency battery pack; delivers 500 lumens; 90+ minutes -ERH: Remote emergency battery pack; delivers 1000 lumens; 90+ minutes (CEC Compliant) | (Blank): White tamper-resistant trim, dual lens -35T: Silver enamel (complete trim); (non BioGard™) -94: Custom color/finish; specify; (non BioGard™); consult factory -CF: Custom color filter (Rosco); specify -WA: White acrylic (flat) diffuser above poly instead of prismatic acrylic | (Blank): None Mounting -79: Extension collar; ceilings up to 2" thick Other Options -99: Special modification; consult factory -FS: Fused primary; One per fixture |

*See note next page

Dimensions



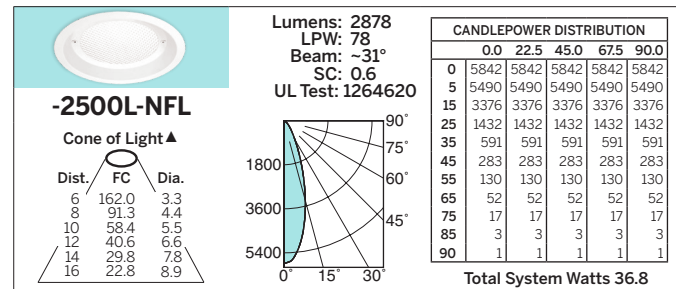
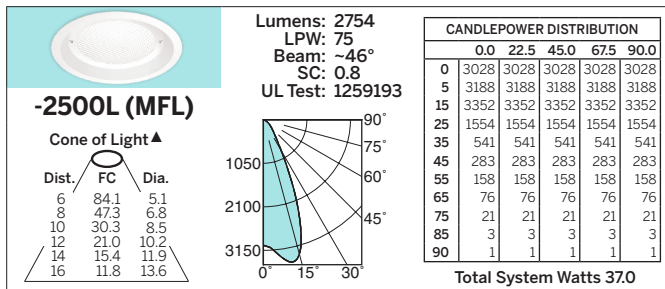
Infection Control Levels

| Level | Option | Patient Safety | Infection Protection |
|-------|----------|-------------------------------|--------------------------------|
| 2+ | Standard | VR Vandal Resistant | BioGard™ IP65 |

Photometry - Installed Complete Fixture

Photometry from UL Verification Services, Allentown, PA

LM-79 IESNA Certified Photometry from Independent Lab



*LED manufacturers maintain a tolerance of +/-7% on flux (lumens) and power (electrical) measurements.

LIMITED WARRANTY: KIRLIN LIGHTING FIXTURES ARE WARRANTED FREE OF DEFECTS IN WORKMANSHIP OR MATERIAL FOR THE YEARS FROM DATE OF PURCHASE. INSTALLED TO N.E.C. IN NORMAL USE. Manufacturer at the option will replace or repair such fixture or refund the purchase price on presentation of proof of purchase and defective fixture at the office of manufacturer within the years of original shipment. Liability of manufacturer is limited to the foregoing and manufacturer shall not be liable for any other damages, direct or indirect, sustained or suffered by purchaser or any person. This warranty is supplied to the buyer in place of all other warranties, expressed or implied. Seller does not warrant as to merchantability or fitness for a particular use, nor will any oral statement constitute a warranty or amend this specific warranty. Abnormal use, abuse of the fixture, improper installation, or repair or modification of the fixture without prior written authorization from the manufacturer will render the warranty void.

▲ Cone of Light Key
 Dia. (in ft.) shown is where FC value is half the FC at nadir.
 Dist. Distance (Ft.) from fixture
 FC Footcandles at nadir (0°)
 Dia. Circle of light at 50% of FC

PATENT SPACES
REV FEB 2023