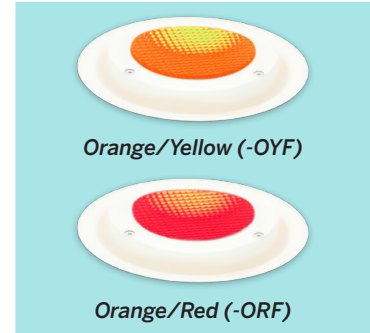


CATALOG #	TYPE	
JOB NAME	WATTAGE	VOLTAGE

Lighting for Patient Spaces

Ligature/Vandal Resistant 6" Observation Light
 Circadian-Supporting Color • Type IC • 1% Dimming • LM-80 Qualified
 LM-79 Certified • Optional IP66 Sealed Trim or Cleanroom Rated

MRV-06864



Specifications

Delivered System Performance*

- Color and Output: **Must Specify**
 -See table below
 -For delivered lumens, see page 2
- Distribution: WFL standard
- 50,000 (L70) hour life
- Fully sustainable: removable for servicing

LED Driver - INTERNAL

- Indoor/Outdoor: -30°C to 60°C (-22°F to 140°F)
- 0-10V CCR dimming standard (100-1%)
- Voltage Options: **Must Specify**
-120: -120V (50-60Hz); load insensitive
-277: -277V (50-60Hz); load insensitive

IK10 Trim/Lens - Ligature/Vandal Resistant

- Ligature resistant smooth white seamless tapered aluminum self-flanged rigid cast trim
- Kirlin BioGard™ antimicrobial white finish continuously inhibits growth of bacteria on the coating of the trim
- Flush center pin tamperproof hex screws and captive nuts secure trim to housing; tamperproof tool included
- High strength prismatic acrylic (.187") above clear flat polycarbonate lens (.220"); also see -DA
- Continuous ring secures lens to trim

- IP66 Rated sealed trim, see Option -I66
- Cleanroom Rated luminaire, see Option -SH
- Field paintable trim

Shallow 4 1/4" Aluminum Housing

- Rustproof: exceeds 1000 hour ASTM 5% salt spray test; all components fully sustainable
- Shallow depth fits restricted plenums
- Cool operation extends component life
- Modular design; visible and fully serviceable through aperture
- Built-in plaster flange

Outlet Box (Galvanized)

- UL listed J-box with insulated removable cover; prewired 14 GA (NEC) with 1/2" and 3/4" knockouts

Installation & Hardware

- Indoor/outdoor in covered locations in ceilings up to 1 1/8" thick
- Compatible with fire rated enclosures (by others)

- 27" galvanized hanger bars & adjustable mounting brackets (2) supplied

UL, C-UL (Canada) Listings

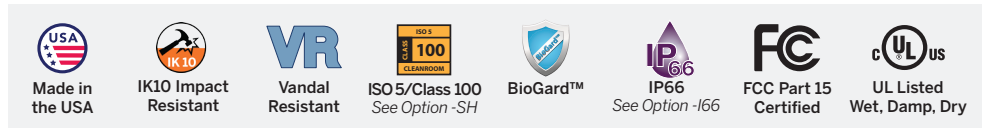
- Wet, damp or dry locations, covered ceilings
- Type IC: for direct contact with insulation
- Through-branch conductors (4 #12 AWG 90°C)

FCC Compliance

- FCC Part 15 certified for EMI/RFI emissions

FIVE YEAR Limited Warranty

- Complete standard fixture



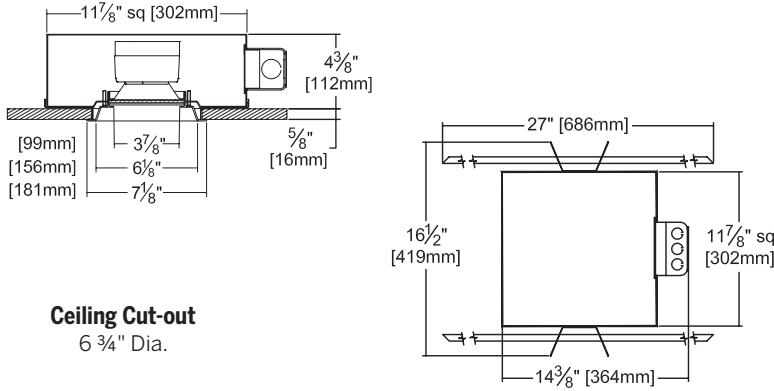
Options and Ordering Configuration

(Example: MRV-06864-OYF-MO-SH)

Must Specify			Optional			
Model	Color	Output <i>(See Page 2 for Lumens)</i>	Infection Controls <i>(See Page 2)</i>	Emergency	Lens & Trim Options	Other Options
MRV-06864	-OYF: Orange/Yellow (590nm equivalent) -ORF: Orange/Red (617nm equivalent)	-HO: High output (20W) -MO: Medium output (15W) -LO: Low output (11W)	(Blank): BioGard™ antimicrobial finish -I66: IP66 Rated trim -SH: Cleanroom rated ISO 5 Class 100 luminaire; sealed-housing, J-Box, trim assembly NOTE: Housing depth increases to 5.66	(Blank): None -EI: Remote emergency inverter for 100% of rated lumens; 90+ minutes; N/A for option -FS	(Blank): White tamper-resistant trim, high strength dual lens -94: Custom color/finish; specify; (non BioGard™); consult factory -BN: Brushed nickel cast trim instead (non BioGard™) -DA: Diffuse acrylic lens above poly instead of prismatic acrylic	(Blank): None -99: Special modification; consult factory -FS: Fused primary; One per fixture; not for use with Option -EI

*See note next page

Dimensions



Infection Control Levels

Level	Option	Patient Safety	Infection Protection
1+	Standard	VR Vandal Resistant	BioGard™
2+	-166	VR Vandal Resistant	BioGard™ IP66
3+	-166 -SH	VR Vandal Resistant	BioGard™ IP66 ISO 5/ Class 100

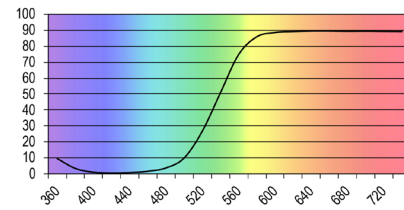
Photometry - Installed Complete Fixture

LM-79 IESNA Certified Photometry from Independent Lab

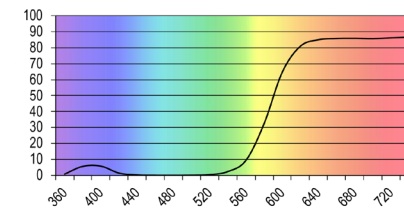
Photometry from I.T.L., Boulder, CO

Delivered Lumens	-OYF: Orange/Yellow	-ORF: Orange/Red
-HO: High Output (20W)	542L	217L
-MO: Med. Output (15W)	406L	162L
-LO: Low Output (11W)	298L	119L

-OYF Spectral Performance



-ORF Spectral Performance



MRV-06864-ORF-HO
Orange/Red High Output (WFL)

Lumens: 217
LPW: 11
Beam: ~56°
SC: 1.1
ITL Test: 93805

Cone of Light ▲

Dist.	FC	Dia.
6	3.1	6.4
8	1.7	8.6
10	1.1	10.7
12	0.8	12.9
14	0.6	15.0
16	0.4	17.1

CANDLEPOWER DISTRIBUTION					
	0.0	22.5	45.0	67.5	90.0
0	111	111	111	111	111
5	109	109	109	109	109
15	99	99	99	99	99
25	85	85	85	85	85
35	71	71	71	71	71
45	55	55	55	55	55
55	38	38	38	38	38
65	16	16	16	16	16
75	3	3	3	3	3
85	1	1	1	1	1
90	0	0	0	0	0

Total System Watts 20.1

*LED manufacturers maintain a tolerance of +/-7% on flux (lumens) and power (electrical) measurements.

▲ Cone of Light Key
Dia. (in ft.) shown is where FC value is half the FC at nadir.

Dist. Distance (Ft.) from fixture
FC Footcandles at nadir (0°)
Dia. Circle of light at 50% of FC