

CATALOG #	TYPE	
JOB NAME	WATTAGE	VOLTAGE

Lighting for Patient Spaces

Tunable White 6" Ligature/Vandal Resistant Wall Wash
 Up to 90,000 Hour Life • Type IC • 0.1% Dimming • 2700-6500 CCT
 Level 1+/2+/3+ Protection • LM-80 Qualified • LM-79 Certified

MRV-06788

Specifications

Delivered System Performance*

- Lumen Series: **Must Specify -2000L** (25W)
- Color tunable range: 2700 - 6500°K
- CRI: 80+ across full CCT range
- Distribution: WFL standard
- 30 watts nominal power consumption
- Optics positioned at 25°
- 90,000 hour life (L70**)
- Fully sustainable: removable for servicing

Thermal Management System

- Aluminum heat sink and components for cool operation, long life, and low maintenance

LED Driver - INTERNAL

- Indoor/Outdoor: -30°C to 50°C (-22°F to 122°F)
- 0-10V CCR dimming standard (100-0.1%)
- 0-10V color tuning standard
- Voltage Options: **Must Specify**
-120: -120V (50-60Hz); load insensitive
-277: -277V (50-60Hz); load insensitive

Trim and Lens Assembly

- Ligature resistant smooth white seamless tapered aluminum self-flanged rigid cast trim
- Kirlin BioGard™ antimicrobial white finish continuously inhibits growth of bacteria on the coating of the trim

- Flush center pin tamperproof hex screws and captive nuts secure trim to housing; tamperproof tool included
- High strength diffuse acrylic above .220" clear flat polycarbonate lens
- Continuous ring secures lens to trim

Acrylic Enameled Aluminum Housing

- Rustproof: exceeds 1000 hour ASTM 5% salt spray test; all components fully sustainable
- Shallow depth fits restricted plenums
- Cool operation extends component life
- Modular design; visible and fully serviceable through aperture
- Built-in plaster flange

Outlet Box (Galvanized)

- UL listed J-box with insulated removable cover; prewired 14 GA (NEC) with 1/2" and 3/4" knockouts

Installation & Hardware

- Indoor/outdoor in covered locations in ceilings up to 1 1/8" thick
- 27" galvanized hanger bars & adjustable mounting brackets (2) supplied



UL, C-UL (Canada) Listings

- Wet, damp or dry locations, covered ceilings
- Type IC: for direct contact with insulation
- Through-branch conductors (4 #12 AWG 90°C)

IEC & FCC Compliance

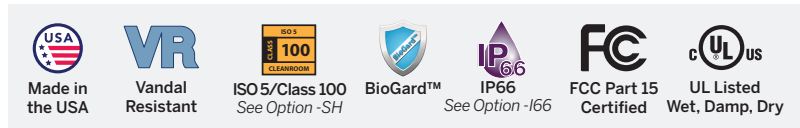
- Meets IEC/EN 60601-1-2 electromagnetic compatibility standard for medical electrical equipment
- FCC Part 15 certified for EMI/RFI emissions

FIVE YEAR Limited Warranty

- Complete standard fixture

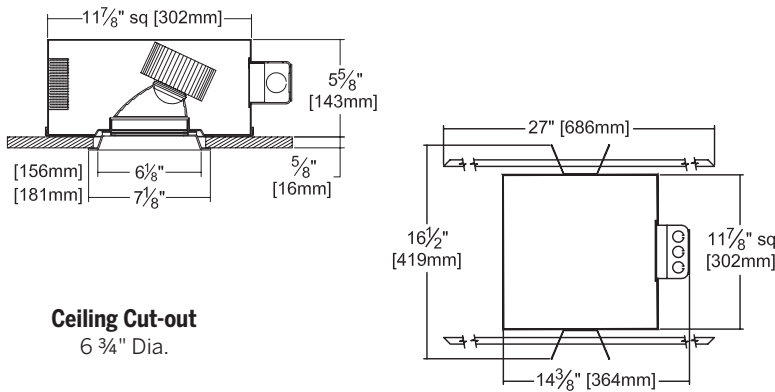
Options and Ordering Configuration

(Example: MRV-06788-2000L-D5-I66-SH)



Must Specify			Optional									
Model	Lumens	Volts	CCT & CRI	Driver Options	Lens & Trim Options	Other Options						
MRV-06788	-2000L	-120 -277	(Blank): 6500°K - 2700°K Tunable White, 80+ CRI	(Blank): Standard 0-10V CCR 0.1% dim -D5: DMX512A 1.0% dim -D7: DALI dual drive 0.1% dimming driver instead -D8: DALI DT8 dual drive 0.1% dimming driver instead -PSQ: Lutron T-Series controls instead	(Blank): White tamper-resistant trim, high strength dual lens -35T: Silver enamel (complete trim); (non BioGard™) -94: Custom color/finish; specify; (non BioGard™); consult factory -BN: Brushed nickel cast trim instead (non BioGard™) -I66: IP66 Rated trim; also see Option -SH	(Blank): None -99: Special modification; consult factory -FS: Fused primary; One per fixture -SH: Sealed housing and junction box; provides Cleanroom Rated luminaire (ISO 5 Class 100); must be used with Option -I66						
*See note next page												
<table border="1"> <tr> <th colspan="2">Projected L70** for Kirlin Luminaires</th> </tr> <tr> <td>In Open Plenum</td> <td>90,000 hours</td> </tr> <tr> <td>In Insulation (Type IC)</td> <td>60,000 hours</td> </tr> </table>							Projected L70** for Kirlin Luminaires		In Open Plenum	90,000 hours	In Insulation (Type IC)	60,000 hours
Projected L70** for Kirlin Luminaires												
In Open Plenum	90,000 hours											
In Insulation (Type IC)	60,000 hours											
**Hours at 70% lumen maintenance												

Dimensions



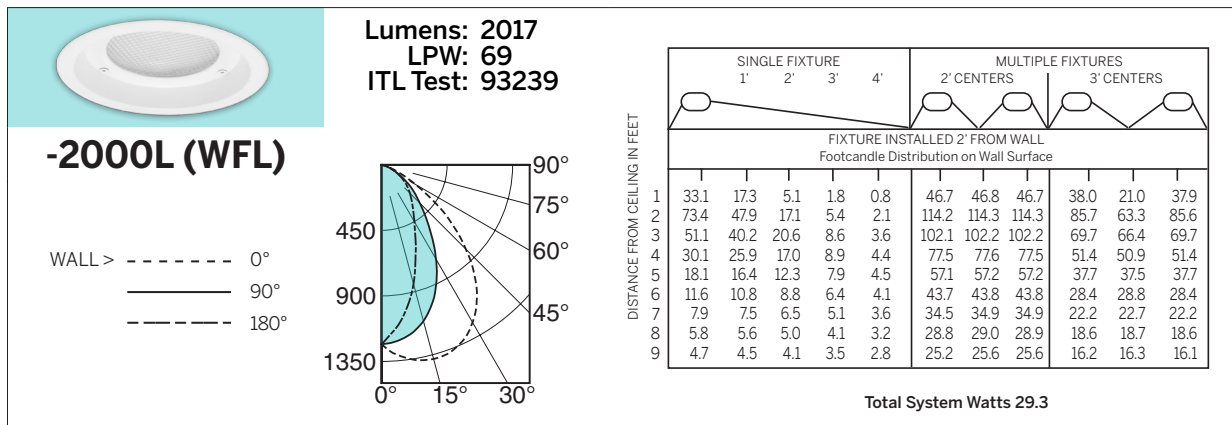
Infection Control Levels

Level	Option	Patient Safety	Infection Protection
1+	Standard	VR Vandal Resistant	BioGard™
2+	-166	VR Vandal Resistant	BioGard™ IP66
3+	-166 -SH	VR Vandal Resistant	BioGard™ IP66 ISO 5/ Class 100

Photometry - Installed Complete Fixture

Photometry from I.T.L., Boulder, CO

LM-79 IESNA Certified Photometry from Independent Lab



*LED manufacturers maintain a tolerance of +/-7% on flux (lumens) and power (electrical) measurements.

LIMITED WARRANTY: CATALOGED KIRLIN FIXTURES ARE WARRANTED FREE OF DEFECTS IN WORKMANSHIP OR MATERIAL FOR THE YEARS FROM DATE OF PURCHASE. INSTALLED TO N.E.C. - IN NORMAL USE. Manufacturer at the option will replace or repair such fixture or refund the purchase price on presentation of proof of purchase and defective fixture to the offices of manufacturer within the years of original shipment. Liability of manufacturer shall not be liable for any other damages, direct or indirect, sustained or suffered by purchaser or any person. This warranty is applied to the buyer in place of all other warranties, expressed or implied. Seller does not warrant as to merchantability or fitness for a particular use, nor will any oral statement constitute a warranty or amend this specific warranty. Abnormal use, abuse of the fixture, improper installation, or repair or modification of the fixture without prior written authorization from the manufacturer will render the warranty void. PATENT SPACES JUNE 2023