

CATALOG #	TYPE	
JOB NAME	WATTAGE	VOLTAGE

# Lighting for Patient Spaces

**Tunable White 6" Ligature/Vandal Resistant Downlight**  
 Up to 90,000 Hour Life • Type IC • 0.1% Dimming • 2700-6500 CCT  
 Level 1+/2+/3+ Protection • LM-80 Qualified • LM-79 Certified

## MRV-06785



### Specifications

#### Delivered System Performance\*

- Lumen Series: **Must Specify -2000L** (25W)
- Color tunable range: 2700 - 6500°K
- CRI: 80+ across full CCT range
- Distribution: WFL standard
- 30 watts nominal power consumption
- 90,000 hour life (L70\*\*)
- Fully sustainable: removable for servicing

- Flush center pin tamperproof hex screws and captive nuts secure trim to housing; tamperproof tool included
- High strength diffuse acrylic above .220" clear flat polycarbonate lens
- Continuous ring secures lens to trim

#### Thermal Management System

- Aluminum heat sink and components for cool operation, long life, and low maintenance

#### LED Driver - INTERNAL

- Indoor/Outdoor: -30°C to 50°C (-22°F to 122°F)
- 0-10V CCR dimming standard (100-0.1%)
- 0-10V color tuning standard
- Voltage Options: **Must Specify**  
**-120:** -120V (50-60Hz); load insensitive  
**-277:** -277V (50-60Hz); load insensitive

#### Acrylic Enameled Aluminum Housing

- Rustproof: exceeds 1000 hour ASTM 5% salt spray test; all components fully sustainable
- Shallow depth fits restricted plenums
- Cool operation extends component life
- Modular design; visible and fully serviceable through aperture
- Built-in plaster flange

#### Outlet Box (Galvanized)

- UL listed J-box with insulated removable cover; prewired 14 GA (NEC) with 1/2" and 3/4" knockouts

#### Installation & Hardware

- Indoor/outdoor in covered locations in ceilings up to 1 1/8" thick
- 27" galvanized hanger bars & adjustable mounting brackets (2) supplied

#### UL, C-UL (Canada) Listings

- Wet, damp or dry locations, covered ceilings
- Type IC: for direct contact with insulation
- Through-branch conductors (4 #12 AWG 90°C)

#### IEC & FCC Compliance

- Meets IEC/EN 60601-1-2 electromagnetic compatibility standard for medical electrical equipment
- FCC Part 15 certified for EMI/RFI emissions

#### FIVE YEAR Limited Warranty

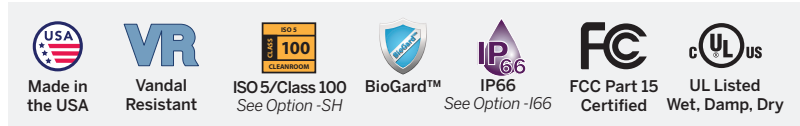
- Complete standard fixture

#### Trim and Lens Assembly

- Ligature resistant smooth white seamless tapered aluminum self-flanged rigid cast trim
- Kirlin BioGard™ antimicrobial white finish continuously inhibits growth of bacteria on the coating of the trim

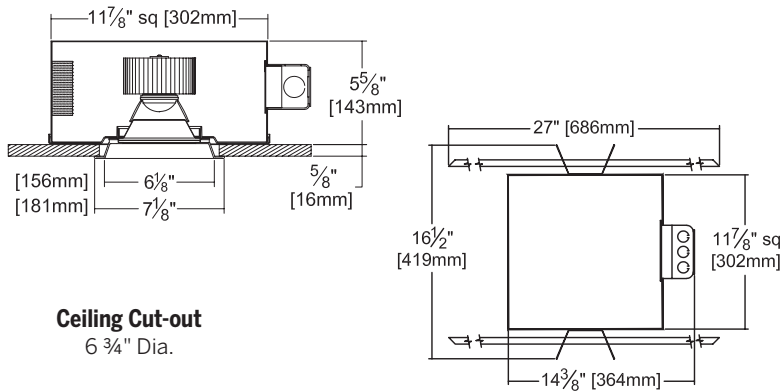
## Options and Ordering Configuration

(Example: MRV-06785-2000L-D5-I66-SH)



Must Specify			Optional									
Model	Lumens	Volts	CCT & CRI	Driver Options	Lens & Trim Options	Other Options						
MRV-06785	-2000L	-120 -277	(Blank): 6500°K - 2700°K Tunable White, 80+ CRI	(Blank): Standard two channel 0-10V CCR 0.1% dim  -D5: DMX512A 1.0% dim -D7: DALI dual drive 0.1% dimming driver instead -D8: DALI DT8 dual drive 0.1% dimming driver instead -PSQ: Lutron T-Series controls instead	(Blank): White tamper-resistant trim, high strength dual lens  -35T: Silver enamel (complete trim); (non BioGard™) -94: Custom color/finish; specify; (non BioGard™); consult factory -BN: Brushed nickel cast trim instead (non BioGard™) -I66: IP66 Rated trim; also see Option -SH	(Blank): None  -99: Special modification; consult factory -FS: Fused primary; One per fixture -SH: Sealed housing and junction box; provides Cleanroom Rated luminaire (ISO 5 Class 100); must be used with Option -I66						
*See note next page												
<table border="1"> <thead> <tr> <th colspan="2">Projected L70** for Kirlin Luminaires</th> </tr> </thead> <tbody> <tr> <td>In Open Plenum</td> <td>90,000 hours</td> </tr> <tr> <td>In Insulation (Type IC)</td> <td>60,000 hours</td> </tr> </tbody> </table>							Projected L70** for Kirlin Luminaires		In Open Plenum	90,000 hours	In Insulation (Type IC)	60,000 hours
Projected L70** for Kirlin Luminaires												
In Open Plenum	90,000 hours											
In Insulation (Type IC)	60,000 hours											
**Hours at 70% lumen maintenance												

## Dimensions



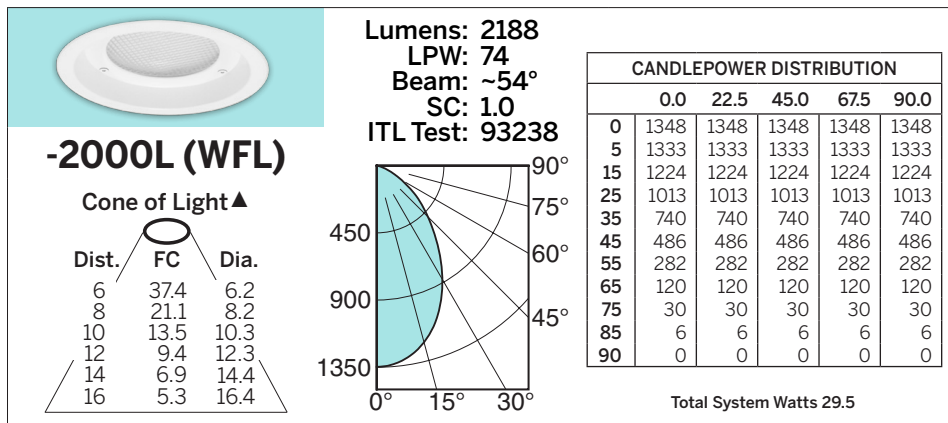
## Infection Control Levels

Level	Option	Patient Safety	Infection Protection
1+	Standard	<b>VR</b> Vandal Resistant	BioGard™
2+	-166	<b>VR</b> Vandal Resistant	BioGard™ IP66
3+	-166 -SH	<b>VR</b> Vandal Resistant	BioGard™ IP66 ISO 5/ Class 100

## Photometry - Installed Complete Fixture

Photometry from I.T.L., Boulder, CO

LM-79 IESNA Certified Photometry from Independent Lab



\*LED manufacturers maintain a tolerance of +/-7% on flux (lumens) and power (electrical) measurements.

▲ **Cone of Light Key**  
Dia. (in ft.) shown is where FC value is half the FC at nadir.

**Dist.** Distance (Ft.) from fixture  
**FC** Footcandles at nadir (0°)  
**Dia.** Circle of light at 50% of FC