

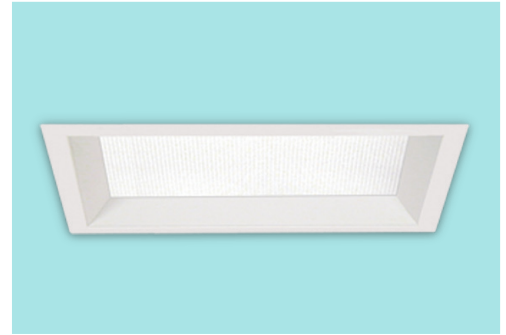
CATALOG #	TYPE	
JOB NAME	WATTAGE	VOLTAGE

Lighting for Patient Spaces

Rectangular 5" x 10" LED Exam Light

Up to 60,000 Hour Life • Antimicrobial Trim • Wet Location
LM-80 Qualified • LM-79 Certified Photometry

MRT-05512



Specifications

Delivered System Performance*

- Lumen Series: **Must Specify**
- 5000L:** 2x2500 (70W)
- Distribution: NFL standard
- Color temperature: 3500°K standard; optional: -27K, -30K or -41K
- CRI: 80+ standard; optional: -HC (90+)
- 60,000 hour life (L70)
- Fully sustainable: removable for servicing

Thermal Protection: SPECIFY VOLTAGE

- Thermal protector for insulation detection per UL/NEC; must specify input voltage

Thermal Management System

- Aluminum heat sink and components for cool operation, long life, and low maintenance

LED Driver - INTERNAL

- Indoor/Outdoor: -30°C to 60°C (-22°F to 140°F)
- 0-10V CCR dimming standard (100-10%)
- Voltage Options: **Must Specify**
- 120:** -120V (50-60Hz); load insensitive
- 277:** -277V (50-60Hz); load insensitive

Trim and Lens Assembly

- Tapered smooth aluminum flare self-flanged
- white trim; easily cleaned
- Kirlin BioGard™ antimicrobial white finish continuously inhibits growth of bacteria on the coating of the trim
- Regressed tempered microprismatic glass lens
- Sturdy extruded aluminum construction
- Torsion springs retain snug fit to ceiling

Acrylic Enameled Aluminum Housing

- Rustproof: exceeds 1000 hour ASTM 5% salt spray test; all components fully sustainable
- Cool operation extends component life
- Modular design; visible and fully serviceable through aperture
- Built-in plaster flange

Outlet Box (Galvanized)

- UL listed J-box with insulated removable cover; prewired 14 GA (NEC) with 1/2" and 3/4" knockouts

Installation & Hardware

- Indoor/outdoor in ceilings up to 1 1/4" thick
- Compatible with fire rated enclosures (by others)

- 27" galvanized hanger bars & adjusting brackets (2) supplied

UL, C-UL (Canada) Listings

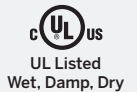
- Wet, damp or dry locations, covered ceilings
- Through-branch conductors (4 #12 AWG 90°C)

IEC & FCC Compliance

- Meets IEC/EN 60601-1-2 electromagnetic compatibility standard for medical electrical equipment
- FCC Part 15 certified for EMI/RFI emissions

FIVE YEAR Limited Warranty

- Complete standard fixture



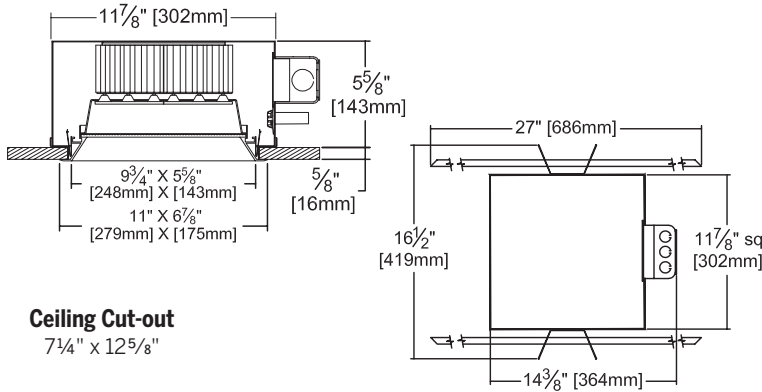
Options and Ordering Configuration

(Example: MRT-05512-5000L-120-30K-45)

Must Specify			Optional				
Model	Lumens	Volts	CCT & CRI	Driver Options	Emergency	Trim & Lens Options	Other Options
MRT-05512							
	-5000L	-120 -277 -97: Other voltage; consult factory	(Blank): 35K, 80+ CRI 80+ CRI -27K: 2700°K -30K: 3000°K -35K: 3500°K -41K: 4100°K -50K: 5000°K 90+ CRI -27K-HC: 2700°K -30K-HC: 3000°K -35K-HC: 3500°K -41K-HC: 4100°K -50K-HC: 5000°K	(Blank): Standard 0-10V CCR 10% dim -ECO: For use with Lutron EcoSystem controls; dims to 1% or consult factory	(Blank): None -EI: Remote emergency inverter for 25% of rated lumens (-7000L) or 50% (-5000L); one array only; 90+ minutes; 60Hz input only; N/A for options -FS -ERH: Remote emergency battery pack; delivers 1000 lumens; one array only; 90+ minutes (CEC Compliant)	(Blank): White trim, regressed prismatic lens -45: Gasket between trim flange and ceiling -46: Gasket between trim and lens	(Blank): None -99: Special modification; consult factory -FS: Fused primary; One per fixture; not for use with option -EI

*See note next page

Dimensions



Infection Control Levels

Level	Option	Infection Protection
1	Standard	BioGard™

Footcandle Distribution Data

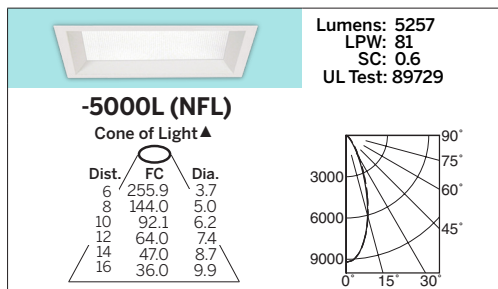
Notes:

- All lighting levels are expressed in average footcandles, with distances expressed in feet, as measured at the work plane (3'6")
- The work plane (3'6") is defined as: examination bed height, plus patient body depth
- Fixture is centered over examination bed with its longest axis parallel to the length of the bed

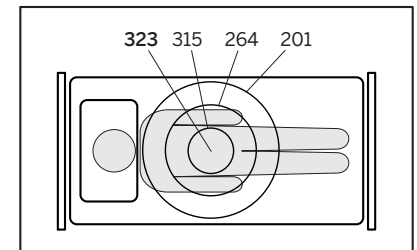
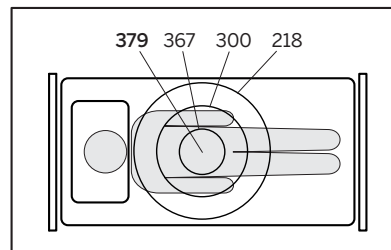
Photometry - Installed Complete Fixture

Photometry from UL Verification Services, Allentown, PA

LM-79 IESNA Certified Photometry from Independent Lab



Total System Watts 64.8



*LED manufacturers maintain a tolerance of +/-7% on flux (lumens) and power (electrical) measurements.

▲ Cone of Light Key
 Dia. (in ft.) shown is where FC value is half the FC at nadir.
 Dist. Distance (Ft.) from fixture
 FC Footcandles at nadir (0°)
 Dia. Circle of light at 50% of FC

LIMITED WARRANTY: KIRLIN LIGHTING FIXTURES ARE WARRANTED FREE OF DEFECTS IN WORKMANSHIP OR MATERIAL FOR FIVE YEARS FROM DATE OF PURCHASE. INSTALLED TO N.E.C. (NORMAL USE). Manufacturer at the option will replace or repair such fixture or refund the purchase price on presentation of proof of purchase and defective fixture at the office of manufacturer within the warranty period. Liability of manufacturer is limited to the foregoing and manufacturer shall not be liable for any other damages, direct or indirect, sustained or suffered by purchaser or any person. This warranty is applied to the buyer in place of all other warranties, expressed or implied. Seller does not warrant as to merchantability or fitness for a particular use, nor will any oral statement constitute a warranty or amend this specific warranty. Abnormal use, abuse of the fixture, improper installation, or repair or modification of the fixture without prior written authorization from the manufacturer will render the warranty void.
 PATENT SPACES
 REV. MAR 2023