

INFRALED® 60

2 LIGHT SYSTEM

MRS-17600

LED Remote
Controlled Motorized
Recessed Patient
Lighting System



- LDRP
- OB/GYN
- BIRTHING SUITES



Performance: Cool LED beams with excellent color rendering of red tissue and skin tones: 95+ CRI (with high R9, R13 and R15). Delivers over 5000 fcs at angles up to 60°, ideal for OB/GYN applications.

Function: For challenging high angle procedures. Light beams independently controlled and may be superimposed or aimed separately.

Design: Inconspicuous, fully recessed luminaires. Redundant controls, components ensures light in case a component fails.

Use: Fast, single-hand adjustability using either infrared remote or wall control. Maintenance free 60,000 hour life LEDs.



THE KIRLIN COMPANY

3401 EAST JEFFERSON AVENUE • DETROIT, MICHIGAN 48207-4232
(313) 259-6400 • Fax: (313) 259-3121 • www.kirlinlighting.com • info@kirlinlighting.com

MRS-17600 INFRALED® 60 2 LIGHT SYSTEM

LED INFRARED REMOTE CONTROLLED ADJUSTABLE LIGHTING SYSTEM

Features

This lighting system features **two** fully recessed **luminaires** plus a **wall control** and a **remote control**:

Each Luminaire Offers:

- Up to 4000 delivered lumens
- Exclusive OPTeCOLOR™ LEDs with 95+ CRI, high R9 (72), R13 (96), R15 (96), cool beam and 60,000 hour life (L70)
- Up to 60° tilt (from nadir) with 50° left / right sweep
- 0-10V CCR 100-10% dimming
- BioGard™ anti-microbial white regressed smooth flare trim with tempered clear flat glass lens
- Lightweight. 2' x 2' ceiling pan provided with luminaire, also see Option -47.
- Completely serviceable through the aperture; convenient plug-in components for easy installation and service
- Meets IEC/EN 60601-1-2 electromagnetic compatibility standard for medical electrical equipment. FCC Part 15 certified for EMI/RFI emissions

Wall Control / Remote Offers:

- Full control of each light from both wall control and remote control
- Tactile membrane controls for power, intensity (100-10%), aiming and fixture selection
- Independent aiming of each light; light beams may be aimed at 2 sites or superimposed
- Smooth surfaces for easy cleaning with isopropyl alcohol

Wall Control Also Features:

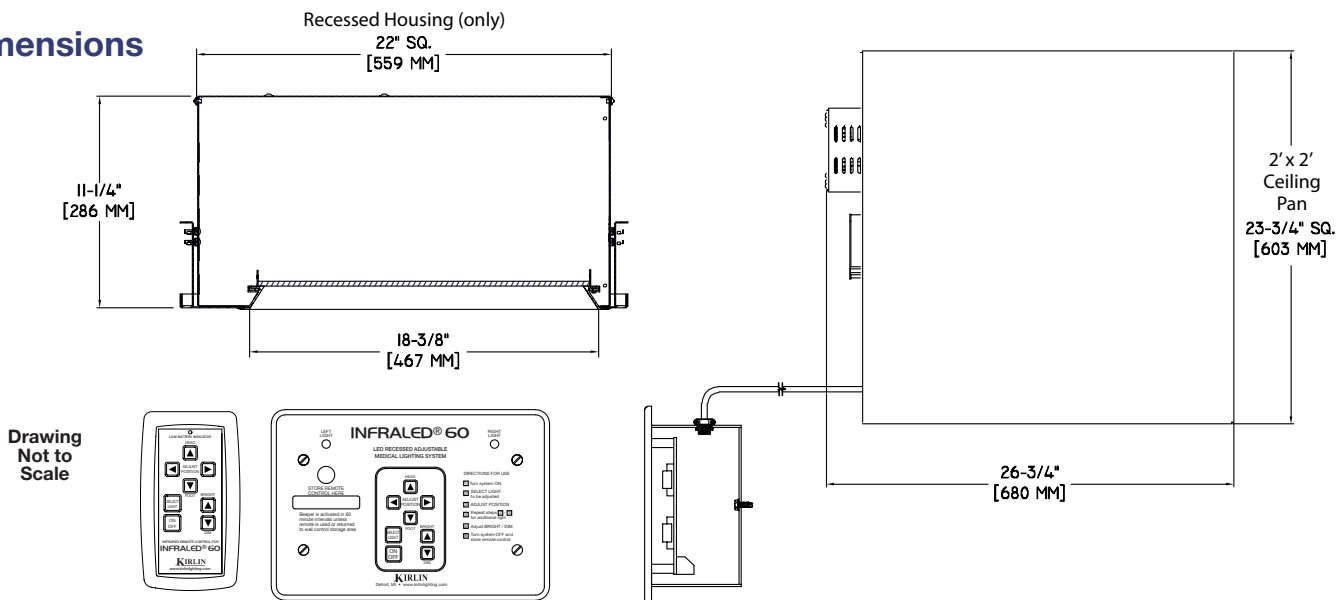
- Magnetic docking station for remote control storage
- Non-conductive wall plate assembly

Remote Control Also Features:

- Infrared control signals are invisible and will not interfere with other medical equipment
- Durable; withstands common mishaps (dropped on the floor)
- Exclusive loss deterring beeper

UL, C-UL (Canada) Listed • Exclusive Three Year Warranty • Designed and Produced in U.S.A.

Dimensions



Options

The following Options are available for MRS-17600. Add Option as suffix to catalog number. Example: MRS-17600-58-SE.

Input Power

- 120 120V (50-60Hz) input and thermal protector.
- 58 277/120 volt stepdown transformer for 277 volt line input, prewired into each fixture; with 277 volt thermal protector.
- 97 For other input supply voltages, consult factory.
- 98 347/120 volt stepdown transformer for 347 volt line input, prewired into each fixture; with 120 volt thermal protector. Adds 10 watts to each fixture load.

Color Temperature (CCT)

- 41K 4100°K instead of 3500°K. 95+ CRI.
- 50K 5000°K instead of 3500°K. 95+ CRI.

Trim

- 47 Plaster frame bottom pan. For installation in hard ceilings.
- 94 Custom color self-flanged flare trim instead. Consult factory.

Trim and Other

- 87 Custom length (> 35 feet) plenum rated wall control cables (4). Consult factory.

- 99 Special modification. Consult factory.
- BI Beeper (remote control) inactivated by factory.
- RC Extra remote control.
- RS Remote infrared sensor with 35' cable.
- SE Fixtures modified for seismic anchorage (by others). Meets California OSHPD and International Building Codes.

LED INFRARED REMOTE CONTROLLED ADJUSTABLE LIGHTING SYSTEM

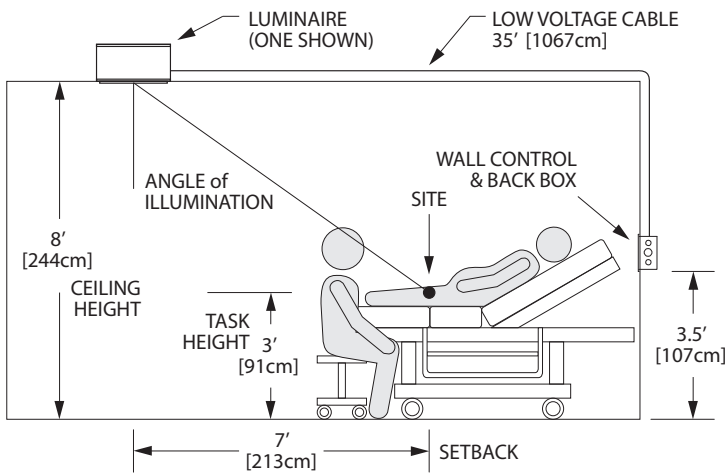
INFRARED® 60 2 LIGHT SYSTEM

MRS-17600

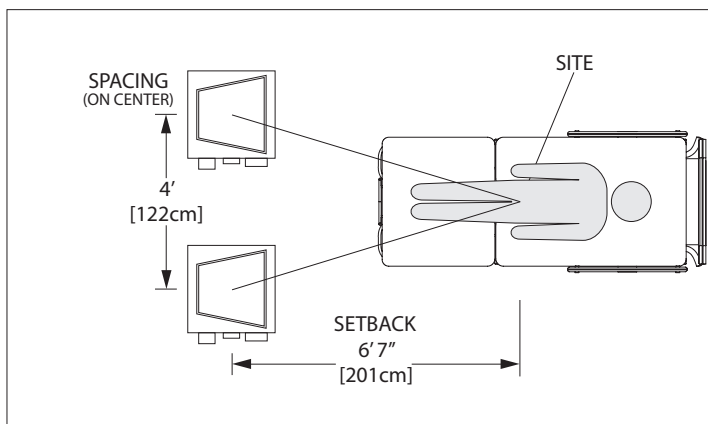
Recommendations for Typical Installation:

- Fixtures placed to project light on either side of practitioner's head and over practitioner's shoulders.
- Fixture setback from break in bed determined by ceiling height, and position and height of practitioners.
- Optimally, fixtures are placed 4' apart (on center) with angle of illumination typically between 50°-55° for sitting practitioners to provide future flexibility should task location change. Consult factory for assistance in determining ideal location of fixtures.
- Wall control placed in unobstructed location and within line of sight from practitioner's location.

Typical Side View - 8' Ceiling Height



Typical Top View - 8' Ceiling Height



Sitting Practitioners
4' Spacing • 3' Work Plane • 53° Angle of Illumination

Recommended Fixture Setback / Location with Angle of Illumination and Light Levels

Sitting Practitioners

Ceiling Height	Setback from Break in Bed		Angle of Illumination	Footcandles on Task
8	7.0	Optimal	54.5	5105
	6.0	Alternative	50.2	6052
8.5	8.0	Optimal	55.5	4080
	7.0	Alternative	51.8	4851
9	8.0	Optimal	53.1	3850
	7.0	Alternative	49.4	4515
9.5	9.0	Optimal	54.2	3163
	8.0	Alternative	50.9	3622
10	9.0	Optimal	52.1	2997

Alternative setback provided for room configurations that don't allow fixture placement in optimal setback location. For additional setback locations, consult factory.

Total System Watts (2 luminaires)

120V (Standard): 280W
277V (Option -58): 280W
347V (Option -98): 300W

Photometric testing by I.T.L. (Boulder, CO)
I.T.L. Test No. 84926

LM-80 Qualified • LM-79 Certified Photometry

* LED manufacturers maintain a tolerance of ±7% on flux (lumens) and power (electrical) measurements. Kirlin photometrics are actual test data from Independent Testing Laboratories (ITL) where photometry was measured from 3742 lumen (64W) light engines (2), within the established tolerance.

MRS-17600

INFRALED® 60 2 LIGHT SYSTEM

LED INFRARED REMOTE CONTROLLED ADJUSTABLE LIGHTING SYSTEM

The lighting system includes both an infrared remote control and a flush wall control panel. Both provide full control of the lighting system, including on/off, direction, intensity and fixture selection. A designated magnetic docking station on the wall control panel has been provided for storage of the remote control when not in use.

Remote and Wall Control Features:

- Redundant full function controls for:
 - Power
 - Fixture selection
 - Intensity (dimmer or brighter)
 - Direction (tilts up to 60° with 50° left / right sweep)
- Convenient one hand operation.
- Tactile-membranes and smooth surfaces for easy cleaning.

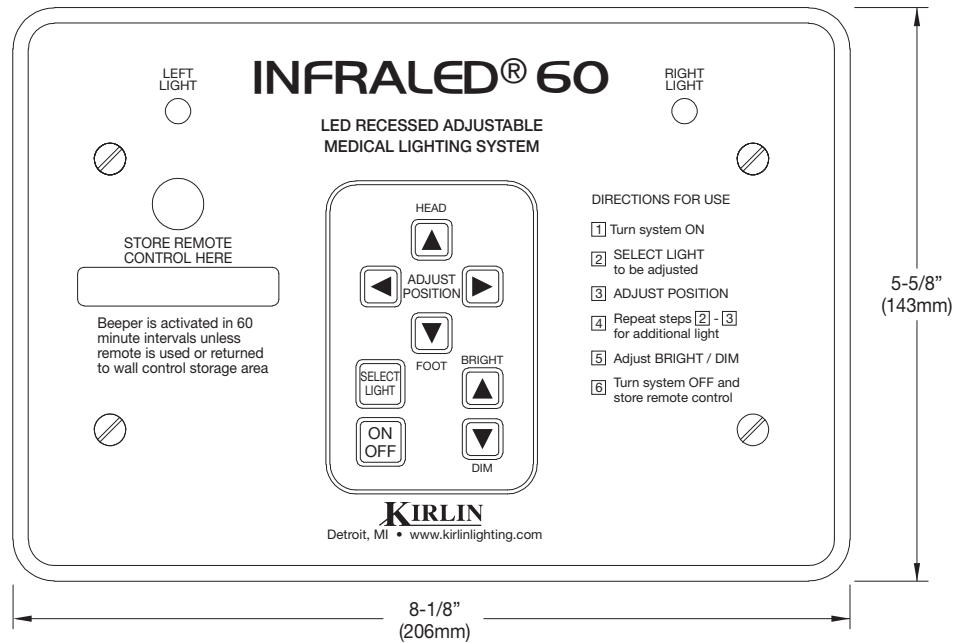
Wall Control (only) Features:

- Includes infrared receiver.
- "Right" and "Left" fixture indicator lights.
- Magnetic docking station for remote control.
- Less than 1 microamp current leakage from front of wall control panel.
- Back box provided by Kirlin.

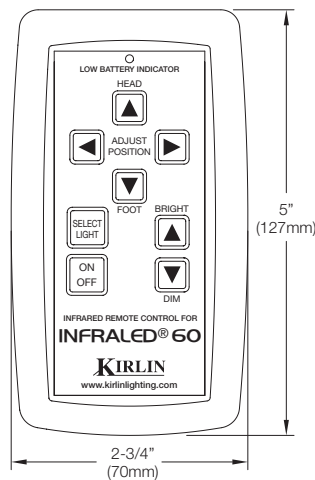
Remote Control (only) Features:

- Invisible infrared signal will not interfere with other equipment in the room.
- Impact resistant construction to withstand common mishaps (dropped on floor).
- Loss deterring beeper to remind user to return remote to docking station on wall control panel. Beeper is activated if remote control is not used for, nor returned to wall control panel within 1 hour.
- 9 volt standard battery provided.
- Low stand-by current assures long battery life.
- Back side has special "write-on" area for marking room location.

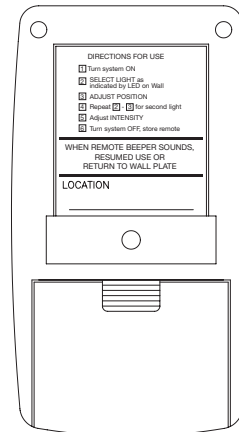
WALL CONTROL PANEL (INSTALLED IN ROOM WALL)



REMOTE CONTROL FRONT



REMOTE CONTROL BACK



SUBMITTAL DATA

JOB NAME

TYPE

VOLTAGE

CATALOG NUMBER

APPROVAL STAMP

