

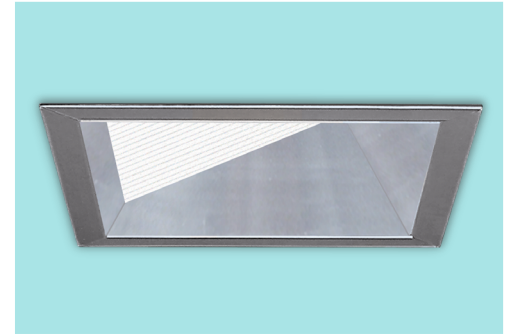
CATALOG #	TYPE	
JOB NAME	WATTAGE	VOLTAGE

Lighting for Patient Spaces

Lensed 4" Wall Wash • LED

Up to 90,000 Hour Rated Life • Type IC • Wet Location
LM-80 Qualified • LM-79 Certified Photometry

MRS-04804



Specifications

Delivered System Performance*

- Nominal Lumens: **Must Specify**

Type-IC

-2000L

-1500L

-1000L

- Select trim & beam distribution: see chart
- Select color (CCT): see chart; 80+ CRI standard; Option -HC for 90+ (15% lumen loss)
- 90,000 Hour Rated Life (L70**)
- Center beam optics positioned at 25°

Thermal Management System

- Aluminum heat sink and components for cool operation, long life, and low maintenance

LED Driver - INTERNAL

- Indoor/Outdoor: -30°C to 60°C (-22°F to 140°F)
- 0-10V CCR dimming standard (100-10%)
- Voltage Options: **Must Specify**
- 120: -120V (50-60Hz); load insensitive
- 277: -277V (50-60Hz); load insensitive

Trim Assembly

- Low brightness clear specular aluminum self-flanged downlight cone with lens above
- Optional colors and finishes available

Acrylic Enameled Aluminum Housing

- Rustproof and corrosion resistant: exceeds 1000 hour ASTM 5% salt spray test; all components fully sustainable
- Shallow depth fits restricted plenums
- Cool operation extends component life
- Modular design; visible and fully serviceable through aperture
- Built-in plaster flange

Outlet Box (Galvanized)

- UL listed J-box with insulated removable cover; prewired 14 GA (NEC) with 1/2" and 3/4" knockouts

Installation & Hardware

- Indoor/outdoor in ceilings up to 1 1/4" thick
- 27" galvanized hanger bars & adjusting brackets (2) supplied

UL, C-UL (Canada) Listings

- Wet, damp or dry locations, covered ceilings
- Type IC: for direct contact with insulation
- Through-branch conductors (4 #12 AWG 90°C) for Type IC listing

IEC & FCC Compliance

- Meets IEC/EN 60601-1-2 electromagnetic compatibility standard for medical electrical equipment
- FCC Part 15 certified for EMI/RFI emissions

FIVE YEAR Limited Warranty

- Complete standard fixture

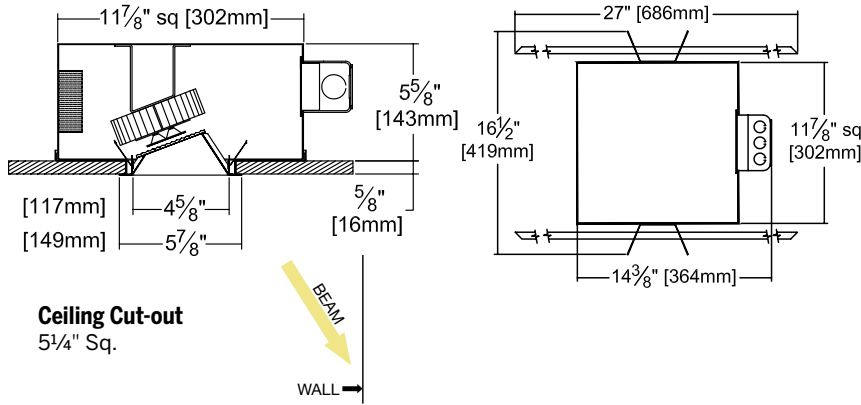
Options and Ordering Configuration

(Example: MRS-04804-2000L-277-50K-31-FS)



Must Specify			Optional								
Model	Lumens	Volts	CCT & CRI	Driver Options	Emergency Options	Lens & Trim Options	Other Options				
MRS-04804	-2000L -1500L -1000L	-120 -277 -97†: Other voltage	(Blank): 3500K, 80+ CRI 80+ CRI -27K: 2700°K -30K: 3000°K -35K: 3500°K -41K: 4000°K -50K: 5000°K 90+ CRI -27K-HC: 2700°K -30K-HC: 3000°K -35K-HC: 3500°K -41K-HC: 4000°K -50K-HC: 5000°K	(Blank): Standard 0-10V CCR 10% dim -D1: 0-10V 1.0% dim -D2†: 0-10V 0.1% dim -D3†: DALI 1.0% dim -D4†: DALI 100-0.1% dim -D5†: DMX512A 0% dim; -1000L only	(Blank): None -EI: Remote emergency inverter for 100% of rated lumens; 90+ minutes; 120V or 277V, 60Hz input only; specify voltage; N/A for option -FS -EM: Internal emergency battery pack; Delivers 500 lumens; CEC Compliant; 90+ minutes -ERH: Remote emergency battery pack; delivers 1000 lumens; CEC Compliant; 90+ minutes	(Blank): Clear specular aluminum self-flanged wall-wash cone with lens above Trim Finishes -30: All white acrylic enameled trim -31: White acrylic enameled trim flange -70: SofTex™ semi-specular clear self-flanged cone -BG: BioGard™ anti-microbial white -BKBG: BioGard™ anti-microbial black -94: Custom color; consult factory -94BG: BioGard™ anti-microbial custom color finish Other Trim Features -32: White trim extender, specify OD -45: Gasket between trim flange and ceiling -CF: Custom color filter (Rosco); specify -DF: Electrically isolated trim	(Blank): None -99: Special modification; consult factory -AWN: Athena Wireless Node; N/A for Dimming Option -D5 -FS: Fused primary; One per fixture; not for use with Option -EI *Note: For other integrated control solutions, such as nLight, contact factory				
Projected L70** for Kirlin Luminaires <table border="1"> <tr> <td>In Open Plenum</td> <td>90,000 hours</td> </tr> <tr> <td>In Insulation (Type IC)</td> <td>60,000 hours</td> </tr> </table>			In Open Plenum	90,000 hours	In Insulation (Type IC)	60,000 hours	† Consult factory for use with -2000L lumen series				
In Open Plenum	90,000 hours										
In Insulation (Type IC)	60,000 hours										
**Hours at 70% lumen maintenance											

Dimensions



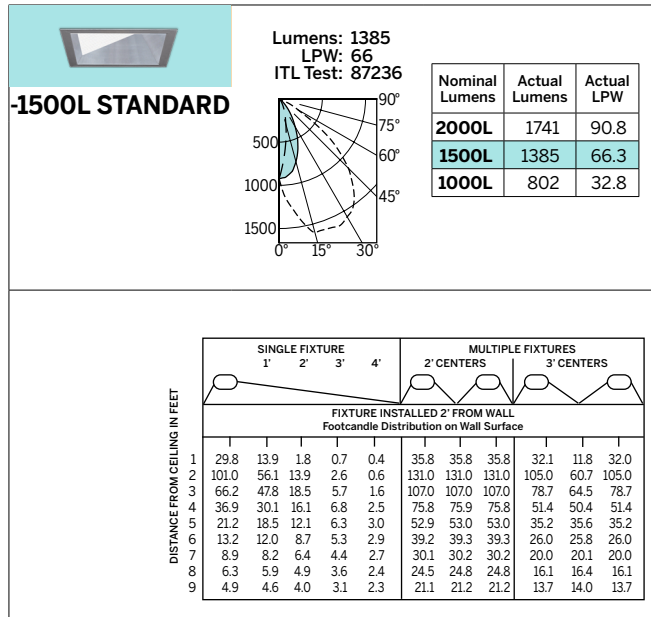
Performance Factors

NOMINAL LUMENS	LUMEN FACTOR	NOMINAL WATTS	LPW FACTOR
-2000L	1.257	28.6	0.92
-1500L	1.00	20.9	1.00
-1000L	0.579	10.3	1.17

Photometry - Installed Complete Fixture

Photometry from I.T.L., Boulder, CO

LM-79 IESNA Certified Photometry from Independent Lab



*LED manufacturers maintain a tolerance of +/-7% on flux (lumens) and power (electrical) measurements.

▲ Cone of Light Key
Dia. (in ft.) shown is where FC value is half the FC at nadir.

Dist. Distance (Ft.) from fixture
FC Footcandles at nadir (0°)
Dia. Circle of light at 50% of FC