

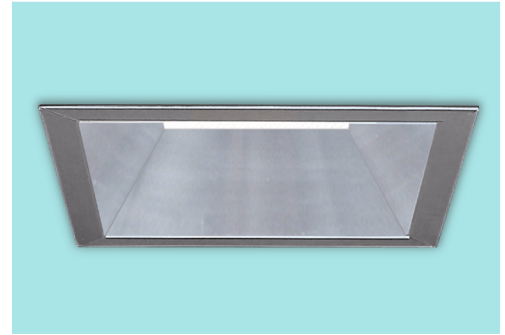
CATALOG #	TYPE	
JOB NAME	WATTAGE	VOLTAGE

Lighting for Patient Spaces

Open Appearance 4" Downlight • LED

Up to 90,000 Hour Life • Type IC • Wet Location
LM-80 Qualified • LM-79 Certified Photometry

MRS-04803



Specifications

Delivered System Performance*

- Nominal Lumens: **Must Specify**

Type-IC

-2000L

-1500L

-1000L

- Select trim & beam distribution: see chart
- Select color (CCT): see chart; 80+ CRI standard; Option -HC for 90+ (15% lumen loss)
- 90,000 hour life (L70**)

Thermal Management System

- Aluminum heat sink and components for cool operation, long life, and low maintenance

LED Driver - INTERNAL

- Indoor/Outdoor: -30°C to 60°C (-22°F to 140°F)
- 0-10V CCR dimming standard (100-10%)
- Voltage Options: **Must Specify**
- 120: -120V (50-60Hz); load insensitive
- 277: -277V (50-60Hz); load insensitive

Trim Assembly

- Low brightness clear specular aluminum self-flanged downlight cone with lens above
- Optional colors and finishes available

Acrylic Enameled Aluminum Housing

- Rustproof and corrosion resistant: exceeds 1000 hour ASTM 5% salt spray test; all components fully sustainable
- Shallow depth fits restricted plenums
- Cool operation extends component life
- Modular design; visible and fully serviceable through aperture
- Built-in plaster flange

Outlet Box (Galvanized)

- UL listed J-box with insulated removable cover; prewired 14 GA (NEC) with 1/2" and 3/4" knockouts

Installation & Hardware

- Indoor/outdoor in ceilings up to 1 1/4" thick or see Option -79
- Compatible with fire rated enclosures (by others)

- 27" galvanized hanger bars & adjusting brackets (2) supplied

UL, C-UL (Canada) Listings

- Wet, damp or dry locations, covered ceilings
- Type IC: for direct contact with insulation
- Through-branch conductors (4 #12 AWG 90°C) for Type IC listing

IEC & FCC Compliance

- Meets IEC/EN 60601-1-2 electromagnetic compatibility standard for medical electrical equipment
- FCC Part 15 certified for EMI/RFI emissions

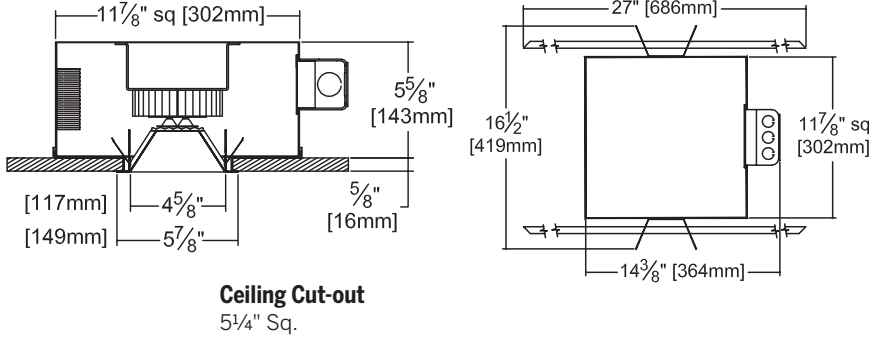


Options and Ordering Configuration

(Example: MRS-04803-2000L-120-30K-NFL-BG-79)

Must Specify			Optional					
Model	Lumens	Volts	CCT & CRI	Beam	Driver Options	Emergency	Lens & Trim Options	Other Options
MRS-04803	-2000L -1500L -1000L	-120 -277 -97†: Other voltage	(Blank): 3500K, 80+ CRI 80+ CRI -27K: 2700°K -30K: 3000°K -35K: 3500°K -41K: 4100°K -50K: 5000°K 90+ CRI -27K-HC: 2700°K -30K-HC: 3000°K -35K-HC: 3500°K -41K-HC: 4100°K -50K-HC: 5000°K	(Blank): MFL -SPT -NFL -MFL	(Blank): Standard 0-10V CCR 1.0% dim -D1: 0-10V 1.0% dim -D2†: 0-10V 0.1% dim -D3†: DALI 1.0% dim -D4†: DALI 100-0.1% dim -D5†: DMX512A 0% dim; -1000L only	(Blank): None -E1: Remote emergency inverter for 100% of rated lumens; 90+ minutes; 120V or 277V, 60Hz input only; specify voltage; N/A for options -FS -EM: Internal emergency battery pack; Delivers 500 lumens; CEC Compliant; 90+ minutes -ERH: Remote emergency battery pack; delivers 1000 lumens; CEC Compliant; 90+ minutes	(Blank): Clear specular aluminum self-flanged downlight cone with lens above Trim Finishes -30: All white acrylic enameled trim -31: White acrylic enameled trim flange -70: SofTex™ semi-specular clear self-flanged cone -BG: BioGard™ anti-microbial white -94: Custom color; consult factory Other Trim Features -13: Clear poly lens below lens. Photometric distribution unaffected -23: Frosted microprismatic lens instead -32: White trim extender, specify OD -45: Gasket between trim flange and ceiling -CF: Custom color filter (Rosco); specify -DF: Electrically isolated trim -WA: White acrylic (flat) diffuser instead; will produce wide flood distribution	(Blank): None Mounting -79: Extension collar; ceilings up to 2" thick Other Options -99: Special modification; consult factory -FS: Fused primary; One per fixture; not for use with Option -E1
Projected L70** for Kirlin Luminaires In Open Plenum: 90,000 hours In Insulation (Type IC): 60,000 hours <small>**Hours at 70% lumen maintenance</small>			† Consult factory			† Consult factory for use with -2000L		

Dimensions



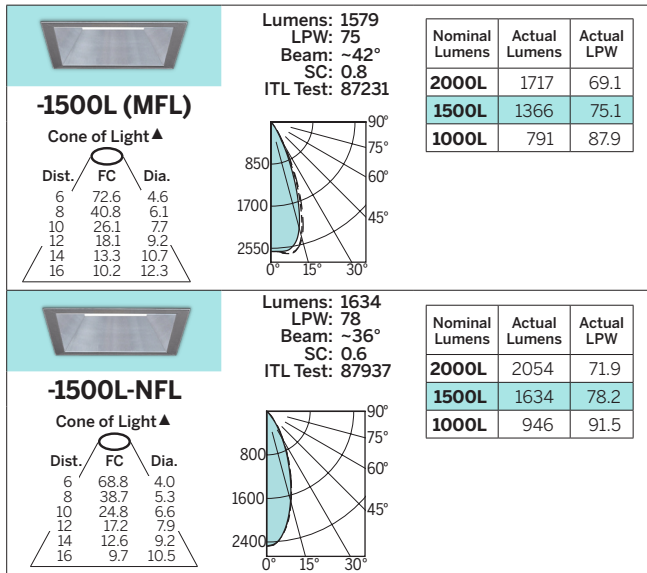
Performance Factors

NOMINAL LUMENS	LUMEN FACTOR	NOMINAL WATTS	LPW FACTOR
-2000L	1.257	28.9	0.92
-1500L	1.00	21.1	1.00
-1000L	0.579	10.4	1.17

Photometry - Installed Complete Fixture

Photometry from I.T.L., Boulder, CO

LM-79 IESNA Certified Photometry from Independent Lab



*LED manufacturers maintain a tolerance of +/-7% on flux (lumens) and power (electrical) measurements.

▲ Cone of Light Key
Dist. Distance (Ft.) from fixture
Dia. (in ft.) shown is where FC
value is half the FC at nadir.
Dist. Footcandles at nadir (0°)
Dia. Circle of light at 50% of FC

LIMITED WARRANTY: CATALOGUED KIRLIN FIXTURES ARE WARRANTED FREE OF DEFECTS IN WORKMANSHIP OR MATERIAL FOR YEARS FROM DATE OF PURCHASE. INSTALLED TO N.E.C. IN NORMAL USE. Manufacturer at the option will replace or repair such fixture or refund the purchase price on presentation of proof of purchase and defective fixture at the office of manufacturer within the warranty period. This warranty is limited to the original purchaser and is not transferable. Liability of manufacturer is limited to the foregoing and manufacturer shall not be liable for any other damages, direct or indirect, sustained or suffered by purchaser or any person. This warranty is applied to the buyer in place of all other warranties, expressed or implied. Seller does not warrant as to merchantability or fitness for a particular use, nor will any oral statement constitute a warranty or amend this specific warranty. Abnormal use, abuse of the fixture, improper installation, or repair or modification of the fixture without prior written authorization from the manufacturer will render the warranty void.

PATENT SPACES
DECEMBER 2023