

OPTeMED®

1 LIGHT SYSTEM - 360°

MRR-12642

LED Motorized High CRI / R9
Recessed Patient
Lighting System

- ICU • CCU • ED
- NICU/PICU
- PATIENT ROOM
- CATH LAB



Performance: Cool LED beam with excellent color rendering of red tissue and skin tones: 95+ CRI (with high R9, R13 and R15). Up to 5700 footcandles delivered from the one light system.

Function: Precise adjustability of direction and brightness.

Design: Inconspicuous, fully recessed lensed motorized luminaire with smooth white BioGard™ anti-microbial finish.

Use: Fast, single-hand adjustability using wall control. Silent movement.

KIRLIN

THE KIRLIN COMPANY

3401 EAST JEFFERSON AVENUE • DETROIT, MICHIGAN 48207-4232
(313) 259-6400 • Fax: (313) 259-3121 • www.kirlinlighting.com • info@kirlinlighting.com



MRR-12642 OPTeMED® 1 LIGHT SYSTEM - 360°

LED MOTORIZED WALL CONTROLLED ADJUSTABLE LIGHTING SYSTEM

Features

This lighting system features **one** fully recessed **luminaire** plus a **wall control**:

LED Luminaire Offers:

- 3000 delivered lumens
-  Exclusive OPTeCOLOR™ LEDs with 95+ CRI, high R9 value of 85, cool beam and 60,000 hour life (L70); standard 3500°K, optional 5000°K
- Rotates 360° and tilts up to 35° either side of nadir; optional 15° bottom pan allows lighthouse to tilt up to 50° in one direction
- 0-10V CCR 100-10% dimming
- Architectural BioGard™ anti-microbial white regressed smooth flare trim with tempered clear flat glass lens
- IP65 optional 

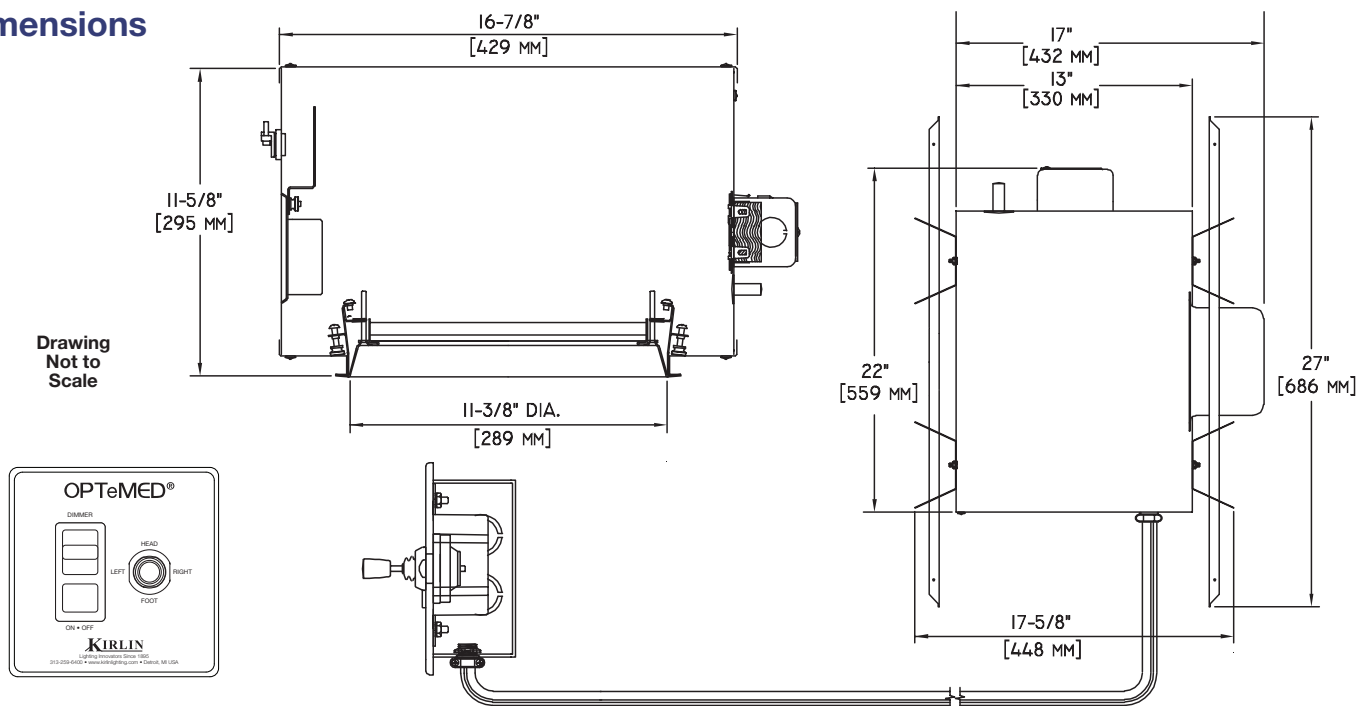
- Lightweight construction for easy installation in any ceiling (21 pounds)
- Completely serviceable through the aperture; convenient plug-in components for easy installation and service
- Meets IEC/EN 60601-1-2 electromagnetic compatibility standard for medical electrical equipment. FCC Part 15 certified for EMI/RFI emissions

Wall Control Offers:

- One hand operation of controls: joystick for direction; slide dimmer for intensity (100-10%); pushbutton for power on-off
- Smooth surfaces for easy cleaning with isopropyl alcohol

UL, C-UL (Canada) Listed • Exclusive Three Year Warranty • Designed and Produced in U.S.A.

Dimensions



Options

The following Options are available for MRR-12642. Add Option as suffix to catalog number. Example: MRR-12642-IP-SE.

Input Power

- 120 120V (50-60Hz) input and thermal protector.
- 58 277/120 volt stepdown transformer for 277 volt line input, prewired into fixture; with 277 volt thermal protector.
- 97 For other input supply voltages, consult factory.
- 98 347/120 volt stepdown transformer for 347 volt line input, prewired into fixture; with 120 volt thermal protector.

Color Temperature (CCT)

- 41K 4100°K instead of 3500°K. 95+ CRI.
- 50K 5000°K instead of 3500°K. 95+ CRI.

Trim

- 32 White oversize trim ring. Specify O.D.
- 94 Custom color self-flanged flare trim instead. Consult factory.
- IP IP65 rated trim and lens.

Other

- 81 15° bottom pan achieves 50° high angle illumination in one direction. Maximum recessed depth 15-1/8".

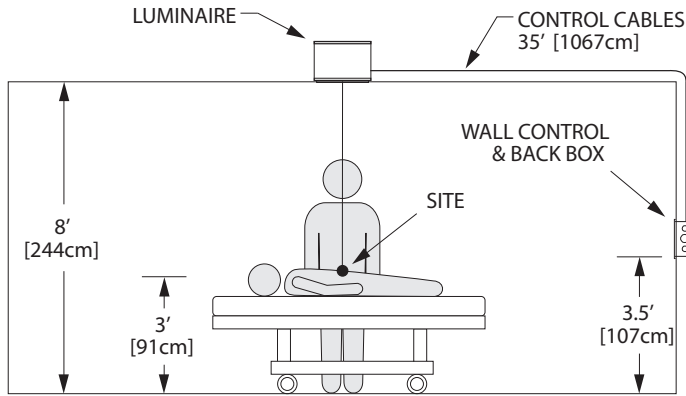
- 87 Custom length (> 35 feet) plenum rated wall control cables (2). Specify length in feet.
- 99 Special modification. Consult factory.
- SE Fixture modified for seismic anchorage (by others). Meets California OSHPD and International Building Codes. Consult factory.

LED MOTORIZED WALL CONTROLLED ADJUSTABLE LIGHTING SYSTEM

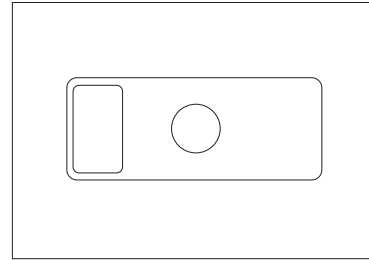
OPTeMED®
1 LIGHT SYSTEM - 360°

MRR-12642

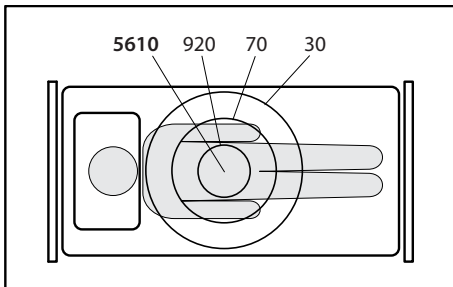
Typical Side View



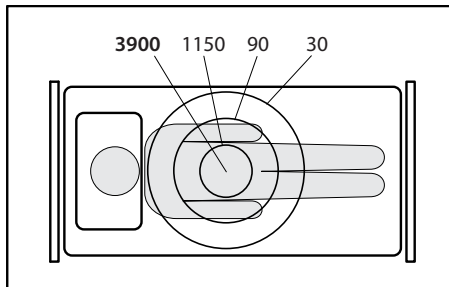
Typical Top View



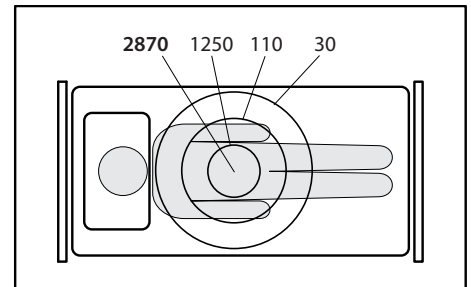
Footcandle Distribution Data



8' Ceiling: 3' Work Plane 5610 fc
3'4" Work Plane 6420 fc



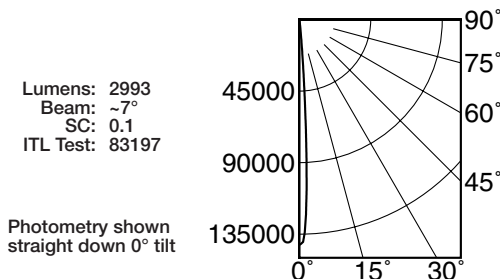
9' Ceiling: 3' Work Plane 3900 fc
3'4" Work Plane 4370 fc



10' Ceiling: 3' Work Plane 2870 fc
3'4" Work Plane 3160 fc

Performance at a Glance*

Photometric testing by I.T.L. (Boulder, CO)
I.T.L. Test No. 83197



Cone of Light*		
Ft.	FC	Dia.
6.0	3939.1	0.7
8.0	2215.8	1.0
10.0	1418.1	1.2
12.0	984.8	1.4
14.0	723.5	1.7
16.0	553.9	1.9

Total System Watts
120V (Standard): 70W
277V (Option -58): 80W
347V (Option -98): 80W

Cone of Light Key
Ft. Distance from fixture
FC Footcandles at nadir (0°)
Dia. Circle of light at 50% of FC

LM-80 Qualified • LM-79 Certified Photometry

* LED manufacturers maintain a tolerance of ±7% on flux (lumens) and power (electrical) measurements. Kirlin photometrics are actual test data from Independent Testing Laboratories (ITL) where photometry was measured from 3742 lumen (64W) light engines (within the established tolerance).

* Dia. (in ft.) shown is where FC value is half the FC at nadir.

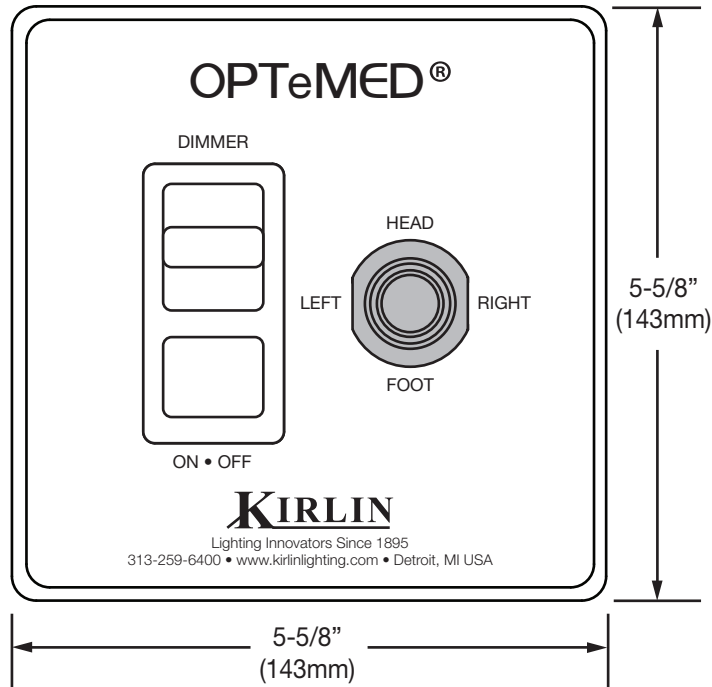
MRR-12642

OPTeMED®
1 LIGHT SYSTEM - 360°

LED MOTORIZED WALL CONTROLLED
ADJUSTABLE LIGHTING SYSTEM

WALL CONTROL PANEL

(INSTALLED IN ROOM WALL - NOT TO SCALE)



- **Switches for:**
 - Power
 - Intensity (dimmer or brighter); 100% to 10% range
- **Joystick for:**
 - Directional control of luminaire (rotates 360°; tilts up to 35°, or up to 50° with Option -81)
 - IP65 rated
- **Convenient one hand operation**
- **Smooth surfaces for easy cleaning**

SUBMITTAL DATA

APPROVAL STAMP

JOB NAME

TYPE

VOLTAGE

CATALOG NUMBER

