

OPTeMED®

2 LIGHT SYSTEM - 360°

MRR-12640

LED Motorized
High CRI / R9
Recessed Patient
Lighting System

- ICU • CCU • ED
- NICU/PICU
- PATIENT ROOM
- CATH LAB



Performance: Cool LED beams with excellent color rendering of red tissue and skin tones: 95+ CRI (with high R9, R13 and R15). Up to 9300 footcandles delivered from the two light system.

Function: Precise adjustability of direction and brightness. Light beams may be superimposed or aimed separately.

Design: Inconspicuous, fully recessed lensed motorized luminaires with smooth white BioGard™ anti-microbial finish.

Use: Fast, single-hand adjustability using wall control. Each light independently controlled. Silent movement.

KIRLIN

THE KIRLIN COMPANY

3401 EAST JEFFERSON AVENUE • DETROIT, MICHIGAN 48207-4232
(313) 259-6400 • Fax: (313) 259-3121 • www.kirlinlighting.com • info@kirlinlighting.com



MRR-12640 OPTeMED® 2 LIGHT SYSTEM - 360°

LED MOTORIZED WALL CONTROLLED ADJUSTABLE LIGHTING SYSTEM

Features

This lighting system features **two** fully recessed **luminaires** plus a **wall control**:

Each LED Luminaire Offers:

- 3000 delivered lumens
-  Exclusive OPTeCOLOR™ LEDs with 95+ CRI, high R9 value of 85, cool beam and 60,000 hour life (L70); standard 3500°K, optional 5000°K
- Rotates 360° and tilts up to 35° either side of nadir; optional 15° bottom pan allows lighthouse to tilt up to 50° in one direction
- 0-10V CCR 100-10% dimming
- Architectural BioGard™ anti-microbial white regressed smooth flare trim with tempered clear flat glass lens
- IP65 optional 
- Lightweight construction for easy installation in any ceiling (21 pounds)

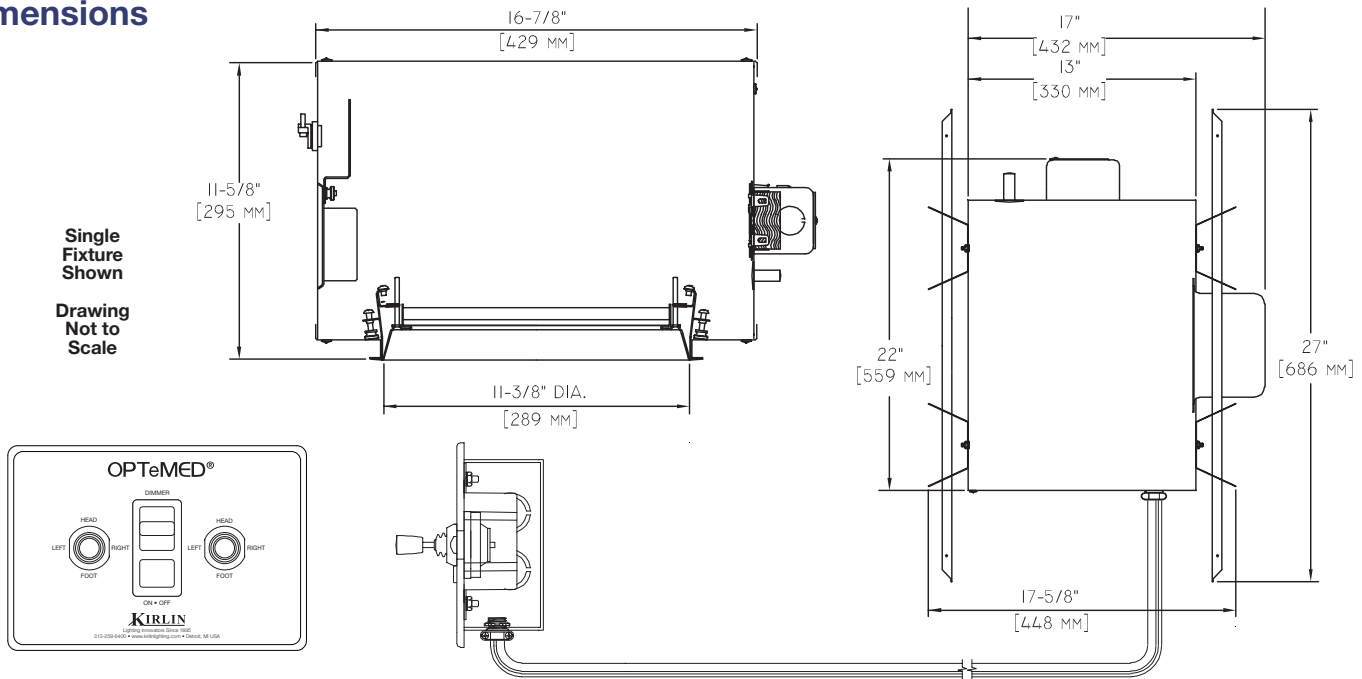
- Completely serviceable through the aperture; convenient plug-in components for easy installation and service
- Meets IEC/EN 60601-1-2 electromagnetic compatibility standard for medical electrical equipment. FCC Part 15 certified for EMI/RFI emissions

Wall Control Offers:

- One hand operation of controls: joystick for direction; slide dimmer for intensity (100-10%); pushbutton for power on-off
- Independent direction control of each light
- Light beams may be aimed at 2 sites or superimposed
- Smooth surfaces for easy cleaning with isopropyl alcohol

UL, C-UL (Canada) Listed • Exclusive Three Year Warranty • Designed and Produced in U.S.A.

Dimensions



Options The following Options are available for MRR-12640. Add Option as suffix to catalog number. Example: MRR-12640-IP-SE.

Input Power

- 120 120V (50-60Hz) input and thermal protector.
- 58 277/120 volt stepdown transformer for 277 volt line input, prewired into each fixture; with 277 volt thermal protector.
- 97 For other input supply voltages, consult factory.
- 98 347/120 volt stepdown transformer for 347 volt line input, prewired into each fixture; with 120 volt thermal protector.

Color Temperature (CCT)

- 41K 4100°K instead of 3500°K. 95+ CRI.
- 50K 5000°K instead of 3500°K. 95+ CRI.

Trim

- 32 White oversize trim ring. Specify O.D.
- 94 Custom color self-flanged flare trim instead. Consult factory.
- IP IP65 rated trim and lens.

Other

- 81 15° bottom pan achieves 50° high angle illumination in one direction. Maximum recessed depth 15-1/8".

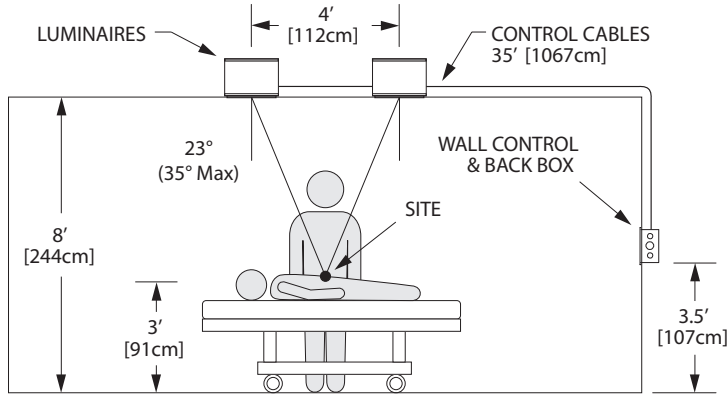
- 87 Custom length (> 35 feet) plenum rated wall control cables (4). Specify length in feet.
- 99 Special modification. Consult factory.
- SE Fixtures modified for seismic anchorage (by others). Meets California OSHPD and International Building Codes. Consult factory.

LED MOTORIZED WALL CONTROLLED ADJUSTABLE LIGHTING SYSTEM

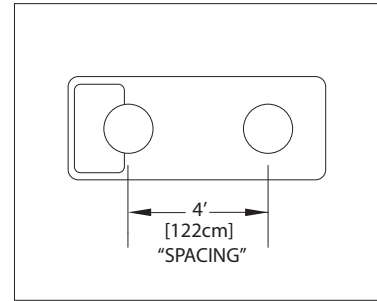
OPTeMED®
2 LIGHT SYSTEM - 360°

MRR-12640

Typical Side View

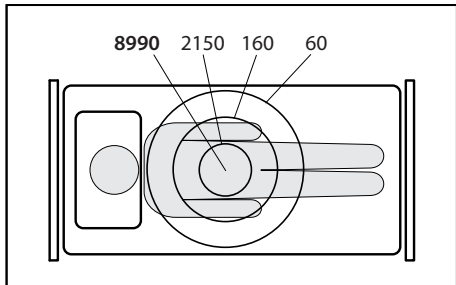


Typical Top View

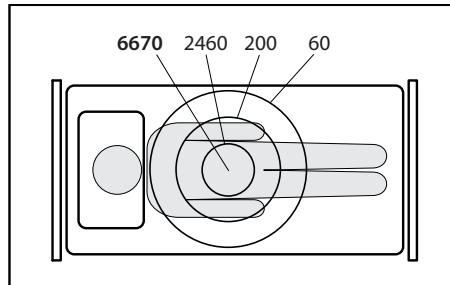


For optimal performance, fixtures should be placed 4' apart

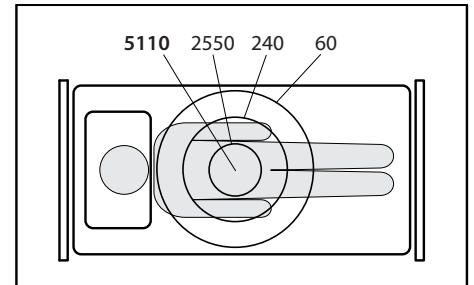
OPTeMED™ Footcandle Distribution Data - Two Luminaires 4' Spacing



8' Ceiling: 3' Work Plane 8990 fc
3'4" Work Plane 10000 fc



9' Ceiling: 3' Work Plane 6670 fc
3'4" Work Plane 7330 fc



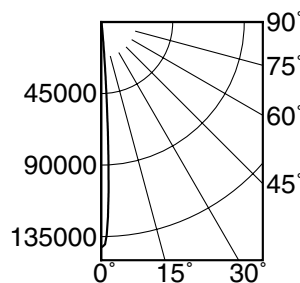
10' Ceiling: 3' Work Plane 5110 fc
3'4" Work Plane 5570 fc

Performance at a Glance* - One Luminaire

Photometric testing by I.T.L. (Boulder, CO)
I.T.L. Test No. 83197

Lumens: 2720
Beam: ~7°
ITL Test: 83197

One luminaire -
photometry shown
straight down 0° tilt



Cone of Light*

Ft.	FC	Dia.
6.0	3939.1	0.7
8.0	2215.8	1.0
10.0	1418.1	1.2
12.0	984.8	1.4
14.0	723.5	1.7
16.0	553.9	1.9

Total System Watts

120V (Standard): 140W
277V (Option -58): 140W
347V (Option -98): 150W

Cone of Light Key

Ft. Distance from fixture
FC Footcandles at nadir (0°)
Dia. Circle of light at 50% of FC

* Dia. (in ft.) shown is where FC value is half the FC at nadir.

LM-80 Qualified • LM-79 Certified Photometry

* LED manufacturers maintain a tolerance of ±7% on flux (lumens) and power (electrical) measurements. Kirlin photometrics are actual test data from Independent Testing Laboratories (ITL) where photometry was measured from 3742 lumen (64W) light engines (within the established tolerance).

OPTeMED® is a registered trademark of The Kirlin Company.

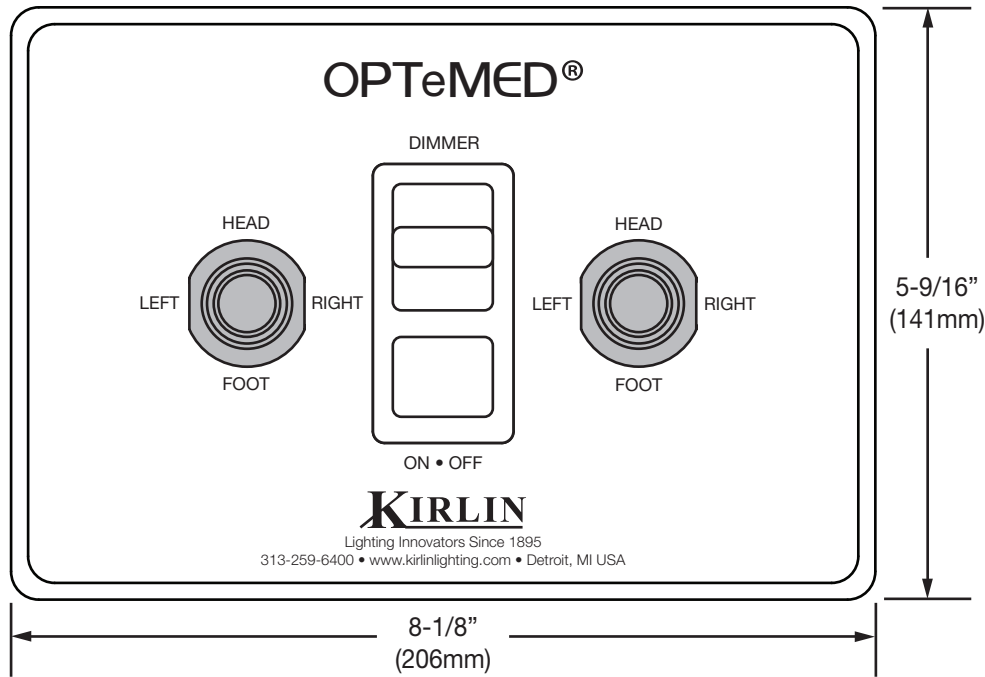
MRR-12640

OPTeMED®
2 LIGHT SYSTEM - 360°

LED MOTORIZED WALL CONTROLLED
ADJUSTABLE LIGHTING SYSTEM

WALL CONTROL PANEL

(INSTALLED IN ROOM WALL - NOT TO SCALE)



- **Switches for:**
 - Power
 - Intensity (dimmer or brighter); 100% to 10% range
- **Joystick (2) for:**
 - Directional control of each luminaire (rotates 360°; tilts up to 35°, or up to 50° with Option -81)
 - IP65 rated
- **Convenient one hand operation**
- **Smooth surfaces for easy cleaning**

SUBMITTAL DATA

APPROVAL STAMP

JOB NAME

TYPE

VOLTAGE

CATALOG NUMBER



THE KIRLIN COMPANY

3401 EAST JEFFERSON AVENUE • DETROIT, MICHIGAN 48207-4232
(313) 259-6400 • Fax: (313) 259-3121 • www.kirlinlighting.com • info@kirlinlighting.com