

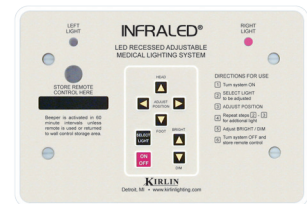
INFRALED®

2 LIGHT SYSTEM - 360°

MRR-12620

LED Remote Controlled
Motorized
Recessed Patient
Lighting System

- ICU • CCU • ED
- NICU/PICU
- PATIENT ROOM
- CATH LAB



Performance: Cool LED beams with excellent color rendering of red tissue and skin tones: 95+ CRI (with high R9, R13 and R15). Up to 9300 footcandles delivered from the two light system.

Function: Precise adjustability of direction and brightness. Light beams may be superimposed or aimed separately.

Design: Inconspicuous, fully recessed luminaires. Redundant controls, components ensures light in case a component fails.

Use: Fast, single-hand adjustability using either infrared remote or wall control. Maintenance free 60,000 hour life LEDs.

KIRLIN

THE KIRLIN COMPANY

3401 EAST JEFFERSON AVENUE • DETROIT, MICHIGAN 48207-4232
(313) 259-6400 • Fax: (313) 259-3121 • www.kirlinlighting.com • info@kirlinlighting.com



MRR-12620 **INFRALED®** 2 LIGHT SYSTEM - 360°

LED INFRARED REMOTE CONTROLLED ADJUSTABLE LIGHTING SYSTEM

Features

This lighting system features **two** fully recessed **luminaires** plus a **wall control** and a **remote control**:

Each Luminaire Offers:

- Up to 3000 delivered lumens
-  Exclusive OPTeCOLOR™ LEDs with 95+ CRI, high R9 value of 85, cool beam and 60,000 hour life (L70)
- Rotates 360° and tilts up to 35° either side of nadir; optional 15° bottom pan allows lighthouse to tilt up to 50° in one direction
- 0-10V CCR 100-10% dimming
- BioGard™ anti-microbial white regressed smooth flare architectural trim with tempered clear flat glass lens
- IP65 optional 
- Lightweight construction for easy installation in any ceiling (27 pounds)
- Completely serviceable through the aperture; convenient plug-in components for easy installation and service
- Meets IEC/EN 60601-1-2 electromagnetic compatibility standard for medical electrical equipment. FCC Part 15 certified for EMI/RFI emissions

Wall Control / Remote Offers:

- Full control of each light from both wall control and remote control
- Tactile membrane controls for power, fixture selection, intensity (100-10%) and direction
- Independent aiming of each light; light beams may be aimed at 2 sites or superimposed
- Smooth surfaces for easy cleaning with isopropyl alcohol

Wall Control Also Features:

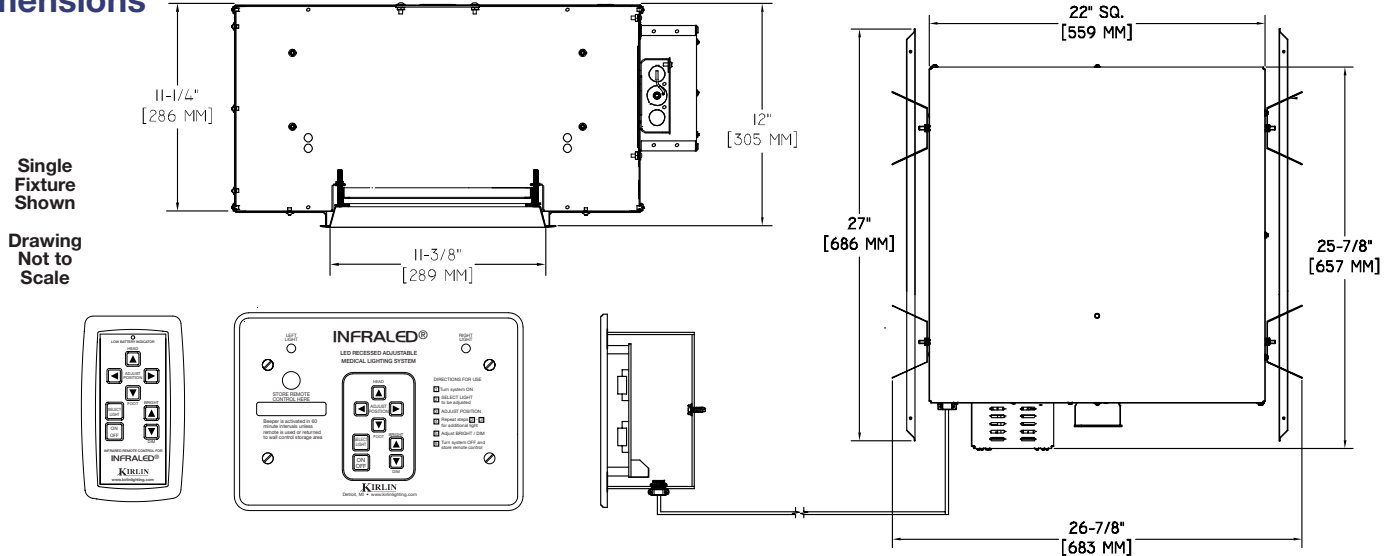
- Magnetic docking station for remote control storage
- Non-conductive wall plate assembly

Remote Control Also Features:

- Infrared control signals are invisible and will not interfere with other medical equipment.
- Durable; withstands common mishaps (dropped on the floor)
- Exclusive loss deterring beeper

UL, C-UL (Canada) Listed • Type IC Rated • Exclusive Three Year Warranty • Designed and Produced in U.S.A.

Dimensions



Options

The following Options are available for MRR-12620. Add Option as suffix to catalog number. Example: MRR-12620-IP-SE.

Input Power

- 120 120V (50-60Hz) input and thermal protector.
- 58 277/120 volt stepdown transformer for 277 volt line input, prewired into each fixture; with 277 volt thermal protector.
- 97 For other input supply voltages, consult factory.
- 98 347/120 volt stepdown transformer for 347 volt line input, prewired into each fixture; with 120 volt thermal protector. Adds 10 watts to each fixture load.

Color Temperature (CCT)

- 41K 4100°K instead of 3500°K. 95+ CRI.
- 50K 5000°K instead of 3500°K. 95+ CRI.

Trim

- 32 White oversize trim ring. Specify O.D.
- 94 Custom color self-flanged flare trim instead. Consult factory.
- IP IP65 rated trim and lens.

Other

- 81 15° bottom pan achieves 50° high angle illumination in one direction. Maximum recessed depth 15-1/8".

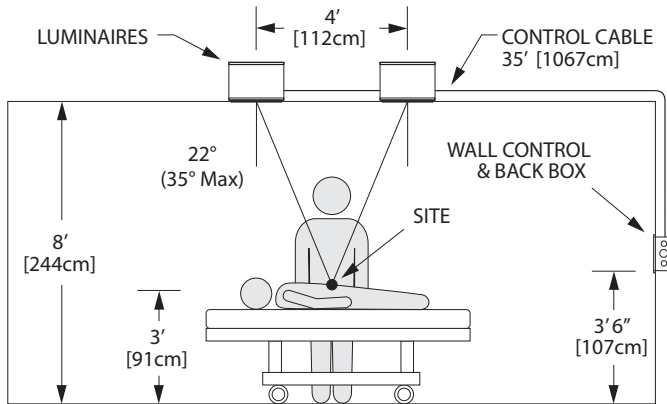
- 87 Custom length (> 35 feet) plenum rated wall control cables (4). Specify length.
- 99 Special modification. Consult factory.
- BI Beeper (remote control) inactivated by factory.
- RC Extra remote control.
- RS Remote infrared sensor with 35' cable.
- SE Fixtures modified for seismic anchorage (by others). Meets California OSHPD and International Building Codes.

LED INFRARED REMOTE CONTROLLED ADJUSTABLE LIGHTING SYSTEM

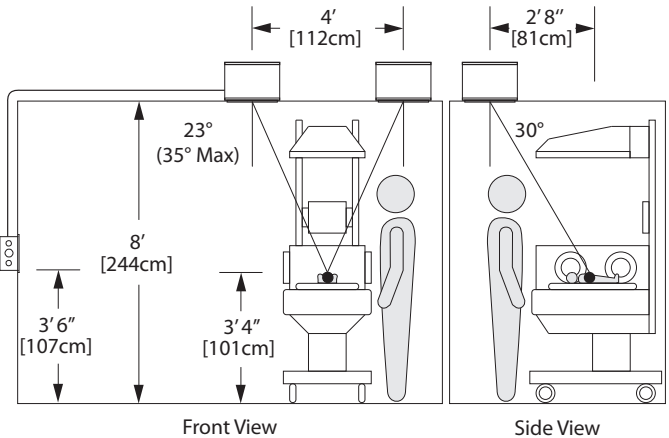
INFRARED® 2 LIGHT SYSTEM - 360°

MRR-12620

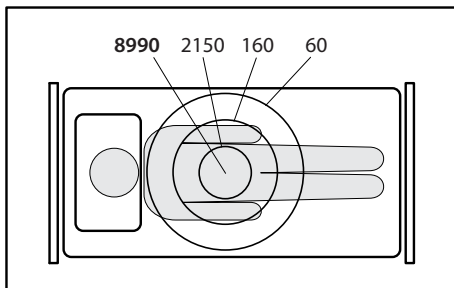
Typical Patient Room



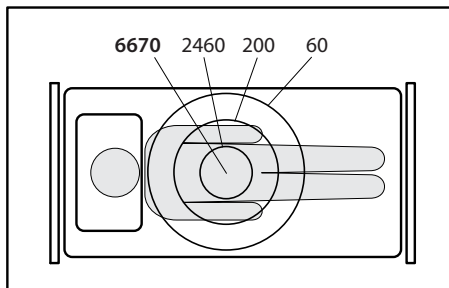
Typical NICU



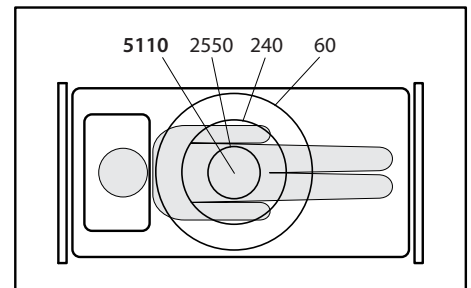
INFRARED® Footcandle Performance - Two Luminaires 4' Spacing



8' Ceiling: 3' Work Plane 8990 fc
3' 4" Work Plane 10000 fc



9' Ceiling: 3' Work Plane 6670 fc
3' 4" Work Plane 7330 fc



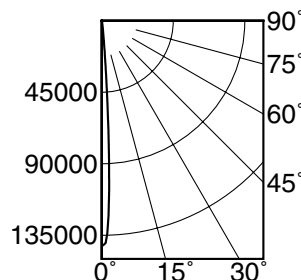
10' Ceiling: 3' Work Plane 5110 fc
3' 4" Work Plane 5570 fc

Performance at a Glance* - One Luminaire

Photometric testing by I.T.L. (Boulder, CO)
I.T.L. Test No. 83197

Lumens: 2720
Beam: ~7°
ITL Test: 83197

One luminaire -
photometry shown
straight down 0° tilt



Cone of Light*

Ft.	FC	Dia.
6.0	3939.1	0.7
8.0	2215.8	1.0
10.0	1418.1	1.2
12.0	984.8	1.4
14.0	723.5	1.7
16.0	553.9	1.9

Total System Watts (2 luminaires)

120V (Standard): 140W
277V (Option -58): 140W
347V (Option -98): 160W

Cone of Light Key

Ft. Distance from fixture
FC Footcandles at nadir (0°)
Dia. Circle of light at 50% of FC

* Dia. (in ft.) shown is where FC value is half the FC at nadir.

LM-80 Qualified • LM-79 Certified Photometry

* LED manufacturers maintain a tolerance of ±7% on flux (lumens) and power (electrical) measurements. Kirlin photometrics are actual test data from Independent Testing Laboratories (ITL) where photometry was measured from 3742 lumen (64W) light engines (within the established tolerance).

MRR-12620

INFRALED® 2 LIGHT SYSTEM - 360°

LED INFRARED REMOTE CONTROLLED ADJUSTABLE LIGHTING SYSTEM

The lighting system includes both an infrared remote control and a flush wall control panel. Both provide full control of the lighting system including on/off, direction, intensity and fixture selection. A designated magnetic docking station on the wall control panel has been provided for storage of the remote control when not in use.

Remote and Wall Control Features:

- Redundant full function controls for:
 - Power
 - Fixture selection
 - Intensity (dimmer or brighter)
 - Direction (rotates 360° with tilt up to 35° from either side of nadir.
- Convenient one hand operation.
- Tactile-membranes and smooth surfaces for easy cleaning.

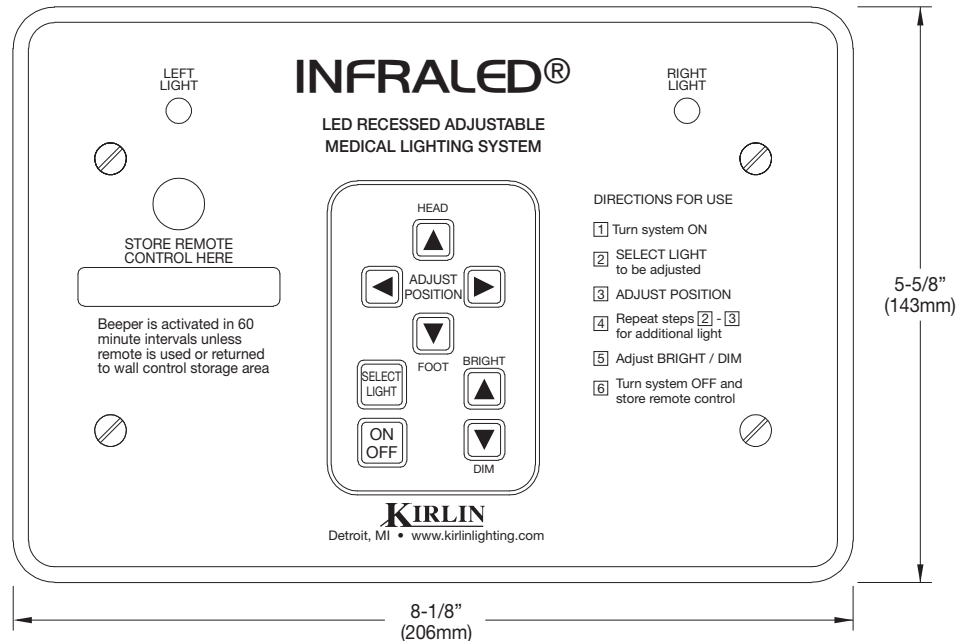
Wall Control (only) Features:

- Includes infrared receiver.
- "Right" and "Left" fixture indicator lights.
- Magnetic docking station for remote control.
- Less than 1 microamp current leakage from front of wall control panel.
- Back box provided by Kirlin.

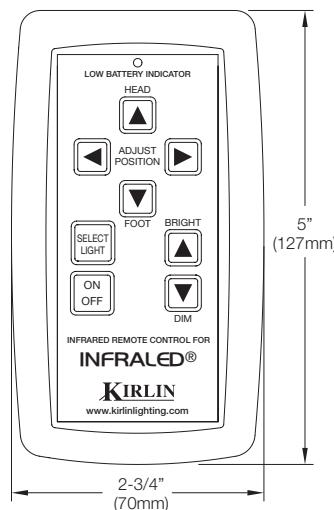
Remote Control (only) Features:

- Invisible infrared signal will not interfere with other equipment in the room.
- Impact resistant construction to withstand common mishaps (dropped on floor).
- Loss deterring beeper to remind user to return remote to docking station on wall control panel. Beeper is activated if remote control is not used for, nor returned to wall control panel within 1 hour.
- 9 volt standard battery provided.
- Low stand-by current assures long battery life.
- Back side has special "write-on" area for marking room location.

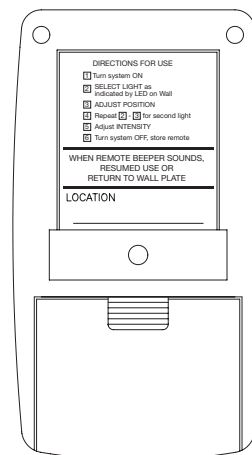
WALL CONTROL PANEL (INSTALLED IN ROOM WALL)



REMOTE CONTROL FRONT



REMOTE CONTROL BACK



SUBMITTAL DATA

JOB NAME

TYPE

VOLTAGE

CATALOG NUMBER

APPROVAL STAMP

