

CATALOG #	TYPE
JOB NAME	VOLTAGE

MRR-08558-5000L
MRR-08558-3500L

Cleanroom / Hybrid OR LED 8" Adjustable

LM-80 Qualified • LM-79 Certified Photometry
Up to 60,000 Hour Life • Antimicrobial Trim



Available -
See
Options

Sealed Housing
& Trim



Specifications

Delivered System Performance*

- Lumen Series: **MUST SPECIFY**
- 5000L: 5000 nominal lumens (55W).
- 3500L: 3500 nominal lumens (42W).
- Distribution: NFL standard.
- Color temperature: 3500°K standard. Optional: -27K, -30K, -41K or -50K.
- CRI: 80+ standard. Optional: -HC (90+).
- 60,000 hour life (L70).
- Fully sustainable: removable for servicing.

Thermal Protection: SPECIFY VOLTAGE

- Thermal protector for insulation detection per UL/NEC. Must specify input voltage.

Thermal Management System

- All aluminum heat sink, components and housing maximize cool operation and long life while minimizing maintenance.

Center Beam Optics

- Self-aligns with trim for optimal performance.
- Hot aiming by hand. Tilts from 0° to 35° in 1° increments and locks in place.
- Rotates full 360° and locks in place.
- Accommodates sloped ceilings up to 35°.

LED Power Supply - INTERNAL

- Suitable for outdoor / indoor use: -30°C (-22°F) to 60°C (140°F).
- 120-277V / 50-60Hz standard. Load insensitive.
- 0-10V CCR dimming standard. (100-10%)**

Trim and Lens Assembly

- Rustproof 100% aluminum grooveless, smooth, self-flanged trim. Regressed tempered microprismatic glass lens.
- Kirlin BioGard™ antimicrobial white finish continuously inhibits growth of bacteria on the coating of the trim.

Cleanroom, IP65 5X Sealed and Gasketed

- (1) Silicone seal between trim and lens seals lens to trim, (2) closed cell gasketing between trim and housing flange seals trim to housing, (3) closed cell gasketing on trim flange seals flange to ceiling (4) closed cell gasketing on bottom pan seals housing to ceiling and (5) neoprene O-rings on stainless steel fasteners seal fasteners to trim.

Acrylic Enameled Aluminum Housing

- Rustproof and corrosion resistant: Exceeds 1000 hour ASTM 5% salt spray test.
- Cool operation: Extends life of all components.
- Fully sustainable: Entire luminaire, including LED light engine, is modular, easily visible and serviced through aperture.
- Built-in plaster flange.
- Sealed housing and junction box. Meets/ exceeds ASTM E283 restricted airflow (2 CFM maximum). CCEA Chicago Plenum Approved.

Outlet Box

- UL listed J-box with insulated removable cover. Prewired 14 GA (NEC) with ½" and ¾" knockouts.

Installation

- Recess indoor or outdoor.
- Accommodates ceilings up to 1-1/8" thick.
- Compatible with fire rated enclosures (by others).
- 27" galvanized hanger bars with adjustable mounting brackets (2) supplied.

UL, C-UL (Canada) Listings

- Wet, damp or dry locations, covered ceilings.
- Thru-branch conductors (4 #12 AWG 90°C).

IEC & FCC Compliance

- Meets IEC/EN 60601-1-2 electromagnetic compatibility standard for medical electrical equipment.
- FCC Part 15 certified for EMI/RFI emissions.



FIVE YEAR
Limited Warranty

- Complete standard fixture.

MUST SPECIFY		OPTIONAL	Ordering Example: MRR-08558-5000L-120-30K-EM
Product Number	Voltage	Options	
MRR-08558-5000L MRR-08558-3500L	-120 (120 volts) -277 (277 volts) -97 (Specify other)	See "Options" below	

Options

Input Power: SPECIFY

- 120 120V (50-60Hz) input for thermal protector.
- 277 277V (50-60Hz) input for thermal protector.
- 97 Specify other voltage. Consult factory.

LED Power Supply

- 29 **Two wire** full range (100-1%) PWM dimming instead (Lutron). Consult factory. 120V only. Not available with Option -EI.
- D1 0-10V 1.0% dimming instead.
- D2 0-10V 0.1% dimming instead.

- D3 DALI 1.0% dimming instead.
- D4 DALI 0.1% dimming instead.
- D5 DMX512A 0% dimming instead.
- ECO Digital driver for Lutron EcoSystem controls. Dims to 1% or consult factory.
- EI REMOTE emergency inverter for 50% of rated lumens. Run time: 90+ minutes. 120 or 277V, 60Hz input only. Specify voltage. Not for use with Option -29 or -FS.
- ERH REMOTE emergency battery pack. Delivers 1000 lumens. Run time: 90+ minutes. CEC compliant.

Color Temperature (CCT)

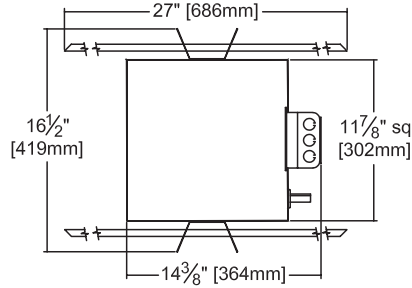
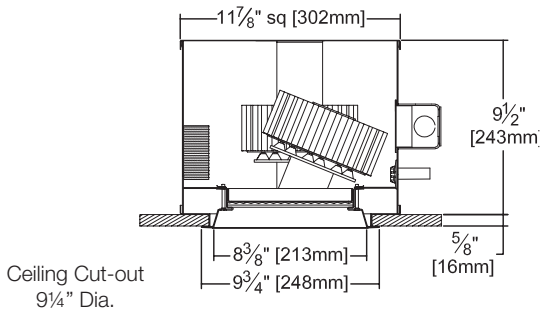
- 27K Color temperature 2700°K instead.
- 30K Color temperature 3000°K instead.
- 41K Color temperature 4100°K instead.
- 50K Color temperature 5000°K instead.
- HC 90+ CRI instead. Consult factory.

Other

- 99 Special modification. Consult factory.
- FS Single in-line fuse. Not for use with Option -EI.
- NS NSF approved fixture.



Dimensions



Footcandle Distribution Data

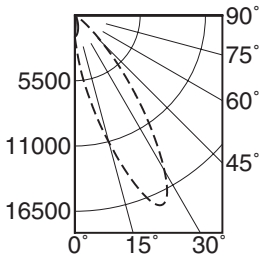
- Notes:
1. All lighting levels are expressed in average footcandles, with distances expressed in feet, as measured at the work plane (3'6").
 2. The work plane (3'6") is defined as: examination bed height, plus patient body depth.

Photometry from I.T.L., Boulder, CO

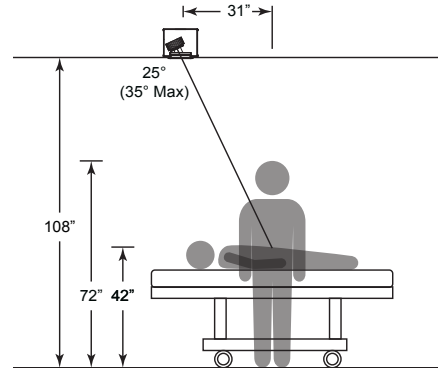
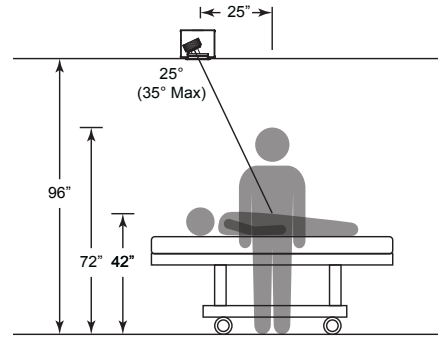
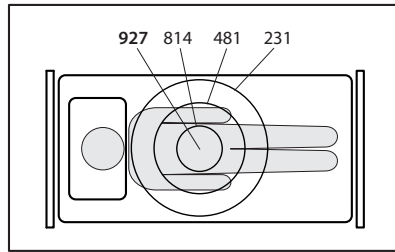
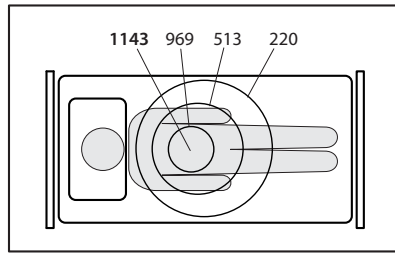
Photometric testing done in accordance with IESNA LM-79

-5000L STANDARD (NFL)

Lumens: 4796
Beam: ~25°
SC: 0.5
LPW: 84
Efficiency: 80.7%
ITL Test: 87781



Total System Watts 57.3



LM-80 Qualified • LM-79 Certified Photometry

* LED manufacturers maintain a tolerance of ±7% on flux (lumens) and power (electrical) measurements. Kirlin photometrics are actual test data from Independent Testing Laboratories (ITL) where photometry was measured from 5946 lumen (-5000L) light engines (within the established tolerance).

See following page for -3500L performance

SUBMITTAL DATA

JOB NAME _____
TYPE _____ VOLTAGE _____
CATALOG NUMBER _____

APPROVAL STAMP



LIMITED WARRANTY: CATALOGUED KIRLIN FIXTURES ARE WARRANTED FREE OF DEFECTS IN WORKMANSHIP OR MATERIAL FOR FIVE YEARS FROM DATE OF PURCHASE. INSTALLATION TO N.E.C. IN NORMAL USE. Manufacturer at the option will replace or repair such fixture or refund the purchase price on presentation of proof of purchase and defective fixture to the office of manufacturer within the years of original shipment. Liability of manufacturer shall not be liable for any other damages, direct or indirect, sustained or suffered by purchaser or any person. This warranty is supplied to the buyer in place of all other warranties, expressed or implied. Seller does not warrant as to merchantability or fitness for a particular use, nor will any oral statement constitute a warranty or amend the specific warranty. Abnormal use, abuse of the fixture, improper installation, or repair or modification of the fixture without prior written authorization from the manufacturer will render the warranty void.

Footcandle Distribution Data

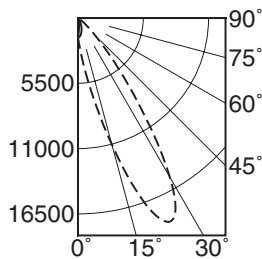
Photometry from UL Verification Services, Allentown, PA

- Notes:
1. All lighting levels are expressed in average footcandles, with distances expressed in feet, as measured at the work plane (3'6").
 2. The work plane (3'6") is defined as: examination bed height, plus patient body depth.

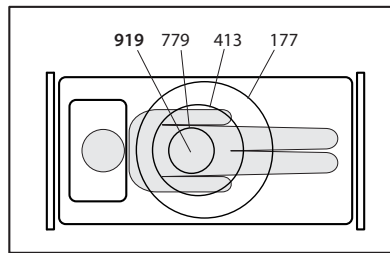
Photometric testing done in accordance with IESNA LM-79

-3500L STANDARD (NFL)

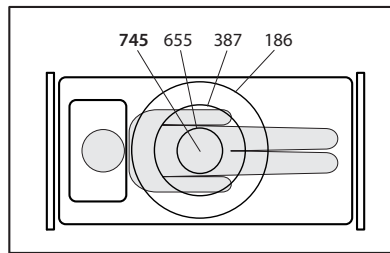
Lumens: 3856
 Beam: ~22°
 SC: 0.4
 LPW: 90
 Efficiency: 80.9%
 ITL Test: 88289



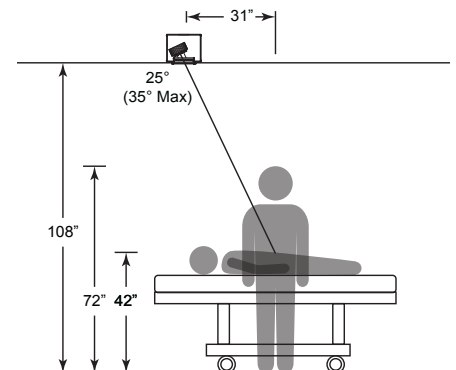
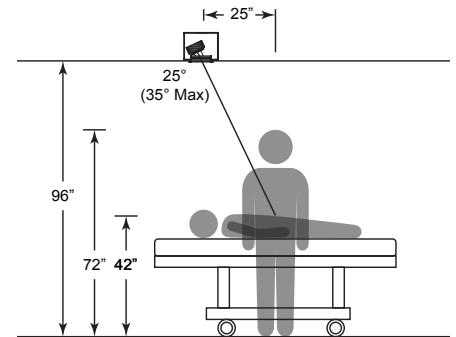
Total System Watts 42.8



fc on Task: 8' Ceiling 3'6" Work Plane



fc on Task: 8'6" Ceiling 3'6" Work Plane



LM-80 Qualified • LM-79 Certified Photometry

* LED manufacturers maintain a tolerance of ±7% on flux (lumens) and power (electrical) measurements. Kirlin photometrics are actual test data from Independent Testing Laboratories (ITL) where photometry was measured from 4768 lumen (-3500L) light engines (within the established tolerance).

THE KIRLIN COMPANY

3401 EAST JEFFERSON AVENUE • DETROIT, MICHIGAN 48207-4232
 (313) 259-6400 • Fax: (313) 259-9409 OR (313) 259-3121 • www.kirlinlighting.com