

CATALOG #	TYPE	
JOB NAME	WATTAGE	VOLTAGE

# Lighting for Patient Spaces

## Sealed & Gasketed IP65 Adjustable 8" LED Exam Light

Up to 60,000 Hour Rated Life • ISO 5/Class 100 Clean Room (-SH)  
Antimicrobial Trim • LM-80 Qualified • LM-79 Certified Photometry

# MRR-08535



## Specifications

### Delivered System Performance\*

- Lumen Series: **Must Specify**
  - 5000L (55W)
  - 3500L (42W)
- Distribution: NFL
- Color temperature: 3500°K standard; optional: -27K, -30K or -41K
- CRI: 80+ standard; optional: -HC (90+)
- 60,000 Hour Rated Life (L70)
- Fully sustainable: removable for servicing

### Thermal Protection: SPECIFY VOLTAGE

- Thermal protector for insulation detection per UL/NEC; must specify input voltage

### Thermal Management System

- Aluminum heat sink and components for cool operation, long life, and low maintenance

### Center Beam Optics

- Self-aligns with trim for optimal performance
- Hot aiming by hand
- Tilts from 0° to 35° in 1° increments and locks in place
- Rotates full 360° and locks in place
- Accommodates sloped ceilings up to 35°

### LED Driver - INTERNAL

- Indoor/Outdoor: -30°C to 60°C (-22°F to 140°F)
- 0-10V CCR dimming standard (100-10%)
- Voltage Options: **Must Specify**
  - 120: -120V (50-60Hz); load insensitive
  - 277: -277V (50-60Hz); load insensitive

### Trim and Lens Assembly

- Rustproof 100% aluminum grooveless, smooth, self-flanged trim
- Kirlin BioGard™ antimicrobial white finish continuously inhibits growth of bacteria on the coating of the trim
- Regressed tempered microprismatic glass lens; see Option-GE for green filter

### IP65 Sealed & Gasketed Trim

- Liquid silicone seals between trim and lens
- O-rings seal stainless fasteners to trim
- Meets ASTM E283 restricted airflow of 2CFM

### Acrylic Enameled Aluminum Housing

- Rustproof: exceeds 1000 hour ASTM 5% salt spray test; all components fully sustainable
- Shallow depth for restricted plenums
- Cool operation extends component life
- Modular design; visible and fully serviceable through aperture
- Built-in plaster flange

### Outlet Box (Galvanized)

- UL listed J-box with insulated removable cover; prewired 14 GA (NEC) with 1/2" and 3/4" knockouts

### Installation & Hardware

- Indoor/outdoor in ceilings up to 1 1/8" thick
- Compatible with fire rated enclosures (by others)
- 27" galvanized hanger bars & adjusting brackets (2) supplied

### UL, C-UL (Canada) Listings

- Wet, damp or dry locations, covered ceilings
- Through-branch conductors (4 #12 AWG 90°C)

### IEC & FCC Compliance

- Meets IEC/EN 60601-1-2 electromagnetic compatibility standard for medical electrical equipment
- FCC Part 15 certified for EMI/RFI emissions

### FIVE YEAR Limited Warranty

- Complete standard fixture

## Options and Ordering Configuration

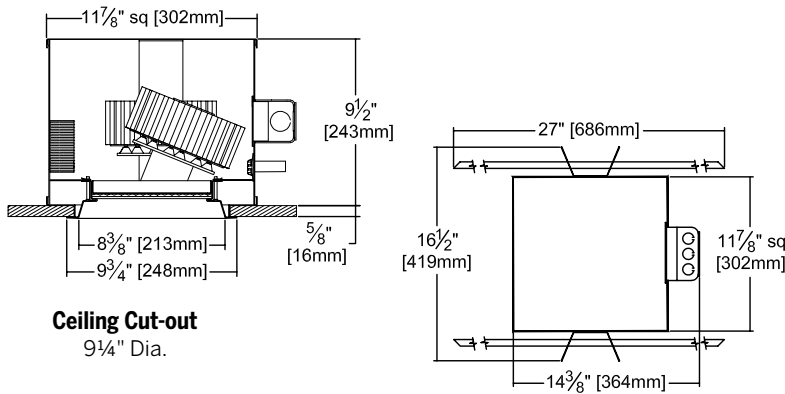
(Example: MRR-08535-5000L-120-30K-ECO)



Must Specify			Optional				
Model	Lumens	Volts	CCT & CRI	Driver Options	Emergency	Trim & Lens Options	Other Options
MRR-08535	-5000L -3500L	-120 -277  -97: Other voltage; consult factory	(Blank): 35K, 80+ CRI  <b>80+ CRI</b> -27K: 2700°K -30K: 3000°K -35K: 3500°K -41K: 4000°K -50K: 5000°K  <b>90+ CRI</b> -27K-HC: 2700°K -30K-HC: 3000°K -35K-HC: 3500°K -41K-HC: 4000°K -50K-HC: 5000°K	(Blank): Standard 0-10V CCR 10% dim  -D1: 0-10V 1.0% dim -D2: 0-10V 0.1% dim -D3: DALI 1.0% dim -D4: DALI 100-0.1% dim -D5: DMX512A 0.1% dim -ECO: For use with Lutron EcoSystem controls; dims to 1% or consult factory	(Blank): None  -EI: Remote emergency inverter for 50% of rated lumens; 90+ minutes; 60Hz input only; N/A for option -FS -ERH: Remote emergency battery pack; delivers 1000 lumens; 90+ minutes (CEC Compliant)	(Blank): White trim, regressed prismatic lens  <b>Trim Finishes</b> -BKBG: BioGard™ antimicrobial black -94BG: BioGard™ antimicrobial custom color finish  <b>Other Trim Features</b> -GE: Green filter behind lens	(Blank): None  -99: Special modification; consult factory -AWN: Athena Wireless Node; N/A for Dimming Options, -D5 -ECO -FS: Fused primary; One per fixture; not for use with option -EI -NS: NSF approved fixture -SH: Sealed housing and J-box; provides Cleanroom Rated luminaire (ISO 5 Class 100)  <b>*Note:</b> For other integrated control solutions, such as nLight, contact factory

\*See note next page

## Dimensions



## Infection Control Levels

Level	Option	Infection Protection
2	Standard	BioGard™ IP65, IP65
3	-SH	BioGard™ IP65, ISO 5/ Class 100

## Footcandle Distribution Data

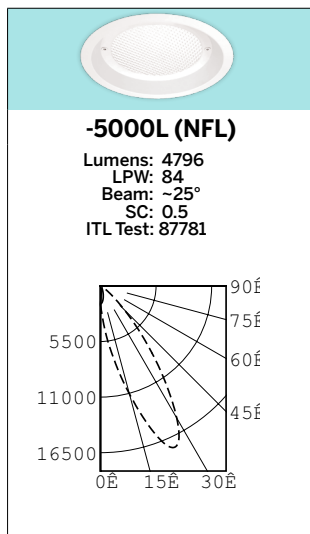
### Notes:

- All lighting levels are expressed in average footcandles, with distances expressed in feet, as measured at the work plane (3'6")
- The work plane (3'6") is defined as: examination bed height, plus patient body depth

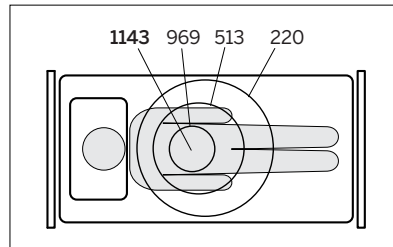
## Photometry - Installed Complete Fixture

Photometry from I.T.L., Boulder, CO

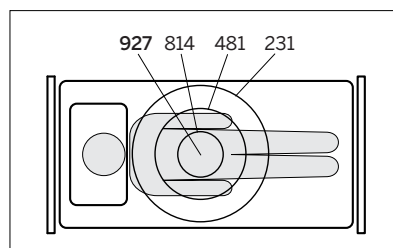
LM-79 IESNA Certified Photometry from Independent Lab



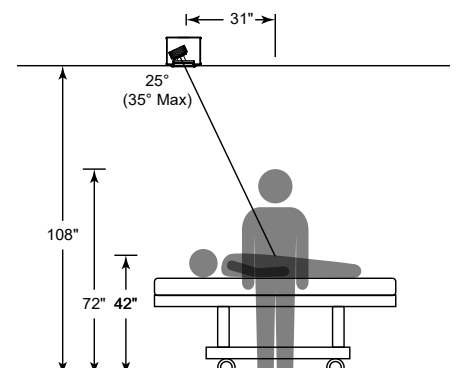
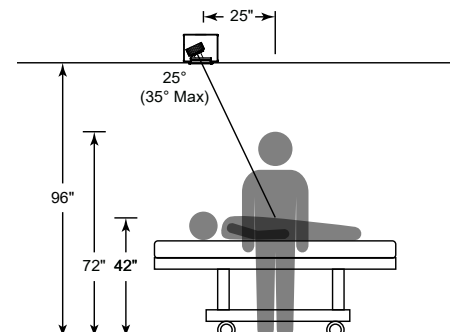
Total System Watts 57.3



fc on Task: 8' Ceiling 3'6" Work Plane



fc on Task: 8'6" Ceiling 3'6" Work Plane



\*LED manufacturers maintain a tolerance of +/-7% on flux (lumens) and power (electrical) measurements.

See following page for -3500L performance

LIMITED WARRANTY: KIRLIN LIGHTING FIXTURES ARE WARRANTED FREE OF DEFECTS IN WORKMANSHIP OR MATERIAL FOR FIVE YEARS FROM DATE OF PURCHASE. INSTALLATION, IN-NORMAL USE, MANUFACTURER'S NEGLIGENCE, OR REPAIR OF THE FIXTURE WITHOUT PRIOR PATENT SPACES. THE PURCHASE PRICE OR REPRESENTATION OF PRODUCT OF PURCHASE AND SPECIFICATIONS OF THE OFFICE OF MANUFACTURER WITHIN THE MEANS OF ORIGINAL SHIPMENT. LIABILITY OF MANUFACTURER IS LIMITED TO THE FOREGOING AND MANUFACTURER SHALL NOT BE LIABLE FOR ANY OTHER DAMAGES, DIRECT OR INDIRECT, SUSTAINED OR SUFFERED BY PURCHASER OR ANY PERSON. THIS WARRANTY IS APPLIED TO THE BUYER IN PLACE OF ALL OTHER WARRANTIES, EXPRESSED OR IMPLIED. SELLER DOES NOT WARRANT AS TO MERCHANTABILITY OR FITNESS FOR A PARTICULAR USE, NOR WILL ANY ORAL STATEMENT CONSTITUTE A WARRANTY OR AMEND THIS SPECIFIC WARRANTY. ABNORMAL USE, ABUSE OF THE FIXTURE, IMPROPER INSTALLATION, OR REPAIR OR MODIFICATION OF THE FIXTURE WITHOUT PRIOR WRITTEN AUTHORIZATION FROM THE MANUFACTURER WILL RENDER THE WARRANTY VOID. NOVEMBER 2024

