

CATALOG #	TYPE	
JOB NAME	WATTAGE	VOLTAGE

# Lighting for Patient Spaces

## Sealed & Gasketed 7" Downlight • LED

Type IC • Wet Location • ISO 5/Class 100 Clean Room (-SH)  
LM-80 Qualified • LM-79 Certified Photometry

# MRR-07830



## Specifications

### Delivered System Performance\*

- Nominal Lumens: **Must Specify**

**Type-IC**  
**-2000L**  
**-1500L**

- Select trim & beam distribution: see chart
- Select color (CCT): see chart; 80+ CRI standard; Option -HC for 90+ (15% lumen loss)
- 60,000 Hour Rated Life (L70)

### Thermal Management System

- Aluminum heat sink and components for cool operation, long life, and low maintenance

### LED Driver - INTERNAL

- Indoor/Outdoor: -30°C to 60°C (-22°F to 140°F)
- 0-10V CCR dimming standard (100-10%)
- Voltage Options: **Must Specify**  
**-120:** -120V (50-60Hz); load insensitive  
**-277:** -277V (50-60Hz); load insensitive

### Trim/Lens Assembly

- Rustproof 100% aluminum grooveless trim, smooth, self-flanged white trim
- Kirlin BioGard™ antimicrobial white finish continuously inhibits growth of bacteria on the coating of the trim
- Regressed tempered prismatic spread lens

### IP65 Sealed and Gasketed

- Liquid silicone seal between trim and lens
- Closed cell housing flange gasketing seals trim to housing
- Closed cell trim flange gasketing seals flange to sealing
- Closed cell gasketing on bottom pan seals housing to ceiling
- O-rings seal stainless steel fasteners to trim

### Acrylic Enameled Aluminum Housing

- Rustproof and corrosion resistant; exceeds 1000 hour ASTM 5% salt spray test; all components fully sustainable
- Shallow depth fits restricted plenums
- Cool operation extends component life
- Modular design; visible and fully serviceable through aperture
- Built-in plaster flange

### Outlet Box (Galvanized)

- UL listed J-box with removable cover. Prewired 14 GA (NEC) with 1/2" and 3/4" knockouts

### Installation & Hardware

- Indoor/outdoor in ceilings up to 1 1/8" thick
- Compatible with fire rated enclosures (by others)

- 27" galvanized hanger bars & adjusting brackets (2) supplied

### UL, C-UL (Canada) Listings

- Wet, damp or dry locations, covered ceilings
- Type IC: for direct contact with insulation
- Through-branch conductors (4 #12 AWG 90°C) for Type IC listing

### IEC & FCC Compliance

- Meets IEC/EN 60601-1-2 electromagnetic compatibility standard for medical electrical equipment
- FCC Part 15 certified for EMI/RFI emissions

### FIVE YEAR Limited Warranty

- Complete standard fixture

## Options and Ordering Configuration

(Example: MRR-07830-2000L-277-41K-SPT-35T-SH)

ISO 5/Class 100  
See Option -SH

NSF  
Certified

IP65

Made in the USA

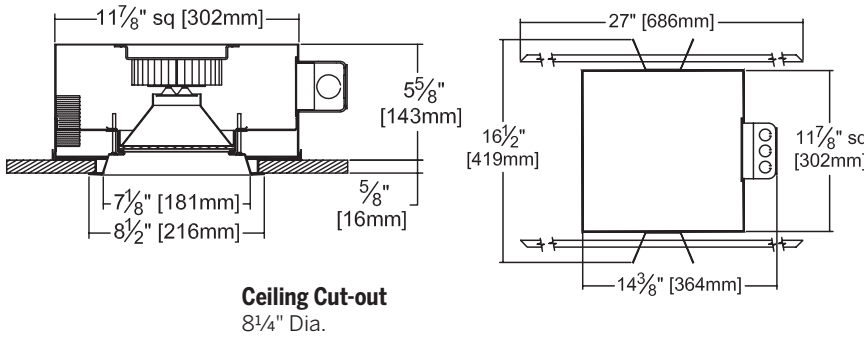
BioGard™

FCC Part 15  
Certified

UL Listed  
Wet, Damp, Dry

Must Specify			Optional					
Model	Lumens	Volts	CCT & CRI	Beam	Driver Options	Emergency	Lens & Trim Options	Other Options
MRR-07830	-2000L -1500L	-120 -277 -97†: Other voltage	(Blank): 3500K, 80+ CRI  <b>80+ CRI</b> -27K: 2700°K -30K: 3000°K -35K: 3500°K -41K: 4100°K -50K: 5000°K  <b>90+ CRI</b> -27K-HC: 2700°K -30K-HC: 3000°K -35K-HC: 3500°K -41K-HC: 4100°K -50K-HC: 5000°K	(Blank): MFL  <b>-SPT</b> <b>-NFL</b> <b>-MFL</b> <b>-WFL</b>	(Blank): Standard 0-10V CCR 10% dim  <b>-D1:</b> 0-10V 1.0% dim <b>-D2†:</b> 0-10V 0.1% dim <b>-D3†:</b> DALI 1.0% dim <b>-D4†:</b> DALI 100-0.1% dim <b>-D5†:</b> DMX512A 0% dim	(Blank): None  <b>-EI:</b> Remote emergency inverter for 100% of rated lumens; 90+ minutes; 120V or 277V, 60Hz input only; specify voltage; N/A for option -FS  <b>-ERH:</b> Remote emergency battery pack; delivers 1000 lumens; CEC Compliant; 90+ minutes	(Blank): Kirlin BioGard antimicrobial white finish trim with lens above  <b>Trim Finishes</b> <b>-35T:</b> Silver enamel trim <b>-94:</b> Custom color; consult factory  <b>Other Trim Features</b> <b>-13:</b> Clear poly lens below lens. Photometric distribution unaffected <b>-17:</b> Prismatic high strength acrylic lens instead <b>-23:</b> Frosted microprismatic lens instead <b>-CF:</b> Custom color filter (Rosco). Specify <b>-DF:</b> Electrically isolated trim <b>-GE:</b> Green acrylic filter mounted in lens assembly <b>-NS:</b> NSF approved fixture <b>-WA:</b> White acrylic (flat) diffuser instead; will produce wide flood distribution	(Blank): None  <b>-99:</b> Special modification; consult factory  <b>-AWN:</b> Athena Wireless Node; N/A for Dimming Option -D5  <b>-FS:</b> Fused primary; One per fixture; not for use with Option -EI  <b>-SH:</b> Sealed housing and junction box. Provides Cleanroom Rated luminaire (ISO 5 Class 100)  <b>*Note:</b> For other integrated control solutions, such as nLight, contact factory
		† Consult factory			† Consult factory for use with -2000L			

## Dimensions



**Ceiling Cut-out**  
8 1/4" Dia.

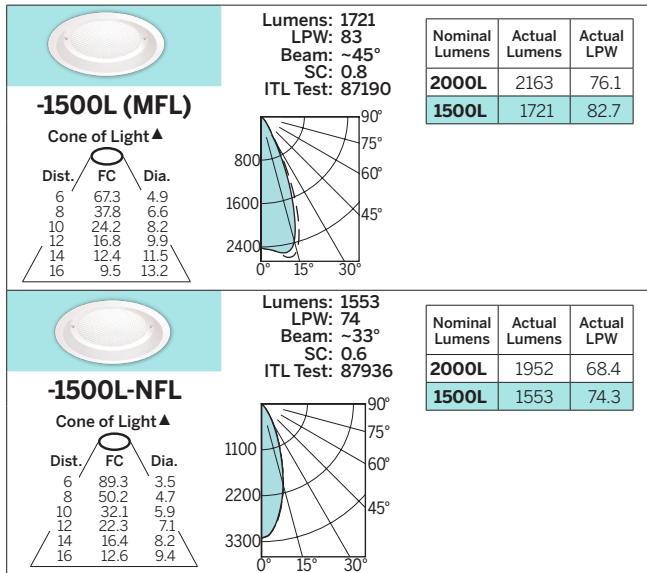
## Performance Factors

NOMINAL LUMENS	LUMEN FACTOR	NOMINAL WATTS	LPW FACTOR
-2000L	1.257	28.5	0.92
-1500L	1.00	20.8	1.00

## Photometry - Installed Complete Fixture

Photometry from I.T.L., Boulder, CO

LM-79 IESNA Certified Photometry from Independent Lab



## Available Infection Control Levels

Level	Option	Infection Protection
2	Standard	BioGuard™ IP <sub>65</sub> IP65
3	-SH	BioGuard™ IP <sub>65</sub> IP65  ISO 5 / Class 100

\*LED manufacturers maintain a tolerance of +/-7% on flux (lumens) and power (electrical) measurements.

▲ **Cone of Light Key**  
Dia. (in ft.) shown is where FC value is half the FC at nadir.

**Dist.** Distance (Ft.) from fixture  
**FC** Footcandles at nadir (0°)  
**Dia.** Circle of light at 50% of FC