

CATALOG #	TYPE	
JOB NAME	WATTAGE	VOLTAGE

Lighting for Patient Spaces

Adjustable 7" LED Exam Light

Up to 60,000 Hour Life • Antimicrobial Trim • Wet Location
LM-80 Qualified • LM-79 Certified Photometry

MRR-07505



Specifications

Delivered System Performance*

- Lumen Series: **Must Specify**
 - 5000L (55W)
 - 3500L (42W)
- Distribution: NFL
- Color temperature: 3500°K standard; optional: -27K, -30K or -41K
- CRI: 80+ standard; optional: -HC (90+)
- 60,000 hour life (L70)
- Fully sustainable: removable for servicing

Thermal Protection: SPECIFY VOLTAGE

- Thermal protector for insulation detection per UL/NEC; must specify input voltage

Thermal Management System

- Aluminum heat sink and components for cool operation, long life, and low maintenance

Center Beam Optics

- Self-aligns with trim for optimal performance
- Hot aiming by hand
- Tilts from 0° to 35° in 1° increments and locks in place
- Rotates full 360° and locks in place
- Accommodates sloped ceilings up to 35°

LED Driver - INTERNAL

- Indoor/Outdoor: -30°C to 60°C (-22°F to 140°F)
- 0-10V CCR dimming standard (100-10%)
- Voltage Options: **Must Specify**
 - 120: -120V (50-60Hz); load insensitive
 - 277: -277V (50-60Hz); load insensitive

Trim and Lens Assembly

- Rustproof 100% aluminum grooveless, smooth, self-flanged trim
- Kirlin BioGard™ antimicrobial white finish continuously inhibits growth of bacteria on the coating of the trim
- Regressed tempered microprismatic glass lens

Acrylic Enameled Aluminum Housing

- Rustproof: exceeds 1000 hour ASTM 5% salt spray test; all components fully sustainable
- Cool operation extends component life
- Modular design; visible and fully serviceable through aperture
- Built-in plaster flange

Outlet Box (Galvanized)

- UL listed J-box with insulated removable cover; prewired 14 GA (NEC) with 1/2" and 3/4" knockouts

Installation & Hardware

- Indoor/outdoor in ceilings up to 1 1/8" thick
- Compatible with fire rated enclosures (by others)
- 27" galvanized hanger bars & adjusting brackets (2) supplied

UL, C-UL (Canada) Listings

- Wet, damp or dry locations, covered ceilings
- Through-branch conductors (4 #12 AWG 90°C)

IEC & FCC Compliance

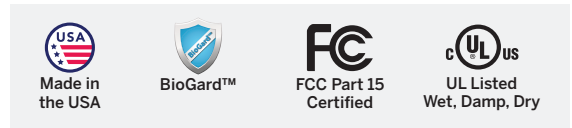
- Meets IEC/EN 60601-1-2 electromagnetic compatibility standard for medical electrical equipment
- FCC Part 15 certified for EMI/RFI emissions

FIVE YEAR Limited Warranty

- Complete standard fixture

Options and Ordering Configuration

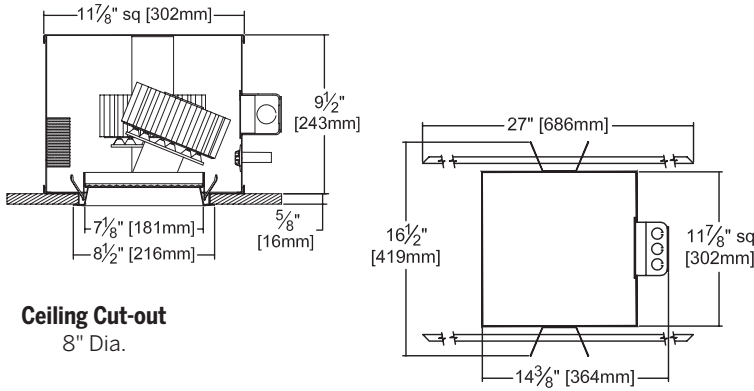
(Example: MRR-07505-5000L-120-30K-45)



Must Specify			Optional				
Model	Lumens	Volts	CCT & CRI	Driver Options	Emergency	Trim & Lens Options	Other Options
MRR-07505							
	-5000L -3500L	-120 -277 -97: Other voltage; consult factory	(Blank): 35K, 80+ CRI 80+ CRI -27K: 2700°K -30K: 3000°K -35K: 3500°K -41K: 4100°K -50K: 5000°K 90+ CRI -27K-HC: 2700°K -30K-HC: 3000°K -35K-HC: 3500°K -41K-HC: 4100°K -50K-HC: 5000°K	(Blank): Standard 0-10V CCR 10% dim -D1: 0-10V 1.0% dim -D2: 0-10V 0.1% dim -D3: DALI 1.0% dim -D4: DALI 100-0.1% dim -D5: DMX512A 0.1% dim -ECO: For use with Lutron EcoSystem controls; dims to 1% or consult factory	(Blank): None -EI: Remote emergency inverter for 50% of rated lumens; 90+ minutes; 60Hz input only; N/A for option -FS -ERH: Remote emergency battery pack; delivers 1000 lumens; 90+ minutes (CEC Compliant)	(Blank): White trim, regressed prismatic lens -32: White trim extender; specify OD -45: Gasket between trim flange and ceiling -46: Gasket between trim and lens	(Blank): None -99: Special modification; consult factory -FS: Fused primary; One per fixture; not for use with option -EI

*See note next page

Dimensions



Infection Control Levels

Level	Option	Infection Protection
1	Standard	BioGard™

Footcandle Distribution Data

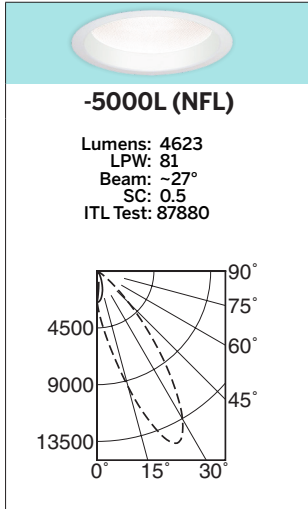
Notes:

- All lighting levels are expressed in average footcandles, with distances expressed in feet, as measured at the work plane (3'6")
- The work plane (3'6") is defined as: examination bed height, plus patient body depth

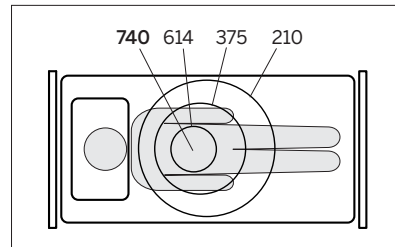
Photometry - Installed Complete Fixture

Photometry from I.T.L., Boulder, CO

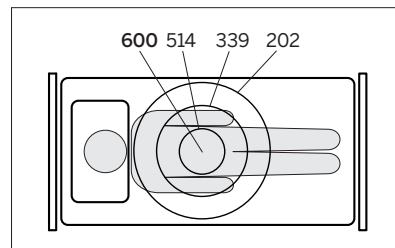
LM-79 IESNA Certified Photometry from Independent Lab



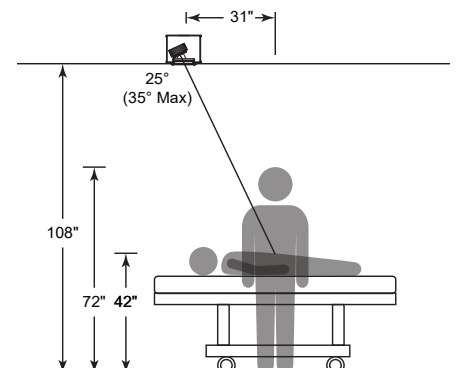
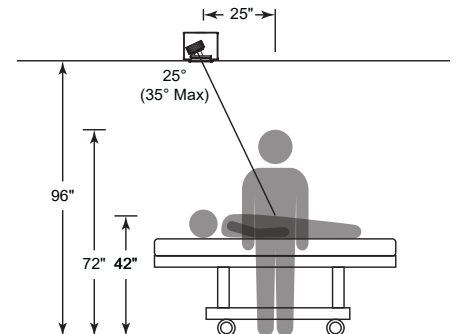
Total System Watts 57.3



fc on Task: 8' Ceiling 3'6" Work Plane



fc on Task: 8'6" Ceiling 3'6" Work Plane



*LED manufacturers maintain a tolerance of +/-7% on flux (lumens) and power (electrical) measurements.

See following page for -3500L performance

LIMITED WARRANTY: KIRLIN FIXTURES ARE WARRANTED FREE OF DEFECTS IN WORKMANSHIP OR MATERIAL FOR FIVE YEARS FROM DATE OF PURCHASE. INSTALLATION, IN-NORMAL USE, MANUFACTURER'S LIABILITY, AND/OR REPAIR OF THE FIXTURE WITHOUT PRIOR WRITTEN AUTHORIZATION FROM THE MANUFACTURER WILL RENDER THE WARRANTY VOID. THE PURCHASE PRICE OR REPRESENTATION OF PRODUCT OF PURCHASE AND DECLINE IN VALUE AT THE OFFICE OF MANUFACTURER WITHIN THE MEANS OF ORIGINAL SHIPMENT. LIABILITY OF MANUFACTURER IS LIMITED TO THE Ongoing AND MANUFACTURER SHALL NOT BE LIABLE FOR ANY OTHER DAMAGES, DIRECT OR INDIRECT, SUSTAINED OR SUFFERED BY PURCHASER OR ANY PERSON. THIS WARRANTY IS APPLIED TO THE BUYER IN PLACE OF ALL OTHER WARRANTIES, EXPRESSED OR IMPLIED. SELLER DOES NOT WARRANT AS TO MERCHANTABILITY OR FITNESS FOR A PARTICULAR USE, NOR WILL ANY ORAL STATEMENT CONSTITUTE A WARRANTY OR AMEND THIS SPECIFIC WARRANTY. ABNORMAL USE, ABUSE OF THE FIXTURE, IMPROPER INSTALLATION, OR REPAIR OR MODIFICATION OF THE FIXTURE WITHOUT PRIOR WRITTEN AUTHORIZATION FROM THE MANUFACTURER WILL RENDER THE WARRANTY VOID.

PATIENT SPACES
REV. MAR 2023

Footcandle Distribution Data

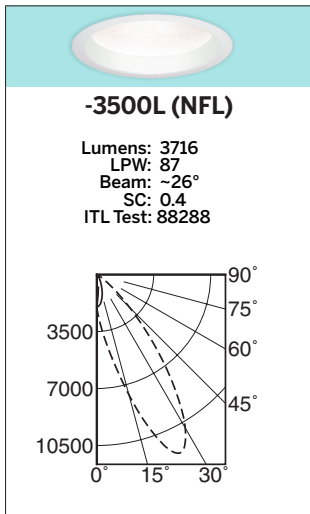
Notes:

1. All lighting levels are expressed in average footcandles, with distances expressed in feet, as measured at the work plane (3'6")
2. The work plane (3'6") is defined as: examination bed height, plus patient body depth

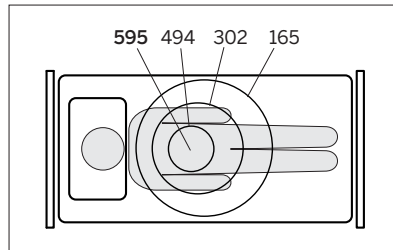
Photometry - Installed Complete Fixture

Photometry from I.T.L., Boulder, CO

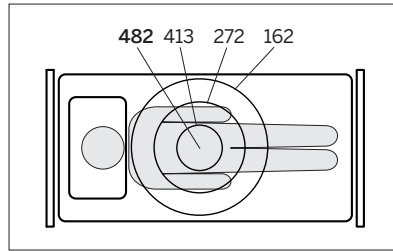
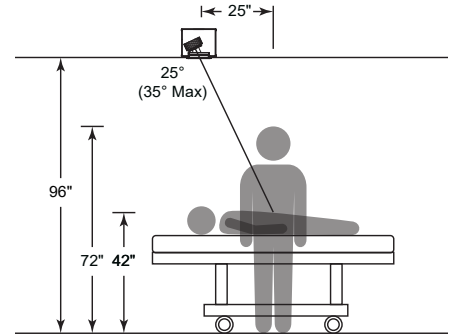
LM-79 IESNA Certified Photometry from Independent Lab



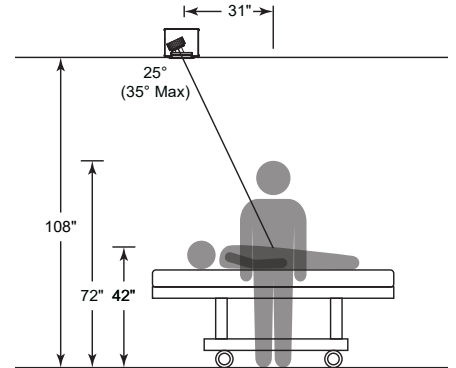
Total System Watts 42.8



fc on Task: 8' Ceiling 3'6" Work Plane



fc on Task: 8'6" Ceiling 3'6" Work Plane



*LED manufacturers maintain a tolerance of +/-7% on flux (lumens) and power (electrical) measurements.

LIMITED WARRANTY: CATALOGED KIRLIN FIXTURES ARE WARRANTED FREE OF DEFECTS IN WORKMANSHIP OR MATERIAL FOR FIVE YEARS FROM DATE OF PURCHASE. INSTALL TO N.E.C. IN NORMAL USE. Manufacturer at his option will replace or repair, such fixture or refund the purchase price of the fixture, if the fixture is found to be defective in workmanship or material. This warranty does not cover damage to the fixture caused by misuse, abuse, or modification of the fixture without prior written authorization from the manufacturer. Seller does not warrant, as to merchantability or fitness for a particular use, nor will any oral statement constitute a warranty or amend this specific warranty. Abnormal use, abuse of the fixture, improper installation, or repair, or modification of the fixture without prior written authorization from the manufacturer will render the warranty void.

PATIENT SPACES
REV. MAR. 2023