

CATALOG #	TYPE	
JOB NAME	WATTAGE	VOLTAGE

Lighting for Patient Spaces

Clean Room 6" Downlight • LED

Type IC • Wet Location • White IP66 Rated Trim
LM-80 Qualified • LM-79 Certified Photometry

MRR-06848



Specifications

Delivered System Performance*

- Nominal Lumens: **Must Specify**
 - Type IC**
 - 2000L**
 - 1500L**
 - 1000L**
- Select trim & beam distribution: see chart
- Select color (CCT): see chart; 80+ CRI standard; Option -HC for 90+ (15% lumen loss)
- 90,000 hour life (L70)

Thermal Management System

- Aluminum heat sink and components for cool operation, long life, and low maintenance

LED Driver - INTERNAL

- Indoor/Outdoor: -30°C to 60°C (-22°F to 140°F)
- 0-10V CCR dimming standard (100-10%)
- Voltage Options: **Must Specify**
 - 120:** -120V (50-60Hz); load insensitive
 - 277:** -277V (50-60Hz); load insensitive

Trim/Lens Assembly

- Smooth white seamless tapered aluminum self-flanged rigid cast trim
- Kirlin BioGard™ antimicrobial white finish continuously inhibits growth of bacteria on the coating of the trim
- High strength prismatic acrylic above .125" clear flat polycarbonate lens. Also see -DA
- Vandal and ligature resistant, see Option -25

IP66 Sealed and Gasketed - Clean Room

- Silicone seal between trim and lens seals lens to trim
- Closed cell gasketing on trim flange seals flange to ceiling
- O-rings on stainless steel fasteners seal fasteners to trim
- ISO 5/Class 100 Sealed Clean Room rated

Acrylic Enameled Aluminum Housing

- Air tight housing and junction box. Meets/exceeds ASTM E283 restricted airflow (2 CFM max). CCEA Chicago Plenum approved
- Rustproof and corrosion resistant: exceeds 1000 hour ASTM 5% salt spray test; all components fully sustainable
- Shallow depth fits restricted plenums
- Cool operation extends component life
- Modular design; visible and fully serviceable through aperture
- Built-in plaster flange

Outlet Box (Galvanized)

- UL listed J-box with removable cover. Prewired 14 GA (NEC) with 1/2" and 3/4" knockouts

Installation & Hardware

- Recesses indoor/outdoor in ceilings up to 1/8" thick
- 27" galvanized hanger bars & adjusting brackets (2) supplied

UL, C-UL (Canada) Listings

- Wet, damp or dry locations, covered ceilings
- Type IC: for direct contact with insulation
- Through-branch conductors (4 #12 AWG 90°C) for Type IC listing

IEC & FCC Compliance

- Meets IEC/EN 60601-1-2 electromagnetic compatibility standard for medical electrical equipment
- FCC Part 15 certified for EMI/RFI emissions

FIVE YEAR Limited Warranty

- Complete standard fixture

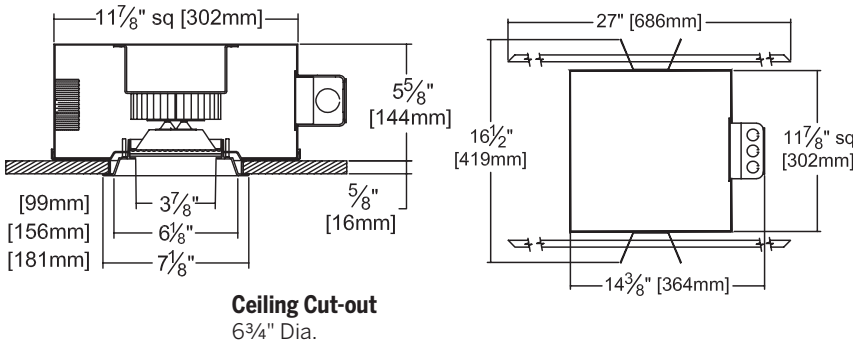


Options and Ordering Configuration

(Example: MRR-06848-2000L-277-41K-MFL-35T-25)

Must Specify			Optional					
Model	Lumens	Volts	CCT & CRI	Beam	Driver Options	Emergency	Lens & Trim Options	Other Options
MRR-06848								
	-2000L -1500L -1000L	-120 -277 -97†: Other voltage	(Blank): 3500K, 80+ CRI 80+ CRI -27K: 2700°K -30K: 3000°K -35K: 3500°K -41K: 4100°K -50K: 5000°K 90+ CRI -27K-HC: 2700°K -30K-HC: 3000°K -35K-HC: 3500°K -41K-HC: 4100°K -50K-HC: 5000°K	(Blank): WFL -NFL -MFL -WFL	(Blank): Standard 0-10V CCR 10% dim -D1: 0-10V 1.0% dim -D2†: 0-10V 0.1% dim -D3†: DALI 1.0% dim -D4†: DALI 100-0.1% dim -D5†: DMX512A 0% dim	(Blank): None -EI: Remote emergency inverter for 100% of rated lumens; 90+ minutes; 120V or 277V, 60Hz input only; specify voltage; N/A for option -FS -ERH: Remote emergency battery pack; delivers 1000 lumens; CEC Compliant; 90+ minutes	(Blank): Kirlin BioGard antimicrobial white finish trim with lens above Trim Finishes -35T: Silver enamel (complete trim) -94: Custom color; consult factory -BN: Brushed nickel cast trim instead (non BioGard) Other Trim Features -25: Vandal resistant trim, hardware, and lensing. Provides ligature and vandal resistance. Not available with NSF rating -CF: Custom color filter (Rosco). Specify -GE: Green acrylic filter mounted in lens assembly -DA: Diffuse acrylic lens above poly instead of prismatic acrylic. -WFL only -NS: NSF approved fixture; N/A with -25 -WA: White acrylic (flat) diffuser instead; will produce wide flood distribution	(Blank): None -99: Special modification; consult factory -FS: Fused primary; One per fixture. not for use with Option -EI
Projected L70** for Kirlin Luminaires								
In Open Plenum		90,000 hours						
In Insulation (Type IC)		60,000 hours						
**Hours at 70% lumen maintenance								

Dimensions



Performance Factors

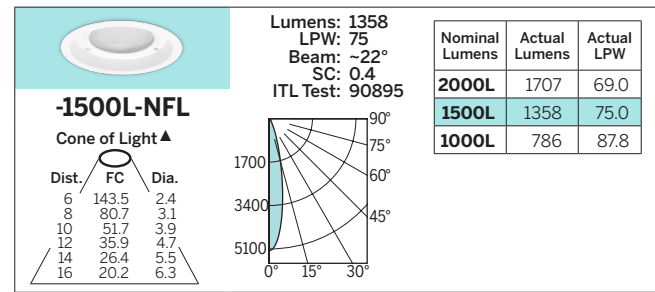
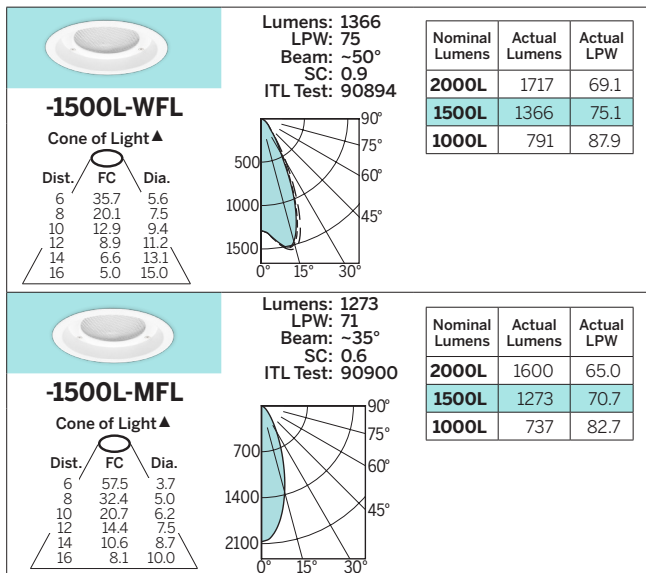
NOMINAL LUMENS	LUMEN FACTOR	NOMINAL WATTS	LPW FACTOR
-2000L	1.257	24.9	0.92
-1500L	1.00	18.2	1.00
-1000L	0.579	9.01	1.17

LIMITED WARRANTY: KIRLIN FIXTURES ARE WARRANTED FREE OF DEFECTS IN WORKMANSHIP OR MATERIAL FOR 5 YEARS FROM DATE OF PURCHASE. INSTALLATION, MAINTENANCE, AND REPAIR MUST BE PERFORMED BY A QUALIFIED PROFESSIONAL. THE PURCHASE PRICE OR REPRESENTATION OF PRODUCT PURCHASE AND DEFECTIVE FAILURE AT THE OFFICE OF MANUFACTURER WITHIN THE 5 YEAR PERIOD OF ORIGINAL WARRANTY IS LIMITED TO THE MANUFACTURER'S LIABILITY. MANUFACTURER SHALL NOT BE LIABLE FOR ANY OTHER DAMAGES, DIRECT OR INDIRECT, SUSTAINED OR SUFFERED BY PURCHASER OR ANY PERSON. THIS WARRANTY IS APPLIED TO THE BUYER IN PLACE OF ALL OTHER WARRANTIES, EXPRESSED OR IMPLIED. SELLER DOES NOT WARRANT AS TO MERCHANTABILITY OR FITNESS FOR A PARTICULAR USE, NOR WILL ANY ORAL STATEMENT CONSTITUTE A WARRANTY OR AMEND THIS SPECIFIC WARRANTY. ABNORMAL USE, ABUSE OF THE FIXTURE, IMPROPER INSTALLATION, OR REPAIR OR MODIFICATION OF THE FIXTURE WITHOUT PRIOR WRITTEN AUTHORIZATION FROM THE MANUFACTURER WILL RENDER THE WARRANTY VOID.

Photometry - Installed Complete Fixture

Photometry from I.T.L., Boulder, CO

LM-79 IESNA Certified Photometry from Independent Lab



Available Infection Control Levels

Level	Option	Infection Protection
3	Standard	BioGard™ IP65 ISO 5 / Class 100

*LED manufacturers maintain a tolerance of +/-7% on flux (lumens) and power (electrical) measurements.

▲ Cone of Light Key
Dia. (in ft.) shown is where FC value is half the FC at nadir.
Dist. Distance (Ft.) from fixture
FC Footcandles at nadir (0°)
Dia. Circle of light at 50% of FC