

CATALOG #	TYPE	
JOB NAME	WATTAGE	VOLTAGE

Lighting for Patient Spaces

Lensed 6" Downlight • LED

Up to 60,000 Hour Rated Life • Wet Location
LM-80 Qualified • LM-79 Certified Photometry

Specifications

Delivered System Performance*

- Nominal Lumens: **Must Specify**
- Non-IC**
- 5000L**
- 3500L**
- 2500L**
- Select trim & beam distribution: see chart
- Select color (CCT): see chart; 80+ CRI standard; Option -HC for 90+ (15% lumen loss)
- 60,000 Hour Rated Life (L70)

Thermal Protection: SPECIFY VOLTAGE

- Thermal protector for insulation detection per UL/NEC. Must specify input voltage

Thermal Management System

- Aluminum heat sink and components for cool operation, long life, and low maintenance

LED Driver - INTERNAL

- Indoor/Outdoor: -30°C to 60°C (-22°F to 140°F)
- 0-10V CCR dimming standard (100-10%)
- Voltage Options: **Must Specify**
- 120:** -120V (50-60Hz); load insensitive
- 277:** -277V (50-60Hz); load insensitive

Trim/Optical Assembly - Fully Gasketed

- Seamless tapered aluminum self-flanged trim with white finish (field paintable)
- Regressed tempered prismatic spread lens

Acrylic Enamelled Aluminum Housing

- Rustproof and corrosion resistant: exceeds 1000 hour ASTM 5% salt spray test; all components fully sustainable
- Shallow depth fits restricted plenums
- Cool operation extends component life
- Modular design; visible and fully serviceable through aperture
- Built-in plaster flange

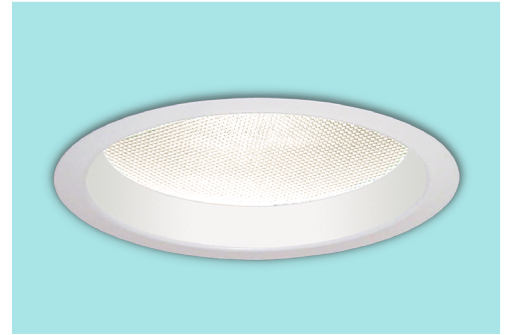
Outlet Box (Galvanized)

- UL listed J-box with insulated removable cover; prewired 14 GA (NEC) with 1/2" and 3/4" knockouts

Installation & Hardware

- Indoor/outdoor in ceilings up to 1 1/8" thick or see Option -79
- Compatible with fire rated enclosures (by others)
- 27" galvanized hanger bars & adjusting brackets (2) supplied

MRR-06815



UL, C-UL (Canada) Listings

- Wet, damp or dry locations, covered ceilings
- Through-branch conductors (4 #12 AWG 90°C) for Type IC listing

IEC & FCC Compliance

- Meets IEC/EN 60601-1-2 electromagnetic compatibility standard for medical electrical equipment
- FCC Part 15 certified for EMI/RFI emissions

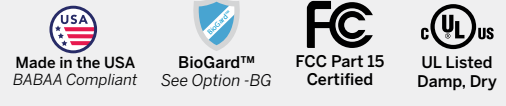
FIVE YEAR Limited Warranty

- Complete standard fixture

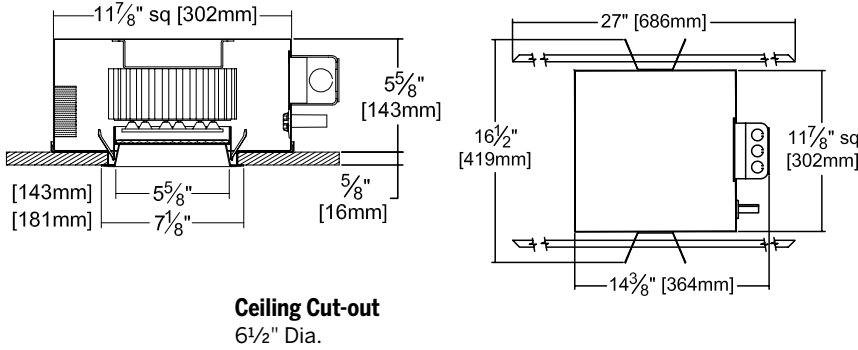
Options and Ordering Configuration

(Example: MRR-06815-2500L-277-41K-NFL-35T-79)

Must Specify			Optional					
Model	Lumens	Volts	CCT & CRI	Beam	Driver Options	Emergency	Lens & Trim Options	Other Options
MRR-06815	-5000L -3500L -2500L	-120 -277 -97†: Other voltage	(Blank): 3500K, 80+ CRI 80+ CRI -27K: 2700°K -30K: 3000°K -35K: 3500°K -41K: 4000°K -50K: 5000°K 90+ CRI -27K-HC: 2700°K -30K-HC: 3000°K -35K-HC: 3500°K -41K-HC: 4000°K -50K-HC: 5000°K	(Blank): MFL -NFL -MFL -WFL	(Blank): Standard 0-10V CCR 1.0% dim -D1: 0-10V 1.0% dim -D2: 0-10V 0.1% dim -D3: DALI 1.0% dim -D4: DALI 100-0.1% dim -D5: DMX512A 0% dim -ECO: Digital driver for Lutron EcoSystem controls. Dims to 1% or consult factory; -3500L max	(Blank): None -EI: Remote emergency inverter for 50% of rated lumens (-5000L or -3500L); N/A for -2500L; 90+ minutes; 120V or 277V, 60Hz input only; specify voltage; N/A for option -FS -EM: Internal emergency battery pack; Delivers 500 lumens; CEC Compliant; 90+ minutes -ERH: Remote emergency battery pack; delivers 1000 lumens; CEC Compliant; 90+ minutes	(Blank): Seamless tapered aluminum trim with white finish Trim Finishes -35T: Silver enamel trim -BG: BioGard™ anti-microbial white -BKBG: BioGard™ anti-microbial black -94: Custom color; consult factory -94BG: BioGard™ anti-microbial custom color finish Other Trim Features -13: Clear poly lens below lens. Photometric distribution unaffected -23: Frosted micropismatic lens instead -32: White trim extender, specify OD -45: Gasket between trim flange and ceiling -CF: Custom color filter (Rosco); specify -WA: White acrylic (flat) diffuser instead; will produce wide flood distribution	(Blank): None Mounting -79: Extension collar; ceilings up to 2" thick Other Options -99: Special modification; consult factory -AWN: Athena Wireless Node; N/A for Dimming Options -D5, -ECO -FS: Fused primary; One per fixture; not for use with Option -EI *Note: For other integrated control solutions, such as nLight, contact factory



Dimensions



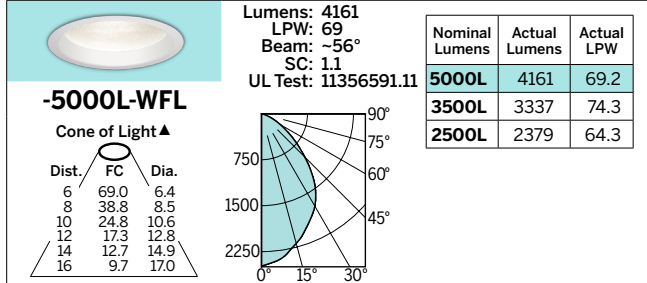
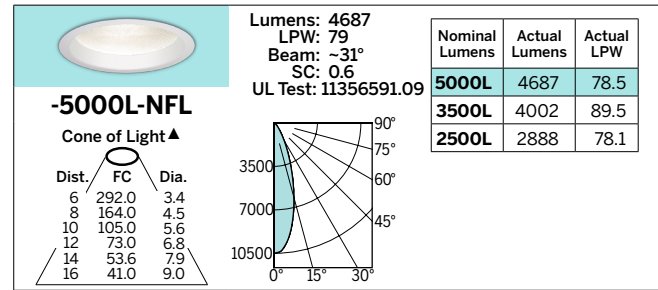
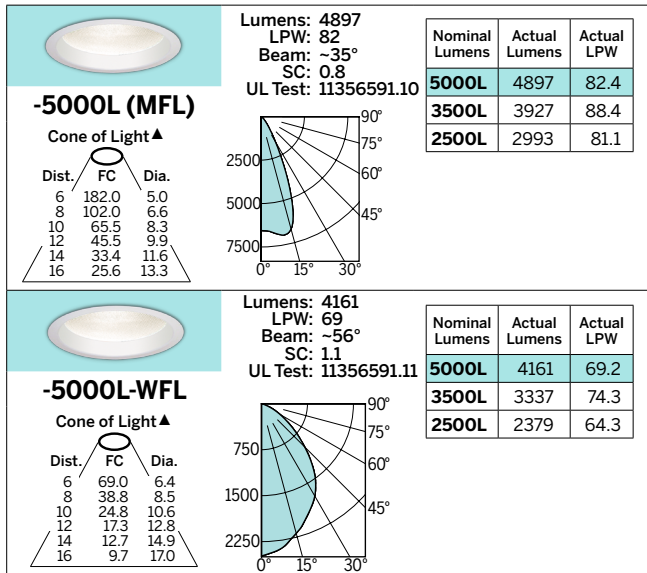
Performance Factors

NOMINAL LUMENS	LUMEN FACTOR	NOMINAL WATTS	LPW FACTOR
-5000L	1.00	59.4	1.00
-3500L	0.80	44.4	1.14
-2500L	0.61	36.9	0.99

Photometry - Installed Complete Fixture

Photometry from I.T.L., Boulder, CO

LM-79 IESNA Certified Photometry from Independent Lab



*LED manufacturers maintain a tolerance of +/-7% on flux (lumens) and power (electrical) measurements.

▲ Cone of Light Key
Dist. Distance (Ft.) from fixture
Dia. (in ft.) shown is where FC value is half the FC at nadir.
FC Footcandles at nadir (0°)
Dia. Circle of light at 50% of FC

LIMITED WARRANTY: KIRLIN LIGHTING FIXTURES ARE WARRANTED FREE OF DEFECTS IN WORKMANSHIP OR MATERIAL FOR FIVE YEARS FROM DATE OF PURCHASE. INSTALLATION TO N.E.C. IN NORMAL USE. Manufacturer at the option will replace or repair such fixture or refund the purchase price on presentation of proof of purchase and defective fixture at the offices of manufacturer within business days of original shipment. Liability of manufacturer is limited to the foregoing, and manufacturer shall not be liable for any other damages, direct or indirect, sustained or suffered by purchaser or any person. This warranty is applied to the buyer in place of all other warranties, expressed or implied. Seller will not accept any statement, constitute a warranty or amend this specific warranty. Abnormal use, abuse of the fixture, improper installation or repair, or modification of the fixture without prior written authorization from the manufacturer will render the warranty void.

PATIENT SPACES
NOVEMBER 2024