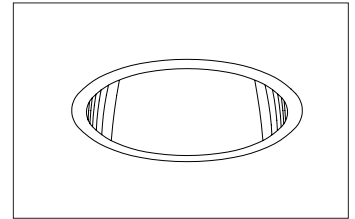


CATALOG #	TYPE	
JOB NAME	WATTAGE	VOLTAGE

6" LED 2450 LUMENS 38 SYSTEM WATTS MRR-06380

SmartLED™ MRI Lighting Systems



Open Appearance Downlight: 2450 Lumens

50,000+ Hour Life (L70)
LM-80 Qualified • LM-79 Certified Photometry

Use With:

- SmartSupply™ LPS-1220A
- SmartFilter™ RFI-3100D

Specifications

LED Light Engine*

- 38 watt LED array. 3500°K standard (or see Option -41K).
- 2450* lumens, 65 lumens per watt (total system).
- 81 CRI, 50,000+ hour life (L70).**
- Fully sustainable: removable for servicing.

Thermal Management System

- All-aluminum proprietary heat sink, components and housing maximize cool operation and long life while minimizing maintenance.

SmartSupply™ (Remote Power Supply) Required - Order Separately

- Digitally controlled. Drives up to 6-38W LED fixtures, with 6 configurable channels.
- 0-100% dimming.
- LPS-1220A: Compatible with 0-10V DC dimming controls. See vendor qualified list in the owner's manual.
- Suitable for dry, non-plenum locations only with ambient temperature range of -20°C (-4°F) to 40°C (104°F). 115 - 277V; 50-60 Hz.

- For more information, see specification sheet for LPS-1220A.

SmartFilter™ (RFI / EMI Filter) Required - Order Separately

- Protects up to 3 SmartSupply channels.
- For more information see specification sheet for RFI-3100D.

Trim

- High efficiency specular clear aluminum self-flanged reflector with tempered prismatic C#73 spread lens above.
- Optional colors and finishes available.

Acrylic Enameled Aluminum Housing

- Rustproof and corrosion resistant. Exceeds 1000 hour ASTM 5% salt spray test.
- Shallow depth fits restricted plenums.
- Cool operation: Extends life of all components.
- Fully sustainable: Entire luminaire, including LED light engine, easily visible and serviced through aperture. Built-in plaster flange.
- Sealed housing design available, see -SH.

Outlet Box

- Prewired, 100% aluminum, U.L. listed.
- Accessible, 1/2" knockouts.

Use of SmartSupply™ and SmartFilter™ REQUIRED or Kirin warranty is null and void

Installation

- Requires minimum 18 AWG twisted pair shielded wire from SmartSupply™ to fixtures.
- Recesses in ceilings up to 1 1/4" thick or see Option -79.
- Aluminum 27" hanger bars with adjustable mounting brackets (2) supplied.

UL, CUL (Canada) Listings

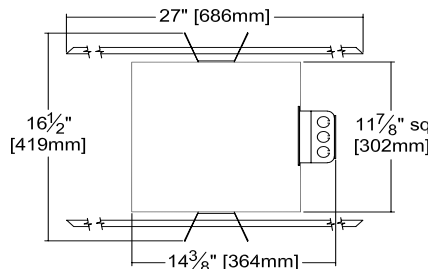
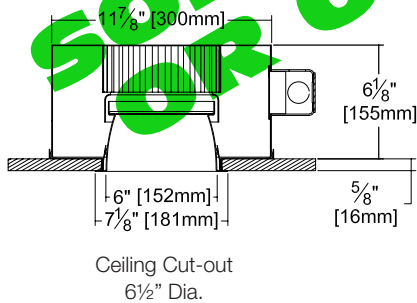
- Wet, damp or dry locations, covered ceilings.
- #### CE & FCC Compliance
- Certified to meet IES 60601-1-2 & EN 60601-1-2 electromagnetic compatibility standard for medical electrical equipment.
 - FCC Part 15 certified for EMI/RFI emissions.

5
Year

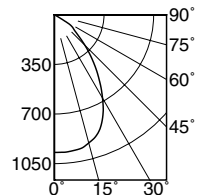
FIVE YEAR Limited Warranty

- Complete standard fixture.

Performance at a Glance



Lumens: 1441
Beam: ~75°
SC: 1.08
Effic: 58.7%
ITL Test: 68385



THE KIRLIN COMPANY

3401 EAST JEFFERSON AVENUE • DETROIT, MICHIGAN 48207-4232
(313) 259-6400 • Fax: (313) 259-9409 OR (313) 259-3121 • www.kirlinlighting.com

* See note next page
** See note next page

SmartLED™ MRI Lighting Systems
Luminaires • SmartSupply • SmartFilter

MAX. LUMENS 2450
MAX. SYSTEM WATTS 38

CATALOG NUMBER
MRR-06380

DUE TO OUR CONTINUING EFFORT TO IMPROVE PRODUCTS, TECHNICAL INFORMATION IS SUBJECT TO CHANGE WITHOUT NOTICE. THE KIRLIN COMPANY EXPECTS PHOTOMETRIC PERFORMANCE TO IMPROVE SIGNIFICANTLY AND FREQUENTLY AS LED SOURCE TECHNOLOGY IMPROVES.

Detailed Photometry - Installed Fixture

Photometry from I.T.L., Boulder, CO

Photometric testing done in accordance with IESNA LM-79-08

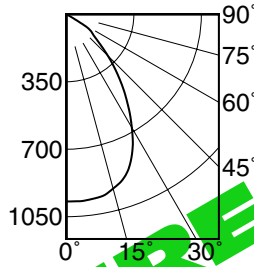
MRR-06380

Lumens: 1441
Beam: ~75°
SC: 1.08
Effic: 58.7%
ITL Test: 68385



Cone of Light ▲

Dist.	FC	Dia.
6	27.0	6.5
8	15.2	8.7
10	9.7	10.9
12	6.7	13.1
14	5.0	15.3
16	3.8	17.4



	CANDLEPOWER DISTRIBUTION				
	0.0	22.5	45.0	67.5	90.0
0	971	971	971	971	971
5	972	972	972	972	972
15	936	936	936	936	936
25	804	804	804	804	804
35	546	546	546	546	546
45	304	304	304	304	304
55	159	159	159	159	159
65	4	4	4	4	4
75	1	1	1	1	1
85	0	0	0	0	0
90	0	0	0	0	0

LM-80 Qualified • LM-79 Certified Photometry

* LED manufacturers maintain a tolerance of ±7% on flux (lumens) and power (electrical) measurements. Kirlin photometrics are actual test data from Independent Testing Laboratories (ITL).
** LED Operating Characteristics: 50,000 hours at 70% lumen maintenance (L70)

▲ Cone of Light Key
Ft. Distance from fixture
FC Footcandles at nadir (0°)
Dia. Circle of light at 50% of FC
Dia. (in ft.) shown is where FC value is half the FC at nadir.

Options

Color Temperature (CCT)

-41K Color temperature 4100°K. Consult factory.

Trims

- 30 All white acrylic enameled cone. (CP x .95)
- 31 White acrylic enameled trim flange (only).
- 32 White oversize trim ring. Specify O.D.
- 45 Gasket between trim flange and ceiling.
- 46 Gasket between trim and lens.
- 70 SofTex Clear self-flanged cone. (CP x .93)
- 94 Custom color/finish. Specify. Consult factory.

Other

- 79 Extension collar for ceilings up to 2" thick.
- 99 Special modification. Consult factory.
- SH Sealed housing and junction box.

3 Steps To "Artifact-Free" Imaging

1. Use complete Kirlin SmartLED™ MRI system: luminaires, filters, drivers
2. Use a minimum #18 AWG twisted, shielded pair wire
3. Use a 0-10V wall box dimmer that is approved for use with SmartSupply™ (consult Owner's Manual)

SUBMITTAL DATA

APPROVAL STAMP

JOB NAME _____
TYPE _____
WATTAGE _____ VOLTAGE _____
CATALOG NUMBER _____

THIS FIXTURE HAS BEEN REPLACED BY MRR-06420 SOME DESIGN FEATURES OR OPTIONS MAY HAVE BEEN CHANGED

LIMITED WARRANTY: CATALOGED KIRLIN FIXTURES ARE WARRANTED FREE OF DEFECTS IN WORKMANSHIP OR MATERIAL FOR THREE YEARS FROM DATE OF PURCHASE. INSTALL TO N.E.C. IN NORMAL USE. Manufacturer of the option will replace or repair such fixture or refund the purchase price on presentation of proof of purchase and defective fixture at the offices of manufacturer within three years of original shipment. Liability of manufacturer is limited to the foregoing and manufacturer shall not be liable for any other damages, direct or indirect, sustained or suffered by purchaser or any person. This warranty is supplied to the buyer in place of all other warranties, expressed or implied. Seller does not warrant as to merchantability or fitness for a particular use, nor will any oral statement constitute a warranty or amend this specific warranty. Abnormal use, abuse of the fixture, improper installation, or repair or modification of the fixture without prior written authorization from the manufacturer will render the warranty void.
REV. REV. AUG 2012