

CATALOG #	TYPE	
JOB NAME	WATTAGE	VOLTAGE

6" LED 1300 LUMEN SERIES 20 WATT

MRR-06216

SmartLED™ MRI Lighting Systems

Regressed Lensed Downlight • White Trim

Up to 90,000 Hour Life (L70) • Type IC
LM-80 Qualified • LM-79 Certified Photometry



Use With:

- SmartSupply™ LPS-1220A
- SmartFilter™ RFI-3100D

Specifications

Delivered System Performance*

- Standard MFL distribution: 1348 delivered lumens / 64 LPW / 0.8 SC.
- -NFL: 1348 lumens / 64 LPW / 0.4 SC.
- -WFL: 1249 lumens / 60 LPW / 1.2 SC.
- 20 watt LED array. 3500°K standard (or see Options -27K, -30K or -41K).
- Up to 85 CRI and 90,000 hour life (L70**). For 90+ CRI, see Option -HC.
- Fully sustainable: removable for servicing.

Thermal Management System

- All aluminum proprietary heat sink, components and housing maximize cooling operation and long life while minimizing maintenance.

SmartSupply™ (Smart Power Supply)

Required - Order Separately

- Digital controlled. Drives up to 100 luminaire, with 6 configurable channels. Maximum 100 ft. cable length from SmartSupply™ to fixture.
- 100-1% full range dimming in up to 3 channels.
- LPS-1220A: Compatible with SmartSupply™ dimming controls. See vendor literature for the Owner's Manual (760412-0000).
- Suitable for dry, non-plenum locations only with ambient temperature range of -20°C

(-4°F) to 40°C (104°F). 115 - 277V isolated circuit only; maximum input voltage 290V; 50-60 Hz.

- For more information, see specification sheet for LPS-1220A.

SmartFilter™ (RFI / EMI Filter)

Required - Order Separately

- Protects up to 3 SmartSupply channels.
- For more information see specification sheet for RFI-3100D.

SmartPower™ Battery Backup

- EMI-21220: 1000mAh battery backup.
- See specification sheet, order separately.

Trim Assembly

- Seamless tapered aluminum, color-matched trim with vinyl finish.

SmartSupply™ (Smart Power Supply)

- (for Wet Locations only) anti-microbial Kirlin Guard™ finish, see Option -DC.

Acrylic Encapsulated Aluminum Housing

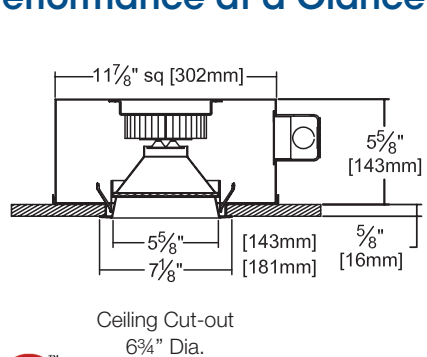
- Powder coated aluminum housing exceeds 1000 hours salt spray test.
- Low profile design fits restricted plenum applications.
- Cool operation: Extends life of components.
- Fully sustainable luminaire, including light engine is modular, easily visible, serviced through top aperture. Built-in plaster flange.
- Air Tight design available, see Option -AT.

Use of SmartSupply™ and SmartFilter™ REQUIRED or Kirlin warranty is null and void

THIS PRODUCT IS NOW AVAILABLE AS MRR-06235 (CLICK TO DOWNLOAD)

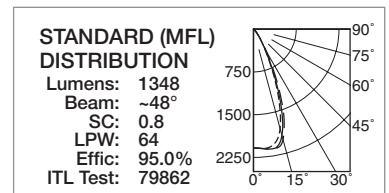
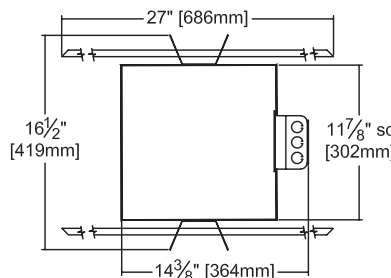
- **Color Box**
- **Construction**
 - Regressed, 100% aluminum. U.L. listed.
 - Accessible knockouts.
- **Installation**
 - Requires minimum 18 AWG twisted pair shielded wire from SmartSupply™ to fixtures.
 - Recesses in ceiling to 1/4" thick or see Option -HC.
 - Includes 1 1/2" hange with adjustable mounting holes supplied.
- **UL (Canada) Listings**
 - For wet, damp, dry locations, covered ceilings.
 - Type IC: for direct contact with insulation.
- **CE & FCC Compliance**
 - Meets IEC/EN 60601-1-2 electromagnetic compatibility standard for medical electrical equipment.
 - FCC Part 15 certified for EMI/RFI emissions.
- **5 Year Limited Warranty**
 - Complete standard fixture.

Performance at a Glance



L70** for Kirlin Luminaires	
In Open Plenum	90,000 hours
In Insulation (Type IC)	60,000 hours

**Hours at 70% lumen maintenance



Complete photometry for standard and optional distributions on next page



THE KIRLIN COMPANY

3401 EAST JEFFERSON AVENUE • DETROIT, MICHIGAN 48207-4232
(313) 259-6400 • Fax: (313) 259-9409 OR (313) 259-3121 • www.kirlinlighting.com

*See note next page

SmartLED™ MRI Lighting Systems
Luminaires • SmartSupply • SmartFilter

CATALOG NUMBER

MRR-06216

DUE TO OUR CONTINUING EFFORT TO IMPROVE PRODUCTS, TECHNICAL INFORMATION IS SUBJECT TO CHANGE WITHOUT NOTICE. THE KIRLIN COMPANY EXPECTS PHOTOMETRIC PERFORMANCE TO IMPROVE SIGNIFICANTLY AND FREQUENTLY AS LED SOURCE TECHNOLOGY IMPROVES.

Detailed Photometry - Installed Fixture

Photometric testing done in accordance with IESNA LM-79-08

Photometry from I.T.L., Boulder, CO

STANDARD (MFL)

Lumens: 1348
Beam: ~48°
SC: 0.8
LPW: 64
Effic: 95.0%
ITL Test: 79862



Total System Watts 21.1

CANDLEPOWER DISTRIBUTION					
	0.0	22.5	45.0	67.5	90.0
0	2081	2081	2081	2081	2081
5	2100	2102	2107	2107	2102
10	1802	1882	2003	1979	1927
15	750	822	907	854	803
20	200	213	212	214	208
25	57	58	54	58	58
30	24	24	24	24	24
35	15	15	15	15	15
40	7	6	7	7	7
45	1	1	1	2	1
90	0	0	0	0	0

Option -NFL

Lumens: 1344
Beam: ~24°
SC: 0.4
LPW: 64
Effic: 94.7%
ITL Test: 79861



Total System Watts 21.0

CANDLEPOWER DISTRIBUTION					
	0.0	22.5	45.0	67.5	90.0
0	5730	5730	5730	5730	5730
5	5058	5061	5073	5084	5082
10	2090	2057	1985	1976	1993
15	535	475	429	448	496
20	122	106	97	102	116
25	32	31	32	29	29
30	15	15	16	15	15
35	9	10	9	10	9
40	6	6	6	6	6
45	1	1	1	1	2
90	0	0	0	0	0

Cone of Light ▲

Dist.	FC	Dia.
6	57.8	4.7
8	32.5	6.2
10	20.8	7.8
12	14.5	9.3
14	10.6	10.9
16	8.1	12.4

Option -WFL

Lumens: 1249
Beam: ~64°
SC: 1.2
LPW: 60
Efficiency: 77.0%
ITL Test: 83254



Total System Watts 20.8

CANDLEPOWER DISTRIBUTION					
	0.0	22.5	45.0	67.5	90.0
0	596	596	596	596	596
5	568	568	565	565	568
10	563	559	557	559	580
15	520	520	522	518	515
20	429	433	441	432	430
25	301	308	311	304	302
30	192	184	169	165	166
35	84	85	85	84	84
40	43	43	43	42	42
45	10	10	10	10	10
90	0	0	0	0	0

Cone of Light ▲

Dist.	FC	Dia.
6	8.8	10.0
10	5.7	12.5
12	3.9	15.0
14	2.9	17.5
16	2.2	20.0

LM-80 Qualified • LM-79 Certified Photometry

* LED manufacturers maintain a tolerance of ±7% on flux (lumens) and power (electrical) measurements. Kirlin photometrics are actual test data from Independent Testing Laboratories (ITL) where photometry was measured from 1418 lumen (20W) and 1622 lumen (20W -WFL) light engines (within the established tolerance).

▲ Cone of Light Key
(Dia. (in ft.) shown is where FC value is half the FC at nadir.)
Ft. Distance from fixture
FC Footcandles at nadir (0°)
Dia. Circle of light at 50% of FC

Options

Color Temperature (CCT)

- 27K Color temperature 2700°K instead.
- 30K Color temperature 3000°K instead.
- 41K Color temperature 4100°K. Consult factory.
- HC 90+ CRI instead. Use with Option -27K or -30K only. Reduces output by ~15%.

Trims

- 32 White oversize trim ring. Specify O.D.
- 45 Gasket between trim flange and ceiling.
- 46 Gasket between trim and lens.
- 94 Custom color/finish. Specify. Consult factory.
- BG Anti-microbial Kirlin BioGard™ white (only) trim finish.

Other

- 79 Extension collar for up to 2" thick ceilings.
- 99 Special modification. Consult factory.
- AT Air tight medical grade sealed housing with Type IC. Meets ASTM E283 restricted airflow of 2 CFM maximum.

Optics

- NFL Narrow flood distribution. (0.4 SC)
- WFL Wide flood distribution. (1.2 SC)

3 Steps To "Artifact-Free" Imaging

1. Use complete Kirlin SmartLED™ MRI system: Luminaires, RFI-3100D SmartFilter™, LPS-1220A SmartSupply™
2. Use a minimum #18 AWG twisted, shielded pair wire
3. Use a 0-10V wall box dimmer that is approved for use with SmartSupply™ (consult Owner's Manual); wall dimmers must be located outside of room shield and must not be filtered through RFI-3100D SmartFilter™

SUBMITTAL DATA

JOB NAME _____
TYPE _____
WATTAGE _____ VOLTAGE _____
CATALOG NUMBER _____

APPROVAL STAMP



LIMITED WARRANTY: CATALOGED KIRLIN FIXTURES ARE WARRANTED FREE OF DEFECTS IN WORKMANSHIP OR MATERIAL FOR THREE YEARS FROM DATE OF PURCHASE. INSTALL TO N.E.C. IN NORMAL USE. Manufacturer of the option will replace or repair such fixture or refund the purchase price on presentation of proof of purchase and defective fixture at the office of manufacturer within three years of original shipment. Liability of manufacturer is limited to the foregoing and manufacturer shall not be liable for any other damages, direct or indirect, sustained or suffered by purchaser or any person. This warranty is supplied to the buyer in place of all other warranties, expressed or implied. Seller does not warrant as to merchantability or fitness for a particular use, nor will any oral statement constitute a warranty or amend this specific warranty. Abnormal use, abuse of the fixture, improper installation, or repair or modification of the fixture without prior written authorization from the manufacturer will render the warranty void.