

CATALOG #	TYPE	
JOB NAME	WATTAGE	VOLTAGE

SmartLED™ MRI Lighting System

2.5" Recessed Static White Slot Light

Delivers Up To 800 Lumens Per Foot • Asymmetric Distributions Available • LM-80 Qualified • LM-79 Certified

Specifications

Luminaire Features

- MRI-safe, low voltage linear slot light
- Shallow extruded aluminum housing; white finish standard, or see options below
- Non-ferromagnetic construction for accurate MRI scans
- Color temperature: see chart below; CRI: 90+

SmartLED™ MRI Lighting System Required

- Kirlin remote driver modules, cabinet, and RFI filters required for operation
- Components ordered separately, see **MRI-CABNT**
- SmartLED driver modules provide 0-10V dimming to 0.38%

SmartLED™ Emergency Backup System

- **EMI-21220** or **EMI-03120** available for emergency power
- See specification sheet; order separately

Trim/Lens

- ½" flanged trim
- Impact-resistant extruded lens with integral snap and diffusion mounting features, uniform distribution

Installation

- Mounts to grid ceiling, or see Option -NCB for installation in a hard ceiling
- Requires minimum 18 AWG twisted pair shielded wire from SmartLED MRI driver modules, through filters, to luminaire

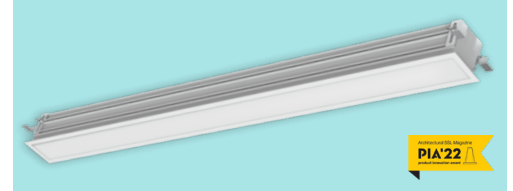
UL, C-UL (Canada) Listings

- Damp, dry locations, covered ceilings

FCC Compliance

- SmartLED™ system meets FCC Part 15 certification, see MRI-CABNT

MRL-2



Five Year Limited Warranty

- Complete fixture, must be installed with all SmartLED™ components

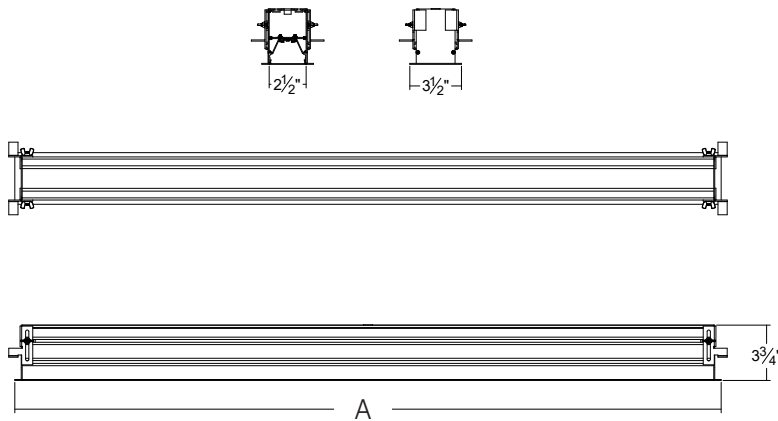


Options and Ordering Configuration

(Example: MRL-02SWM-8FT-DD-35K-BG)

Must Specify				Optional		
Model	Length	Beam	CCT & CRI	Mounting Options	Trim Options	Other Options
MRL-02SWM						
	-2FT -4FT -6FT -8FT -10FT -12FT <i>Consult factory for longer lengths</i>	-DD: Direct distribution -AS: Asymmetric	-30K: 3000°K, 90+ CRI -35K: 3500°K, 90+ CRI -40K: 4000°K, 90+ CRI	(Blank): T-grid ceiling -NCB: New construction mounting bracket for hard ceiling installation	(Blank): Standard white enamel trim with diffusing lens Trim Finishes -35T: Silver enamel -38T: Black enamel -BG: BioGard anti-microbial white -94: Custom color; consult factory Other Trim/Lens Features -45: Gasket between trim & ceiling	(Blank): None -99: Special modification; consult factory

Dimensions



Length of Housing

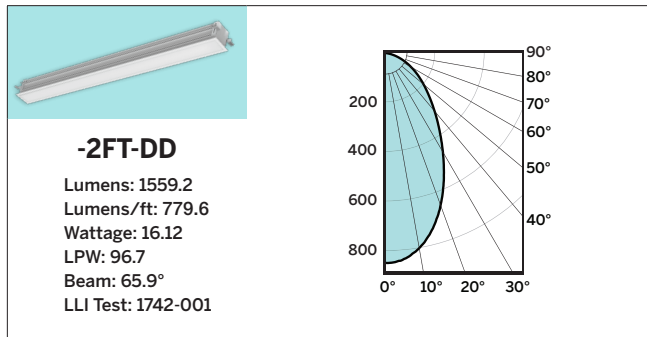
A = Length of Housing (inches) For 9/16" & 15/16" Grid Ceilings		
-2FT	STANDARD	23 7/8"
	DROP IN	23 7/8"
-4FT	STANDARD	47 7/8"
	DROP IN	47 7/8"
-6FT	STANDARD	71 7/8"
	DROP IN	71 7/8"
-8FT	STANDARD	95 7/8"
	DROP IN	95 7/8"
-10FT	STANDARD	119 7/8"
	DROP IN	119 7/8"
-12FT	STANDARD	143 7/8"
	DROP IN	143 7/8"

STANDARD = Installed occupancy side, flange fully visible from below
 DROP IN = Installed plenum side, flange mostly contained behind grid

Photometry - Installed Complete Fixture

Photometry from L.L.I., Allentown, PA

LM-79 IESNA Certified Photometry from Light Labs, International



LIMITED WARRANTY: KIRLIN FIXTURES ARE WARRANTED FREE OF DEFECTS IN WORKMANSHIP OR MATERIAL FOR FIVE YEARS FROM DATE OF PURCHASE. INSTALLATION, USE, MAINTENANCE, REPAIR, OR MODIFICATION OF THE FIXTURE WITHOUT PRIOR WRITTEN AUTHORIZATION FROM THE MANUFACTURER WILL RENDER THE WARRANTY VOID. THE PURCHASE PRICE OR REPRESENTATION OF PRODUCT, PURCHASE AND DEFECTIVE FIXTURE IS THE PROPERTY OF MANUFACTURER. LIABILITY OF MANUFACTURER IS LIMITED TO THE FOREGOING AND MANUFACTURER SHALL NOT BE LIABLE FOR ANY OTHER DAMAGES, DIRECT OR INDIRECT, SUSTAINED OR SUFFERED BY PURCHASER OR ANY PERSON. THIS WARRANTY IS APPLIED TO THE BUYER IN PLACE OF ALL OTHER WARRANTIES, EXPRESSED OR IMPLIED. SELLER DOES NOT WARRANT AS TO MERCHANTABILITY OR FITNESS FOR A PARTICULAR USE, NOR WILL ANY ORAL STATEMENT CONSTITUTE A WARRANTY OR AMEND THIS SPECIFIC WARRANTY. ABNORMAL USE, ABUSE OF THE FIXTURE, IMPROPER INSTALLATION, OR REPAIR OR MODIFICATION OF THE FIXTURE WITHOUT PRIOR WRITTEN AUTHORIZATION FROM THE MANUFACTURER WILL RENDER THE WARRANTY VOID.