

CATALOG #	TYPE	
JOB NAME	WATTAGE	VOLTAGE

# Lighting for Patient Spaces

## Maximum Security 7" x 9" Nightlight • LED

Type IC • Optional LED Filter Colors

# MNV-07916



## Specifications

### LED

- White module (colored filters optional)
- 3500°K standard
- 5.5 system watts - energy efficient, uniform, cool

### LED Power Supply/Driver

- Max 13 volt DC and 4 watt fixed output; electronically stabilized
- Minimum operating temperature -4°F (-20°C)
- 120-277 volt standard; load insensitive

### Lens (Gasketed)

- ¼" clear polycarbonate behind louver
- Secured between faceplate and housing by center pin tamperproof screws and captive nuts
- Gasketing between lens and faceplate

### Faceplate (Gasketed)

- White polyester enameled die-formed 16 gauge galvanized steel
- Secured to housing with four center pin tamperproof screws and captive nuts; tamperproof tool included
- Gasketing between faceplate and wall
- Optional (white only) antimicrobial Kirlin BioGard™ finish; see Option-BG
- Removable for servicing

### Housing

- 16 gauge galvanized steel, formed and welded; white acrylic enamel finish

### Installation

- Recesses indoor or outdoor, covered locations
- Ten ½" T.S. (7/8" dia.) wiring KO's
- Mounting holes on housing ends

### UL, C-UL (Canada) Listings

- Damp or dry locations
- Type IC; approved for direct contact with insulation

### FIVE YEAR Limited Warranty

- Complete standard fixture



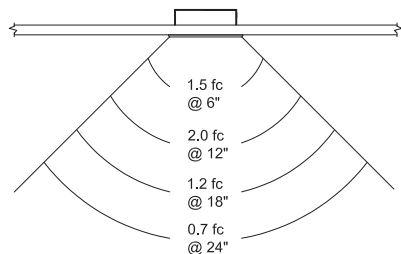
## Options and Ordering Configuration

(Example: MNV-07916-BL-37-26)

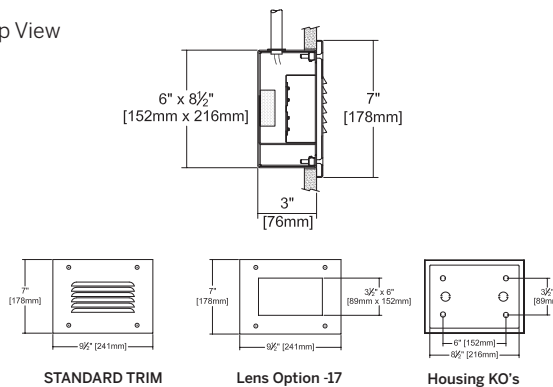
Required	Optional				
Model	Voltage/Battery Pack	Filter Colors	Lens and Trim	Faceplate Finishes	Other Options
MNV-07916	<p><b>(Blank):</b> Universal 120-277 V</p> <p><b>-97:</b> Other voltage input; consult factory</p> <p><b>-EI:</b> Remote emergency inverter for 100% of rated lumens; Run time: 90+ minutes; 120 or 277V, 60Hz input only; specify voltage</p> <p><b>-HW:</b> Higher light output; approximately doubles light output and system watts</p>	<p><b>(Blank):</b> None</p> <p><b>-BL:</b> Blue filter</p> <p><b>-GE:</b> Green filter</p> <p><b>-OR:</b> Orange filter</p> <p><b>-RA:</b> Red/Amber filter</p> <p><b>-YE:</b> Yellow filter</p> <p><b>-CF:</b> Custom color filter (Rosco); specify</p>	<p><b>(Blank):</b> None</p> <p><b>-17:</b> Diffuse acrylic lens behind .220" clear polycarbonate and faceplate (instead of louver)</p>	<p><b>(Blank):</b> Standard white finish</p> <p><b>-35:</b> Silver (natural aluminum) acrylic enamel</p> <p><b>-37:</b> Dark bronze acrylic enamel</p> <p><b>-38:</b> Black acrylic enamel</p> <p><b>-94:</b> Custom color; consult factory</p> <p><b>-BG:</b> BioGard™ anti-microbial white</p>	<p><b>(Blank):</b> None</p> <p><b>-99:</b> Special modification; consult factory</p>

## Performance

Footcandle Performance On the Floor - Top View  
(Installed 14" above finished floor)



## Dimensions



## LED Filter Colors

