

| | | |
|-----------|---------|---------|
| CATALOG # | TYPE | |
| JOB NAME | WATTAGE | VOLTAGE |

Lighting for Patient Spaces

Chartlight • 3" x 5" • LED

Red Amber Color Standard • Does Not Interrupt Patient Sleep Cycle • 50,000 Hour Rated Life • Type IC

Specifications

- LED**
- White module with red amber filter designed to avoid interrupting Circadian sleep cycle at night (optional yellow filter, see -YE)
 - 3500°K standard
 - 4 system watts - energy efficient, uniform, cool
- LED Power Supply/Driver**
- Max 13 volt DC and 4 watt fixed output; electronically stabilized
 - Minimum operating temperature -4°F (-20°C)
 - 120-277 volt standard; load insensitive

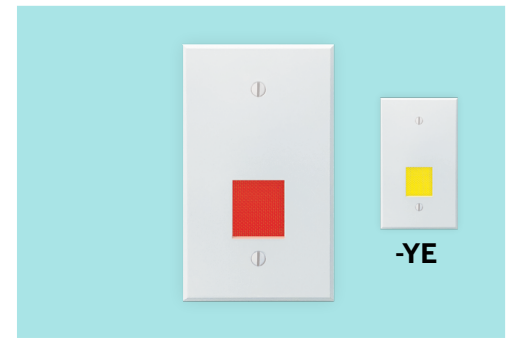
- Faceplate**
- Rustproof aluminium trim
 - White finish standard; optional colors
 - Optional (white only) antimicrobial Kirlin BioGard™ finish; see Option-BG
 - Secured to housing with two screws and captive nuts
 - Removable for servicing

- Housing: Shallow 3½" Depth**
- 2" x 3" x 3½" standard U. L. listed galvanized steel outlet box

Lens
Clear linear tempered glass lens sealed to trim

- Installation**
- Recesses indoor or outdoor, covered locations; versatile 3½" depth
 - Mounting holes on top and bottom

MNT-03910



- UL, C-UL (Canada) Listings**
- Damp or dry locations
 - Type IC; approved for direct contact with insulation

- FIVE YEAR Limited Warranty**
- Complete standard fixture

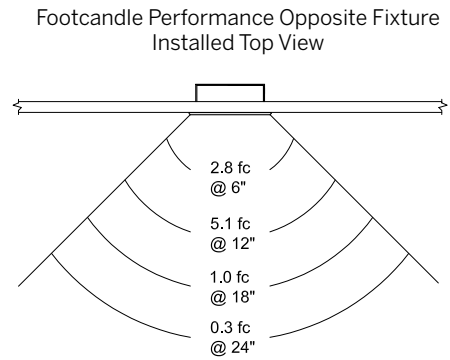


Options and Ordering Configuration

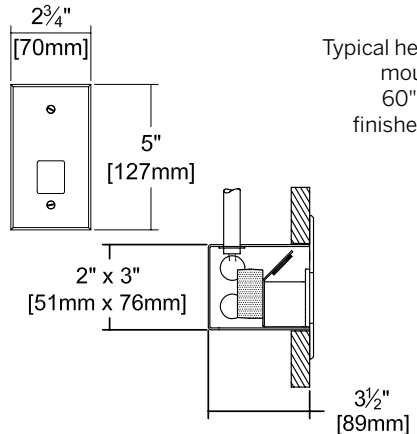
(Example: MNT-03910-BG-26)

| Required | Optional | | | |
|-----------|--|--|--|---|
| Model | Voltage/Battery Pack | Filter Colors | Faceplate Finishes | Other Options |
| MNT-03910 | <p>(Blank): Universal 120-277 V</p> <p>-97: Other voltage input; consult factory</p> <p>-EI: Remote emergency inverter for 100% of rated lumens; Run time: 90+ minutes; 120 or 277V, 60Hz input only; specify voltage</p> | <p>(Blank): Red/Amber filter</p> <p>-YE: Yellow filter</p> | <p>(Blank): Standard white finish</p> <p>-35: Silver (natural aluminum) acrylic enamel</p> <p>-37: Dark bronze acrylic enamel</p> <p>-38: Black acrylic enamel</p> <p>-BG: BioGard™ anti-microbial white</p> <p>-BKBG: BioGard™ anti-microbial black</p> <p>-94: Custom color; consult factory</p> <p>-94BG: BioGard™ anti-microbial custom color finish</p> | <p>(Blank): None</p> <p>-26: Faceplate secured to housing with two center pin tamperproof screws; Tamperproof too included</p> <p>-99: Special modification; consult factory</p> |

Performance

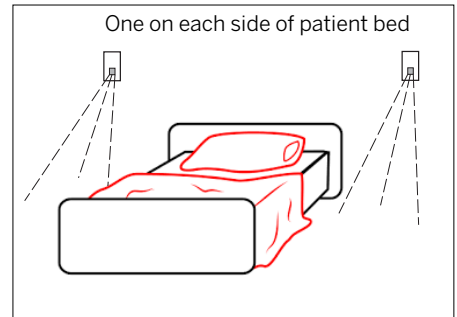


Dimensions



Typical headwall mounting: 60" above finished floor

Chartlight Placement



Narrow distribution does not disturb patient