

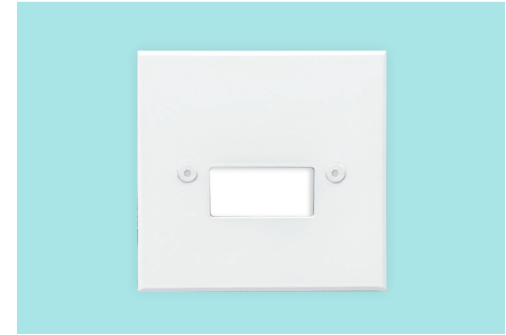
CATALOG #	TYPE	
JOB NAME	WATTAGE	VOLTAGE

Lighting for Patient Spaces

Square 5" x 5" Nightlight • LED

Mounts in Standard Octagon Outlet Box (Provided) • Type IC
Angled 45° LED Engine for Optimal Illumination of Floor

MNS-05904



Specifications

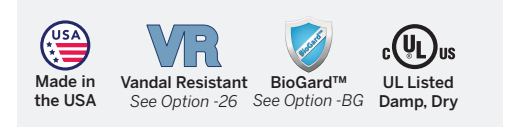
- LED**
- White module (colored filters optional)
 - 3500°K standard
 - 5 system watts - energy efficient, uniform, cool
- LED Power Supply/Driver**
- Max 13 volt DC and 4 watt fixed output; electronically stabilized
 - Minimum operating temperature -4°F (-20°C)
 - 120-277 volt standard; load insensitive
- Lens (Gasketed)**
- Tempered microprismatic glass
- Faceplate (Gasketed)**
- Gasketed rustproof aluminum trim
- White finish standard; optional colors
 - Optional (white only) antimicrobial Kirlin BioGard™ finish; see Option-BG
 - Secured to housing with two screws and captive nuts
 - For fastener free faceplate, see Option -FF
 - Removable for servicing
- Housing: Shallow 2¼" Depth**
- 4" x 2 ¼" standard U. L. listed octagon galvanized steel outlet box
- Installation**
- Recesses indoor or outdoor, covered locations; versatile 2¼" depth
 - Mounting holes on top, bottom and ends

UL, C-UL (Canada) Listings

- Damp or dry locations
- Type IC; approved for direct contact with insulation

FIVE YEAR Limited Warranty

- Complete standard fixture

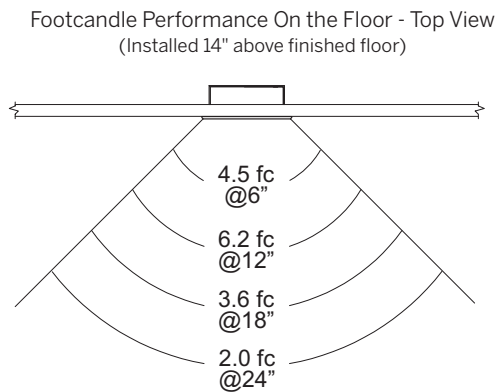


Options and Ordering Configuration

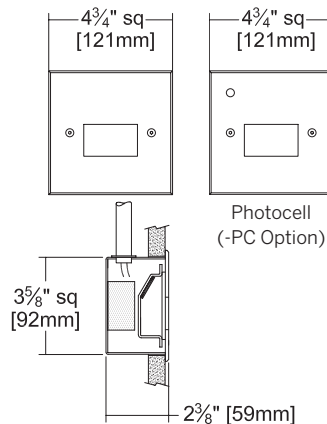
(Example: MNS-05904-BL-37-26)

Required	Optional				
Model	CCT	Voltage/Battery Pack	Filter Colors	Faceplate Finishes	Other Options
MNS-05904	(Blank): 3500K -30K: 3000K -35K: 3500K -40K: 4000K -590: 590nm amber -617: 617nm red/orange	(Blank): Universal 120-277 V -97: Other voltage input; consult factory -EI: Remote emergency inverter for 100% of rated lumens; Run time: 90+ minutes; 120 or 277V, 60Hz input only; specify voltage	(Blank): None -BL: Blue filter -GE: Green filter -OR: Orange filter -RA: Red/Amber filter -YE: Yellow filter -CF: Custom color filter (Rosco); specify	(Blank): Standard white finish -35: Silver (natural aluminum) acrylic enamel -37: Dark bronze acrylic enamel -38: Black acrylic enamel -94: Custom color; consult factory -BG: BioGard™ anti-microbial white	(Blank): None -26: Faceplate secured to housing with two center pin tamperproof screws; tamperproof tool included -99: Special modification; consult factory -FF: Fastener free faceplate/trim; no visible hardware (UL Damp Listed only) -PC: Photocell; nightlight will illuminate when room is dark

Performance



Dimensions



LED Filter Colors

