

CATALOG #	TYPE	
JOB NAME	WATTAGE	VOLTAGE

# Lighting for Patient Spaces

## "Half Round" 5" Nightlight • LED

Mounts in Standard Octagon Outlet Box (Provided)  
Fastener Free Available • Type IC • Optional LED Filter Colors

# MNR-05900



### Specifications

- LED**
- White module (colored filters optional)
  - 3500°K standard
  - 4 system watts - energy efficient, uniform, cool
- LED Power Supply/Driver**
- Max 13 volt DC and 4 watt fixed output; electronically stabilized
  - Minimum operating temperature -4°F (-20°C)
  - 120-277 volt standard; load insensitive
- Lens (Gasketed)**
- Tempered microprismatic glass
- Faceplate (Gasketed)**
- Gasketed rustproof aluminum trim
- White finish standard; optional colors
  - Optional (white only) antimicrobial Kirlin BioGard™ finish; see Option-BG
  - Secured to housing with two screws and captive nuts
  - For fastener free faceplate, see Option -FF
  - Removable for servicing
- Housing: Shallow 2¼" Depth**
- 4" x 2¼" standard U. L. listed octagon galvanized steel outlet box
- Installation**
- Recesses indoor or outdoor, covered locations; versatile 2¼" depth
  - Mounting holes on top, bottom and ends

#### UL, C-UL (Canada) Listings

- Damp or dry locations
- Type IC; approved for direct contact with insulation

#### FIVE YEAR Limited Warranty

- Complete standard fixture

### Options and Ordering Configuration

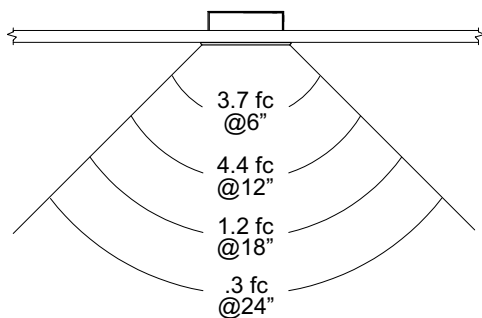
(Example: MNR-05900-BL-37-26)



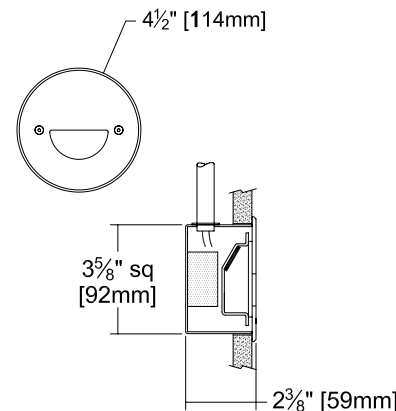
Required	Optional			
Model	Voltage/Battery Pack	Filter Colors	Faceplate Finishes	Other Options
MNR-05900	<p><b>(Blank):</b> Universal 120-277 V</p> <p><b>-97:</b> Other voltage input; consult factory</p> <p><b>-EI:</b> Remote emergency inverter for 100% of rated lumens; Run time: 90+ minutes; 120 or 277V, 60Hz input only; specify voltage</p>	<p><b>(Blank):</b> None</p> <p><b>-BL:</b> Blue filter</p> <p><b>-GE:</b> Green filter</p> <p><b>-OR:</b> Orange filter</p> <p><b>-RA:</b> Red/Amber filter</p> <p><b>-YE:</b> Yellow filter</p> <p><b>-CF:</b> Custom color filter (Rosco); specify</p>	<p><b>(Blank):</b> Standard white finish</p> <p><b>-35:</b> Silver (natural aluminum) acrylic enamel</p> <p><b>-37:</b> Dark bronze acrylic enamel</p> <p><b>-38:</b> Black acrylic enamel</p> <p><b>-BG:</b> BioGard™ anti-microbial white</p> <p><b>-BKBG:</b> BioGard™ anti-microbial black</p> <p><b>-94:</b> Custom color; consult factory</p> <p><b>-94BG:</b> BioGard™ anti-microbial custom color finish</p>	<p><b>(Blank):</b> None</p> <p><b>-26:</b> Faceplate secured to housing with two center pin tamperproof screws; 1/8" clear polycarbonate lens will be added; tamperproof tool included</p> <p><b>-99:</b> Special modification; consult factory</p> <p><b>-FF:</b> Fastener free faceplate/trim; no visible hardware (UL Damp Listed only)</p>

### Performance

Footcandle Performance On the Floor - Top View  
(Installed 14" above finished floor)



### Dimensions



### LED Filter Colors

