

CATALOG #	TYPE	
JOB NAME	WATTAGE	VOLTAGE

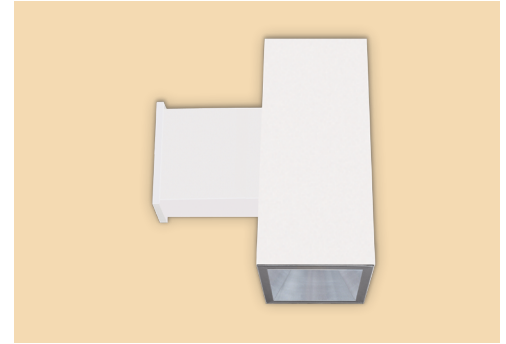
Latitudes

Direct/Indirect Square • 7" • COB LED

60,000 Hour Rated Life • Wet Listed

LM-80 Qualified • LM-79 Certified

LWS-07575



Specifications

Delivered System Performance

- Lumen Series: **Must Specify**

Direct	Indirect
-3500L	-2500U
-2500L	-2500U
- Select trim & beam distribution: MFL
- Select color (CCT): see chart: 80+ CRI standard; Option -HC for 90+ (15% lumen loss)
- 60,000 Hour Rated Life (L70)

Thermal Management System

- All aluminum heat sink and components for cool operation, long life, low maintenance

LED Driver - INTERNAL

- Indoor/Outdoor: -30°C to 60°C (-22°F to 140°F)
- 0-10V CCR 10% dimming standard
- 120-277V / 50-60 Hz standard; load insensitive

Trim

- High efficiency low brightness clear aluminum self-flanged reflector with tempered prismatic spread lens above
- Optional colors & finishes available

Weathercap

- Indirect position. Prismatic glass lens.

Aluminum Housing

- Seamless white acrylic enamel with wall bracket
- Rigid, tempered extruded 6063-T6 with white acrylic enameled finish
- Rustproof: Exceeds 1000 hour ASTM 5% salt spray test
- No visible housing hardware
- Cool operation: Extends life of all components
- Fully sustainable: Entire luminaire, easily visible and services

Installation

- Wall bracket extrusion assembled to housing. Wall plate included, for recessed outlet box.
- Mounting hardware included
- Indoor or outdoor

UL, C-UL (Canada) Listings

- Wet, damp, or dry locations

IEC & FCC Compliance

- Meets IEC/EN 60601-1-2 electromagnetic compatibility standard for medical electrical equipment
- FCC Part 15 certified or EMI/RFI emissions

FIVE YEAR Limited Warranty

- Complete standard fixture

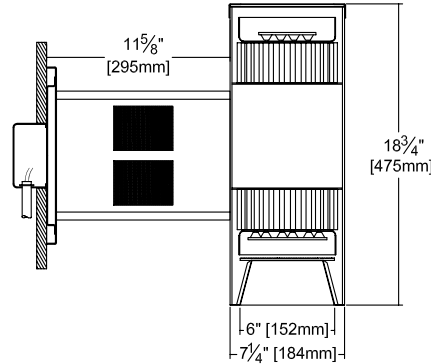


Options and Ordering Configuration

(Example: LWS-07575-3500L-2500U-MFL-277-30K-D2-38)

Must Specify				Optional			
Model	Lumens	Volts	CCT & CRI	Driver Options	Emergency Options	Housing/Trim Options	Other Options
LWS-07575							
	Direct (Down) -3500L -2500L Indirect (Up) -2500U	-120 -277 -97 [†] : Other Voltage	80+ CRI* -27K: 2700°K -30K: 3000°K -35K: 3500°K -40K: 4000°K -50K: 5000°K *Note: Lumen Factor = 0.93 for -27K 90+ CRI** -27K-HC: 2700°K -30K-HC: 3000°K -35K-HC: 3500°K -40K-HC: 4000°K -50K-HC: 5000°K **Note: Lumen Factor = 0.79 for -27K-HC; All Others = 0.85; Consult factory	(Blank): Standard 0-10V CCR 1% dim -D1: 0-10V 1.0% dim -D2: 0-10V 0.1% dim -ECO: For use with Lutron EcoSystem controls; Dims to 1% or consult factory. Standard wall bracket mount only; consult factory for availability and pricing	(Blank): None -EI: Remote inverter for 50% of rated lumens for -3500L (direct position). Not available for -2500L. Run time 90+ minutes. 120 or 277V, 60 Hz input only. Not for use with Options -FD or -FS -ERH: Remote emergency battery pack (direct position). Delivers 1000 lumens. Run time: 90+ minutes CEC Compliant.	(Blank): Standard white enamel housing finish with clear trim Luminaire (Housing) Finishes -35: Silver enamel finish -37: Dark bronze enamel finish -38: Black enamel finish -94: Custom color/finish; specify; consult factory Trim (Direct Position Only) -23: Frosted microprismatic lens instead -30: All white acrylic enameled cone -31: White acrylic enameled cone flange -70: SofTex clear self-flanged cone -94: Custom color/finish. Consult factory WA: White acrylic (flat) diffuser instead; will produce wide flood distribution	(Blank): None -84: Wired for two circuits. Also see Option -FD -99: Special modification. Consult factory. -FD: Dual in-line fusing for use with Option -84. Not for use with Option -EI -FS: Single in-line fuse; Not for use with Option -EI

Dimensions

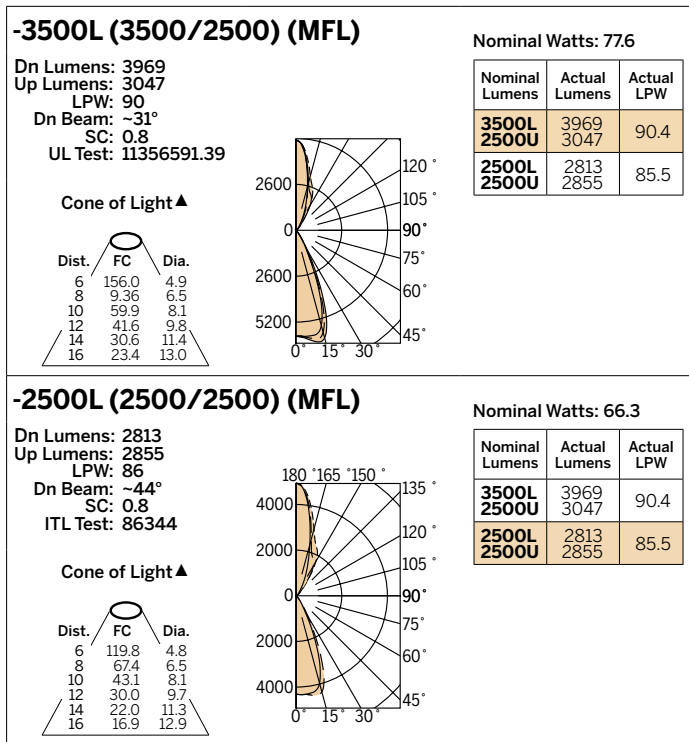


* See notes on page 1 for additional info on Lumen Factors

Photometry - Installed Complete Fixture

Photometry from I.T.L., Boulder, CO

LM-79 IESNA Certified Photometry from Independent Lab



LED manufacturers maintain a tolerance of +/-7% on flux (lumens) and power (electrical) measurements.

▲ **Cone of Light Key** Dist. Distance (Ft.) from fixture
Dia. (in ft.) shown is where FC
FC Footcandles at nadir (0°)
Dia. Circle of light at 50% of FC

LIMITED WARRANTY: CATALOGED KIRLIN FIXTURES ARE WARRANTED FREE OF DEFECTS IN WORKMANSHIP OR MATERIAL FOR FIVE YEARS FROM DATE OF PURCHASE. INSTALLED TO N.E.C. IN NORMAL USE. Manufacturer at the option will replace or repair such fixture or refund the purchase price on presentation of proof of purchase and defective fixture at the office of manufacturer within the years of original shipment. Liability of manufacturer is limited to the foregoing and manufacturer shall not be liable for any other damages, direct or indirect, sustained or suffered by purchaser or any person. This warranty is applied to the buyer in place of all other warranties, expressed or implied. Seller does not warrant as to merchantability or fitness for a particular use, nor will any oral statement constitute a warranty or amend this specific warranty. Abnormal use, abuse of the fixture, improper installation, or repair or modification of the fixture without prior written authorization from the manufacturer will render the warranty void.