

CATALOG #	TYPE	
JOB NAME	WATTAGE	VOLTAGE

# Latitudes

## Direct/Indirect • 9" x 19" Cylinder

60,000 Hours • 10% Dimming, 0-10V • Wet Listed  
LM-80 and LM-79 Certified

### Specifications

#### Delivered System Performance

- Lumen Series: **Must Specify**

<b>Direct</b>	<b>Indirect</b>
<b>-3500L</b>	<b>-2500U</b>
<b>-2500L</b>	<b>-2500U</b>
- Select trim & beam distribution: see chart
- Select color (CCT): see chart: 80+ CRI standard; Option -HC for 90+ (15% lumen loss)
- 60,000 hour life (L70)

#### Thermal Management System

- All aluminum heat sink and components for cool operation, long life, low maintenance

#### LED Driver - INTERNAL

- Indoor/Outdoor: -30°C to 60°C (-22°F to 140°F)
- 0-10V CCR 10% dimming standard
- 120-277V / 50-60 Hz standard; load insensitive

#### Trim - Direct Position

- High efficiency low brightness clear aluminum self-flanged reflector with tempered prismatic spread lens above

#### WeatherCap

- Indirect Position. Prismatic glass lens. Not provided with Option -PM (pendant) version

#### Aluminum Housing

- Seamless white acrylic enameled with wall bracket
- Rustproof: Exceeds 1000 hour ASTM 5% salt spray test
- Interlocking flare trim
- No visible cylinder hardware
- Cool operation: Extends life of all components
- Fully sustainable: Entire luminaire, easily visible and services

#### Installation

- Wall bracket extrusion assembled to housing. Wall plate included, for recessed outlet box

# LWR-09492



- Mounting hardware included
- Indoor or outdoor

#### UL, C-UL (Canada) Listings

- Wet, damp or dry locations

#### IEC & FCC Compliance

- Meets IEC/EN 60601-1-2 electromagnetic compatibility standard for medical electrical equipment
- FCC Part 15 certified for EMI/RFI emissions

#### FIVE YEAR Limited Warranty

- Complete standard fixture



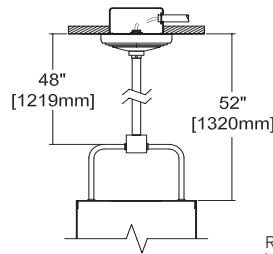
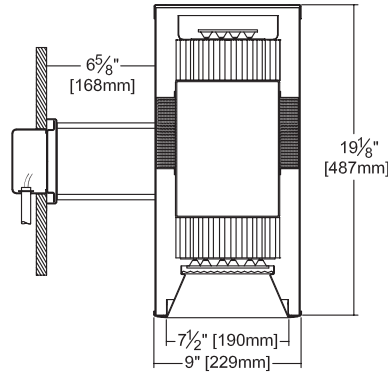
## Options and Ordering Configuration

(Example: LWR-09492-2500L-2500U-277-MFL-MFU-30K-EI-38)

Must Specify				Optional				
Model	Lumens	Volts	CCT & CRI	Driver Options	Emergency Options	Housing/Trim Options	Mounting Options	Other Options
LWR-09492								
	<b>Direct (Down)</b>	<b>-120</b>	<b>80+ CRI*</b>	<b>(Blank):</b> Standard 0-10V CCR 1% dim	<b>(Blank):</b> None	<b>(Blank):</b> Standard clear self-flanged reflector with lens above	<b>(Blank):</b> Standard 6 <sup>5</sup> / <sub>8</sub> " wall arm plus 1/4" wall plate	<b>(Blank):</b> None
	-3500L	-277	-27K: 2700°K					-84: Wired for two circuits. Also see Option -FD
	-2500L	-97†	-30K: 3000°K					-99: Special modification; consult factory
	<b>Indirect (Up)</b>	Other Voltage	-35K: 3500°K	<b>-D1:</b> 0-10V 1.0% dimming	<b>-EI:</b> Remote inverter for 50% of rated lumens for -3500L (direct position). Not available for -2500L. Run time 90+ minutes. 120 or 277V, 60 Hz input only. Not for use with Options -FD or -FS	<b>Luminaire (Housing) Finishes</b>	<b>-87:</b> Custom pendant length. Specify length. Use with Option -PM	<b>-FD:</b> Dual In-line fusing for use with Option -84; N/A for Option -EI
	-2500L		-41K: 4100°K	<b>-D2:</b> 0-10V 0.1% dimming		<b>-35:</b> Silver (natural aluminum) acrylic enamel	<b>-88:</b> Swivel canopy for sloped ceilings up to 40°; use with Option -PM	<b>-FS:</b> Single in-line fuse; N/A for Options -EI
	-2500U		-50K: 5000°K	<b>-ECO:</b> Digital driver for Lutron EcoSystem controls. Dims to 1% or consult factory. Standard wall bracket mount only; consult factory for availability and pricing.	<b>-ERH:</b> Remote emergency battery pack (direct position). Delivers 1000 lumens. Run time: 90+ minutes. CEC Compliant.	<b>-37:</b> Dark bronze acrylic enamel	<b>-88:</b> Swivel canopy for sloped ceilings up to 40°; use with Option -PM	
			<b>*Note:</b> Lumen Factor = 0.93 for -27K			<b>-38:</b> Black acrylic enamel	<b>-88:</b> Swivel canopy for sloped ceilings up to 40°; use with Option -PM	
			<b>90+ CRI**</b>			<b>-94:</b> Custom color/finish. Specify. Consult factory	<b>-PM:</b> Pendant mount for damp or dry locations only; 48" stem plus 4" offset (see diagram); also see Option -87; no wet label listing	
			-27K-HC: 2700°K			<b>Trim (Direct Position Only)</b>		
			-30K-HC: 3000°K			<b>-13:</b> Clear poly lens below standard lens. Photometric distribution unaffected		
			-35K-HC: 3500°K			<b>-23:</b> Frosted microprismatic lens instead		
			-41K-HC: 4100°K			<b>-30:</b> All white acrylic enameled cone		
			-50K-HC: 5000°K (N/A in -3000L)			<b>-31:</b> White acrylic enameled cone flange		
			<b>**Note:</b> Lumen Factor = 0.79 for -27K-HC; All Others = 0.85; Consult Factory			<b>-70:</b> SofTex™ clear self-flanged cone		
						<b>-WA:</b> White acrylic (flat) dif-fuser instead; will produce wide flood distribution		

† Consult factory

# Dimensions



Representative View:  
With optional pendant mount (Option -PM)

\* See notes on page 1 for additional info on Lumen Factors

## Photometry - Installed Complete Fixture

Photometry from I.T.L., Boulder, CO

LM-79 IESNA Certified Photometry from Independent Lab

**-3500L (3500/2500) (MFL)**

Dn Lumens: 3001  
Up Lumens: 3940  
LPW: 90  
Dn Beam: ~40°  
SC: 0.7  
UL Test: 11356591.34

**Cone of Light ▲**

Dist.	FC	Dia.
6	197.0	4.4
8	111.0	5.8
10	71.0	7.3
12	49.3	8.8
14	36.2	10.2
16	27.7	11.7

Nominal Watts: 76.9

Nominal Lumens	Actual Lumens	Actual LPW
<b>3500L</b>	3940	90.3
<b>2500L</b>	3001	
<b>2500L</b>	2752	82.7
<b>2500U</b>	2698	

**-2500L (2500/2500) (MFL)**

Dn Lumens: 2752  
Up Lumens: 2698  
LPW: 83  
Dn Beam: ~43°  
SC: 0.8  
ITL Test: 86343

**Cone of Light ▲**

Dist.	FC	Dia.
6	121.0	4.7
8	68.0	6.2
10	43.6	7.8
12	30.2	9.4
14	22.2	10.9
16	17.0	12.5

Nominal Watts: 65.9

Nominal Lumens	Actual Lumens	Actual LPW
<b>3500L</b>	3940	90.3
<b>2500U</b>	3001	
<b>2500L</b>	2752	82.7
<b>2500U</b>	2698	

LED manufacturers maintain a tolerance of +/-7% on flux (lumens) and power (electrical) measurements.

▲ Cone of Light Key      Dist. Distance (Ft.) from fixture  
Dia. (in ft.) shown is where FC      FC Footcandles at nadir (0°)  
value is half the FC at nadir.      Dia. Circle of light at 50% of FC

LIMITED WARRANTY: KIRLIN LIGHTING FIXTURES ARE WARRANTED FREE OF DEFECTS IN WORKMANSHIP OR MATERIAL FOR FIVE YEARS FROM DATE OF PURCHASE. INSTALLATION MUST BE IN ACCORDANCE WITH THE MANUFACTURER'S INSTRUCTIONS. THE WARRANTY IS VOID IF THE FIXTURE IS NOT INSTALLED IN ACCORDANCE WITH THE MANUFACTURER'S INSTRUCTIONS. THE WARRANTY IS VOID IF THE FIXTURE IS USED IN AN APPLICATION NOT INTENDED BY THE MANUFACTURER. THE WARRANTY IS VOID IF THE FIXTURE IS REPAIRED OR MODIFIED BY ANY OTHER PERSON. THIS WARRANTY IS APPLIED TO THE BUYER IN PLACE OF ALL OTHER WARRANTIES, EXPRESSED OR IMPLIED. SELLER DOES NOT WARRANT AS TO MERCHANTABILITY OR FITNESS FOR A PARTICULAR USE, NOR WILL ANY ORAL STATEMENT CONSTITUTE A WARRANTY. ABNORMAL USE, ABUSE OF THE FIXTURE, IMPROPER INSTALLATION, OR REPAIR OR MODIFICATION OF THE FIXTURE WITHOUT PRIOR WRITTEN AUTHORIZATION FROM THE MANUFACTURER WILL RENDER THE WARRANTY VOID.