

CATALOG #	TYPE	
JOB NAME	WATTAGE	VOLTAGE

Latitudes

Direct/Indirect • 3" x 12" Cylinder

>50,000 Hour Rated Life • 1% Dimming • 3-Step Binning
Wet Listed • LM-80 and LM-79 Certified

Specifications

Delivered System Performance

- Lumen Series: **Must Specify**
- Direct -1500L** **Indirect -1500U**
- Select trim & beam distribution: see chart
- Select color (CCT): see chart; 80+ CRI standard; Option -HC for 90+ (15% lumen loss)
- >50,000 Hour Rated Life (L70)

Thermal Management System

- All aluminum heat sink and components for cool operation, long life, low maintenance

LED Driver - INTERNAL

- Indoor/Outdoor: -30°C to 60°C (-22°F to 140°F)
- 0-10V CCR 10% dimming standard
- 120-277V / 50-60 Hz standard; load insensitive

Optic Assembly (Both Positions)

- Regressed spread lens

Aluminum Housing

- Seamless white acrylic enameled finish
- Rustproof: Exceeds 1000 hour ASTM 5% salt spray test
- No visible cylinder hardware
- 1½" wall bracket arm and wall plate or see Option -87
- Cool operation: Extends life of all components
- Fully sustainable: Entire luminaire, easily visible and services

Outlet Box

- UL listed J-box; prewired; 4" sq x 2⅞" deep
- ½" and ¾" knockouts

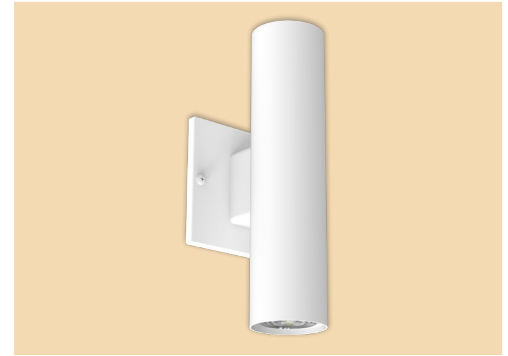
Installation

- Wall bracket arm (1⅜") assembled to housing; ¼" wall plate and recessed outlet box included
- Mounting hardware included
- Indoor or outdoor; also see Option -86

UL, C-UL (Canada) Listings

- Damp or dry locations; wet location with Option -86

LWR-03489



IEC & FCC Compliance

- Meets IEC/EN 60601-1-2 electromagnetic compatibility standard for medical electrical equipment
- FCC Part 15 certified for EMI/RFI emissions

FIVE YEAR Limited Warranty

- Complete standard fixture



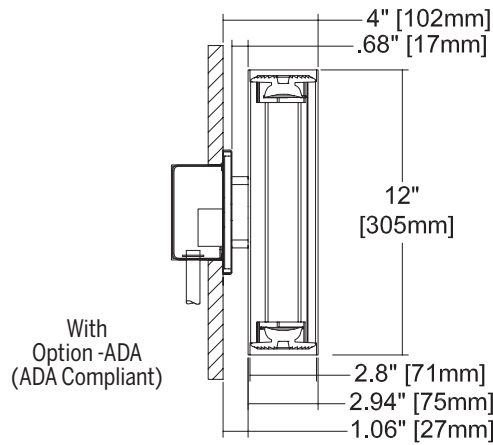
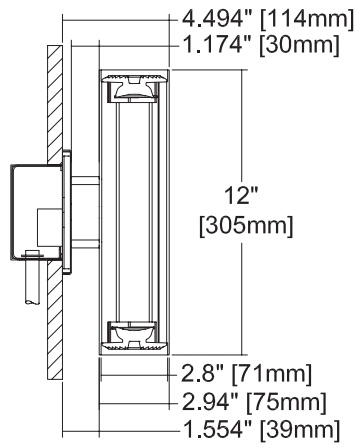
Options and Ordering Configuration

(Example: LWR-03489-1500L-1500U-277-SPT-NFU-30K-EI-38-86)

Must Specify					Optional			
Model	Lumens	Volts	Beam	CCT & CRI	Emergency Options	Housing Finish	Mounting Options	Other Options
LWR-03489								
	Direct (Down) -1500L Indirect (Up) -1500U	-120 -277 -97†: Other Voltage	Direct (Down) -SPT -NFL -MFL Indirect (Up) -SPU -NFU -MFU	80+ CRI -27K: 2700°K -30K: 3000°K -35K: 3500°K -41K: 4100°K -50K: 5000°K 90+ CRI -27K-HC: 2700°K -30K-HC: 3000°K	(Blank): None -EI: Remote inverter for 100% rated lumens (direct position). Run time: 90+ minutes	(Blank): Standard white enamel -35: Silver enamel finish -37: Dark bronze enamel finish -38: Black enamel finish -94: Custom color/finish; specify; consult factory	(Blank): Standard 1½" wall arm plus ¾" wall plate -87: Custom wall bracket length, specify.	(Blank): None -86: WeatherCap, for wet location listing. Indirect position -89: Sealed top Weather-Cap for use with Option -DL only. Must add with Option -DL for wet label listing -99: Special modification; consult factory -ADA: ADA compliant; 4" maximum standoff -DL: Downlight version instead. Add Option -89 for wet label.

† Consult factory

Dimensions

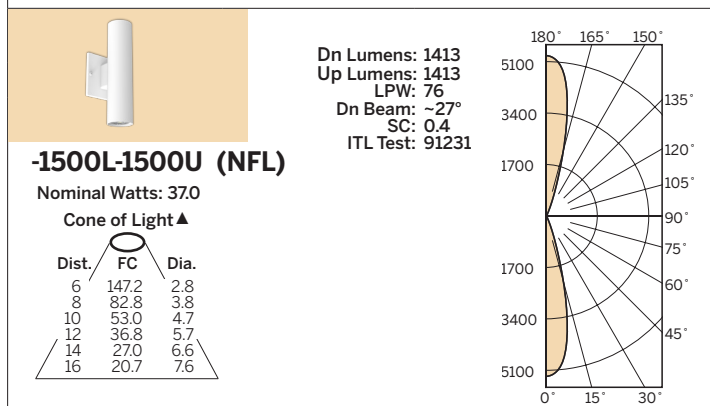
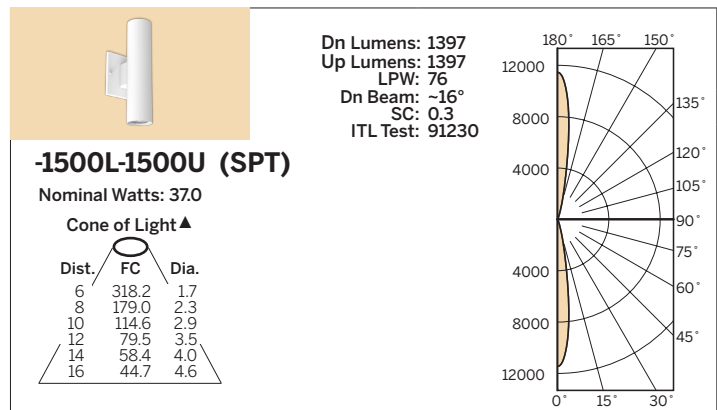
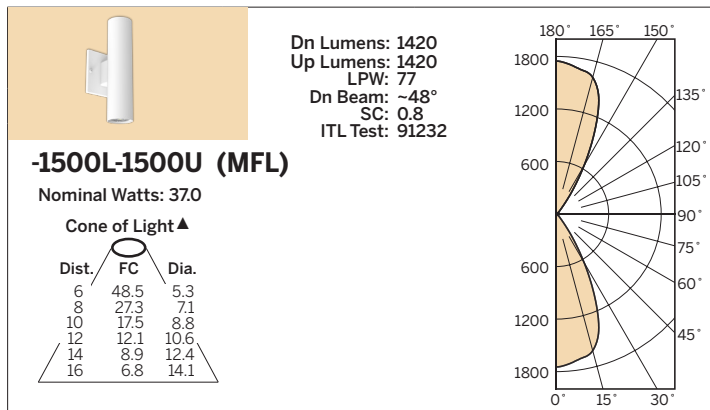


LIMITED WARRANTY: KIRLIN FIXTURES ARE WARRANTED FREE OF DEFECTS IN WORKMANSHIP OR MATERIAL FOR ONE YEAR FROM DATE OF PURCHASE. INSTALLATION, IN NORMAL USE. Manufacturer at the option will replace or repair such fixture or refund the purchase price on presentation of proof of purchase and defective fixture at the offices of manufacturer within the warranty period. Liability of manufacturer is limited to the foregoing and manufacturer shall not be liable for any other damages, direct or indirect, sustained or suffered by purchaser or any person. This warranty is supplied to the buyer in place of all other warranties, expressed or implied. Seller does not warrant as to merchantability or fitness for a particular use, nor will any oral statement constitute a warranty or amend this specific warranty. Abnormal use, abuse of the fixture, improper installation, or repair or modification of the fixture without prior written authorization from the manufacturer will render the warranty void.

Photometry - Installed Complete Fixture

Photometry from I.T.L., Boulder, CO

LM-79 IESNA Certified Photometry from Independent Lab



LED manufacturers maintain a tolerance of +/-7% on flux (lumens) and power (electrical) measurements.

▲ Cone of Light Key
Dist. Distance (Ft.) from fixture
Dia. (in ft.) shown is where FC value is half the FC at nadir.
Dist. Distance (Ft.) from fixture
FC Footcandles at nadir (0°)
Dia. Circle of light at 50% of FC