

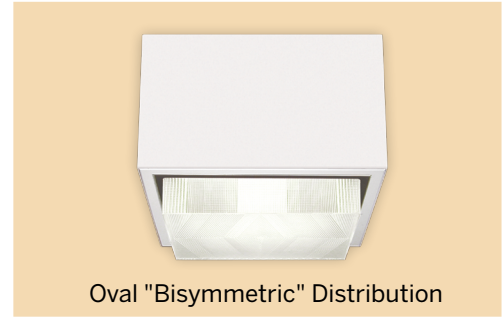
CATALOG #	TYPE	
JOB NAME	WATTAGE	VOLTAGE

Latitudes Series LED Lighting

High Output 14" Surface Square Downlight

Up to 60,000 Hour Rated Life • Wet Listed
LM-80 Qualified • LM-79 Certified

LSS-14570



Specifications

Delivered System Performance

- Nominal Lumens: **Must Specify -6500L**
- Select trim & beam distribution: WFL
- Select color (CCT): see chart; 80+ CRI standard; Option -HC for 90+ (15% lumen loss)
- 60,000 Hour Rated Life (L70)

Thermal Management System

- All aluminum heat sink and components for cool operation, long life, low maintenance

LED Driver - INTERNAL

- Indoor/Outdoor: -30°C to 60°C (-22°F to 140°F)
- 0-10V CCR 10% dimming standard
- 120-277V / 50-60 Hz standard; load insensitive

Trim Assembly/Optics

- Injection molded polycarbonate drop bisymmetric distribution lens
- Rustfree polished nickel stainless door (304-L) with concealed hinges & captive thumb screw

- Beveled cast aluminum frame with white finish

Aluminum Housing

- Rigid, tempered extruded 6063-T6 with white acrylic enameled finish
- Rustproof: Exceeds 1000 hour ASTM 5% salt spray test
- No visible housing hardware
- Cool operation: Extends life of all components
- Fully sustainable: Entire luminaire including LED light engine, easily visible and serviced through aperture
- Lightweight: minimizes ceiling load

Installation

- Center point mounting for snug fit to ceiling; mounting hardware furnished
- Indoor or outdoor for covered ceiling use. (see Option -89)

UL, C-UL (Canada) Listings

- Wet, damp or dry locations, covered ceilings. (See Option -89)

IEC & FCC Compliance

- Meets IEC/EN 60601-1-2 electromagnetic compatibility standard for medical electrical equipment
- FCC Part 15 certified for EMI/RFI emissions

FIVE YEAR Limited Warranty

- Complete standard fixture



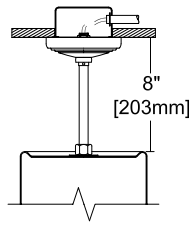
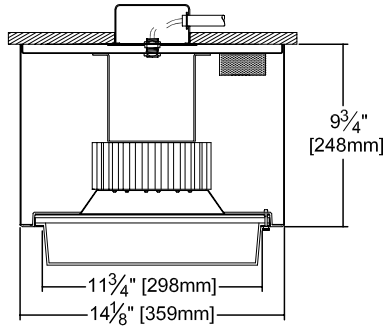
Options and Ordering Configuration

(Example: LSS-14570-6500L-277-30K-94)

Must Specify				Optional				
Model	Lumens	Volts	CCT & CRI	Driver Options	Emergency Options	Housing/Trim	Mounting Options	Other Options
LSS-14570								
	-6500L	-120 -277 -97†: Other Voltage	(Blank): 3500K, 80+ CRI 80+ CRI* -27K: 2700°K -30K: 3000°K -35K: 3500°K -41K: 4000°K -50K: 5000°K *Note: Lumen Factor = 0.93 for -27K 90+ CRI** -27K-HC: 2700°K -30K-HC: 3000°K -35K-HC: 3500°K -41K-HC: 4000°K -50K-HC: 5000°K **Note: Lumen Factor = 0.79 for -27K-HC; All Others = 0.85; Consult Factory	(Blank): Standard 0-10V CCR 10% dim -D1: 0-10V 1.0% dim -D2: 0-10V 0.1% dim -D3: DALI 1.0% dim -D4: DALI 100-0.1% dim -D5: DMX512A 0% dim; consult factory for use with pendant, cable mount -ECO: For use with Lutron EcoSystem controls; Dim to 1% or consult factory; -3500L max	(Blank): None -EI: Remote emergency inverter for 40% rated lumens; 90+ minutes; 120 or 277V, 60Hz input only; N/A with pendant, cable mount -ERH: Remote emergency battery pack; Delivers 1000 lumens; CEC Compliant; 90+ minutes; N/A with pendant, cable mount	(Blank): Standard white enamel housing & trim finish Housing Finishes -35: Silver enamel finish -37: Dark bronze enamel finish -38: Black enamel finish -94: Custom color/finish; specify; consult factory Trim Features -26: Tamper resistant center pin button head screw; 1 key/10 fixtures -46: Gasket between lens and trim	(Blank): Standard surface -80: 2" collar for mounting beneath surface outlet box; 1/2" T.S. KO's; add -89 for wet label -87: Custom length pendant/cable; for -ASB, -ASW, -PM -88: Swivel canopy for sloped ceilings to 40°; with -PM -89: Sealed top WeatherCap; ,must add -80, -PM and -WB for wet label -ASB: Aircraft cable, black cord; 48" or see -87; no wet label -ASW: Aircraft cable, white cord; 48" or see -87; no wet label -PM: Pendant stem; 8" stem or see -87; add -89 for wet label -WB: Wall mounted; add -89 for wet label	(Blank): None -54: Safety cable from fixture through pendant stem and 12" beyond; use with -PM -99: Special modification; consult factory -FS: Single in-line fuse. Not for use with Option -EI

† Consult factory

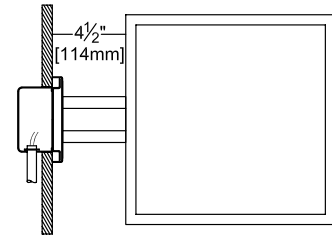
Dimensions



Representative Views:

(Left) With optional pendant mount (Option -PM)

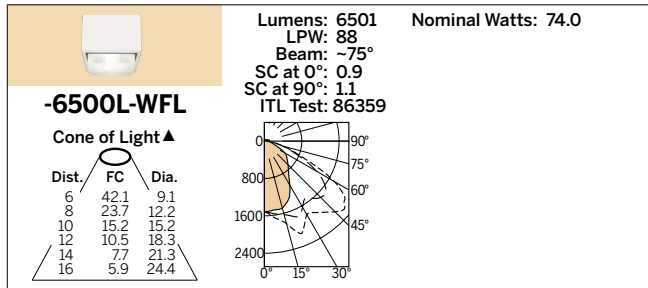
(Right) With optional wall bracket (Option -WB)



Photometry - Installed Complete Fixture

Photometry from I.T.L., Boulder, CO

LM-79 IESNA Certified Photometry from Independent Lab



LED manufacturers maintain a tolerance of +/-7% on flux (lumens) and power (electrical) measurements.

▲ **Cone of Light Key** **Dist.** Distance (Ft.) from fixture
Dia. (in ft.) shown is where **FC** Footcandles at nadir (0°)
 value is half the FC at nadir. **Dia.** Circle of light at 50% of FC

LIMITED WARRANTY: CATALOGED KIRLIN FIXTURES ARE WARRANTED FREE OF DEFECTS IN WORKMANSHIP OR MATERIAL FOR FIVE YEARS FROM DATE OF PURCHASE. INSTALLATION, IN-NORMAL USE, MANUFACTURER AT HIS OPTION WILL REPLACE OR REPAIR SUCH FIXTURE OR RETURN THE PURCHASE PRICE ON PRESENTATION OF PROOF OF PURCHASE AND DEFECTIVE FIXTURE AT THE OFFICE OF MANUFACTURER WITHIN THE YEARS OF ORIGINAL SHIPMENT. LIABILITY OF MANUFACTURER IS LIMITED TO THE ONSALE AND MANUFACTURER SHALL NOT BE LIABLE FOR ANY OTHER DAMAGES, DIRECT OR INDIRECT, SUSTAINED OR SUFFERED BY PURCHASER OR ANY PERSON. THIS WARRANTY IS APPLIED TO THE BUYER IN PLACE OF ALL OTHER WARRANTIES, EXPRESSED OR IMPLIED. SELLER DOES NOT WARRANT AS TO MERCHANTABILITY OR FITNESS FOR A PARTICULAR USE, NOR WILL ANY ORAL STATEMENT CONSTITUTE A WARRANTY OR AMEND THIS SPECIFIC WARRANTY. ABNORMAL USE, ABUSE OF THE FIXTURE, IMPROPER INSTALLATION, OR REPAIR OR MODIFICATION OF THE FIXTURE WITHOUT PRIOR WRITTEN AUTHORIZATION FROM THE MANUFACTURER WILL RENDER THE WARRANTY VOID.