

CATALOG #	TYPE
JOB NAME	VOLTAGE

LSS-07545-2500L

Regressed Lens Surface Square • LED

Up to 60,000 Hour Life • Wet Location
LM-80 Qualified • LM-79 Certified Photometry



Specifications

Delivered System Performance*

- Lumen Series: **MUST SPECIFY**
- 2500L: 2500 nominal lumens (35W).
- Distribution: WFL standard.
- Color temperature: 3500°K standard. Optional: -27K, -30K, -41K or -50K.
- CRI: 80+ standard. Optional: -HC (90+).
- 60,000 hour life (L70).
- Fully sustainable: removable for servicing.

Thermal Management System

- All aluminum heat sink, components and housing maximize cool operation and long life while minimizing maintenance.

LED Power Supply - INTERNAL

- Suitable for outdoor / indoor use: -30°C (-22°F) to 60°C (140°F) standard.
- 120-277V / 50-60Hz standard. Load insensitive.
- 0-10V CCR dimming standard. (100-10%)**

Trim and Lens Assembly

- Seamless tapered aluminum self-flanged trim with white finish.
- Regressed tempered prismatic spread lens.

Aluminum Housing

- Rigid, tempered extruded 6063-T6 with white acrylic enameled finish.
- Rustproof: Exceeds 1000 hour ASTM 5% salt spray test.
- No visible housing hardware.
- Cool operation: Extends life of all components.
- Fully sustainable: Entire luminaire, including LED light engine, easily visible and serviced through aperture.
- Lightweight: minimizes ceiling load.

Installation

- Center point mounting for snug fit to ceiling. Mounting hardware furnished.
- Indoor or outdoor for covered ceiling use. Weather Cap available. See Option -89.

UL, C-UL (Canada) Listings

- Wet, damp or dry locations, covered ceilings. (See Option -89)

IEC & FCC Compliance

- Meets IEC/EN 60601-1-2 electromagnetic compatibility standard for medical electrical equipment.
- FCC Part 15 certified for EMI/RFI emissions.

FIVE YEAR Limited Warranty

- Complete standard fixture.

MUST SPECIFY		OPTIONAL	Ordering Example: LSS-07545-2500L-120-30K-94
Product Number	Voltage	Options	
LSS-07545-2500L	-120 (120 volts) -277 (277 volts) -97 (Specify other)	See "Options" below	

Options

Input Power: SPECIFY

- 120 120V (50-60Hz) input.
- 277 277V (50-60Hz) input.
- 97 Specify other voltage. Consult factory.

LED Power Supply

- D1 0-10V 100-1.0% dimming instead.
- D2 0-10V 100-0.1% dimming instead.
- D3 DALI 100-1.0% dimming instead.
- D4 DALI 100-0.1% dimming instead.
- D5 DMX512A 0% dimming instead. Consult factory for use with pendant, cable mount.
- D40 -40°C driver with 0-10V 10% dimming instead.
- ECO Digital driver for Lutron EcoSystem controls. Dims to 1% or consult factory.
- ERH REMOTE emergency battery pack. Delivers 1000 lumens. CEC Compliant. Run time: 90+ minutes. N/A with pendant, cable mount.

Color Temperature (CCT)

- 27K Color temperature 2700°K instead.
- 30K Color temperature 3000°K instead.
- 41K Color temperature 4100°K instead.

- 50K Color temperature 5000°K instead.
- HC 90+ CRI instead. Consult factory.

Lens and Trim

- 13 Clear poly lens below standard lens. Photometric distribution is unaffected.
- 23 Frosted microprismatic lens instead.
- 46 Gasket between trim and lens.
- 94 Custom color/finish. Specify. Consult factory.
- CF Custom color filter (Rosco). Specify.
- WA White acrylic (flat) diffuser instead; will produce wide flood distribution.

Luminaire (Housing) Finishes

- 35 Silver (natural aluminum) acrylic enamel.
- 37 Dark Bronze acrylic enamel.
- 38 Black acrylic enamel.
- 94 Custom color/finish. Specify. Consult factory.

Mounting

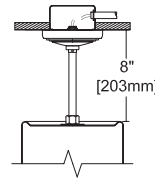
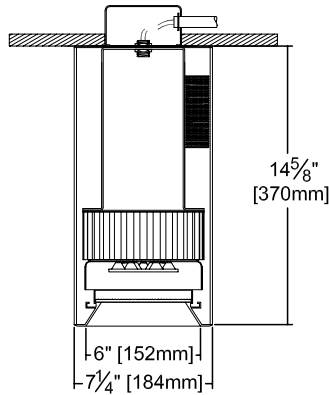
- 54 Safety cable from fixture through pendant stem and 12" beyond. Use with -PM.

- 80 2" collar for mounting beneath surface outlet box. 1/2" T.S. KO's. Must add Option -89 for wet label listing.
- 87 Custom pendant or cable length. Specify length. Use with Option -ASB, -ASW or -PM.
- 88 Swivel canopy for sloped ceilings up to 40°. Use with Option -PM.
- 89 Sealed top WeatherCap. Must add to Options -80, -PM and -WB for wet label listing.
- ASB Aircraft cable pendant mount; black straight cord. 48" or see -87. No wet label listing.
- ASW Aircraft cable pendant mount; white straight cord. 48" or see -87. No wet label listing.
- PM Pendant mount. 8" stem or see Option -87. Must add Option -89 for wet label listing.
- WB Wall bracket mount. Must add Option -89 for wet label listing.

Other

- 99 Special modification. Consult factory.
- FS Single in-line fuse.

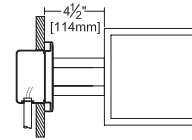
Dimensions



Representative Views:

(Above) With optional pendant mount (Option -PM)

(Right) With optional wall bracket (Option -WB)



Detailed Photometry - Installed Fixture

Photometric testing done in accordance with IESNA LM-79

Photometry from UL Verification Services, Allentown, PA

-2500L STANDARD (WFL)

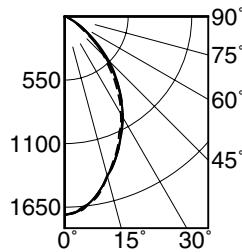
Lumens: 2304
Beam: ~50°
SC: 0.9
LPW: 66
Efficiency: 62.0%
UL Test: 1259219



Total System Watts 34.7

Cone of Light ▲

Dist.	FC	Dia.
6	47.7	5.6
8	26.8	7.4
10	17.2	9.3
12	11.9	11.1
14	8.8	13.0
16	6.7	14.8



	CANDLEPOWER DISTRIBUTION				
	0.0	22.5	45.0	67.5	90.0
0	1717	1717	1717	1717	1717
5	1685	1677	1677	1677	1662
15	1434	1432	1432	1436	1424
25	1116	1139	1146	1152	1150
35	804	828	847	855	842
45	477	475	544	521	497
55	178	220	242	234	214
65	50	65	77	68	56
75	24	24	24	25	25
85	5	5	5	6	6
90	0	0	0	0	0

LM-80 Qualified • LM-79 Certified Photometry

* LED manufacturers maintain a tolerance of ±7% on flux (lumens) and power (electrical) measurements. Kirlin photometrics are actual test data from UL Verification Services (UL) where photometry was measured from 3717 lumen (-2500L) light engines (within the established tolerance).

▲ Cone of Light Key
Dia. (in ft.) shown is where FC value is half the FC at nadir.

Dist. Distance (Ft.) from fixture
FC Footcandles at nadir (0°)
Dia. Circle of light at 50% of FC

SUBMITTAL DATA

JOB NAME
TYPE
WATTAGE
VOLTAGE
CATALOG NUMBER

APPROVAL STAMP



LIMITED WARRANTY: CATALOGED KIRLIN FIXTURES ARE WARRANTED FREE OF DEFECTS IN WORKMANSHIP OR MATERIAL FOR FIVE YEARS FROM DATE OF PURCHASE. INSTALLATION TO N.E.C. IN NORMAL USE. Manufacturer at the option will replace or repair such fixture or refund the purchase price on presentation of proof of purchase and defective fixture at the offices of manufacturer within five years of original shipment. Liability of manufacturer is limited to the foregoing, and manufacturer shall not be liable for any other damages, direct or indirect, sustained or suffered by purchaser or any person. This warranty is supplied to the buyer in place of all other warranties, expressed or implied. Seller does not warrant as to merchantability or fitness for a particular use, nor will any oral statement constitute a warranty or amend this specific warranty. Abnormal use, abuse of the fixture, improper installation, or repair or modification of the fixture without prior written authorization from the manufacturer will render the warranty void.