

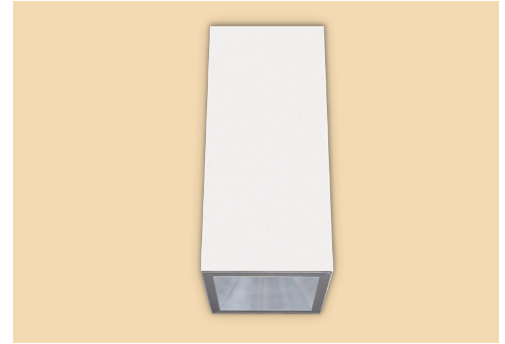
| | | |
|-----------|---------|---------|
| CATALOG # | TYPE | |
| JOB NAME | WATTAGE | VOLTAGE |

Latitudes Series LED Lighting

Open Appearance 7" x 14" Surface Square

Up to 60,000 Hour Rated Life • Wet Listed
LM-80 and LM-79 Certified

LSS-07540



Specifications

Delivered System Performance

- Nominal Lumens: **Must Specify -2500L**
- Select trim & beam distribution: see chart
- Select color (CCT): see chart; 80+ CRI standard; Option -HC for 90+ (15% lumen loss)
- 60,000 Hour Rated Life (L70)

Thermal Management System

- All aluminum heat sink and components for cool operation, long life, low maintenance

LED Driver - INTERNAL

- Indoor/Outdoor: -30°C to 60°C (-22°F to 140°F)
- 0-10V CCR 10% dimming standard
- 120-277V / 50-60 Hz standard; load insensitive

Trim Assembly

- High efficiency low brightness clear aluminum self-flanged reflector with tempered prismatic spread lens above

Aluminum Housing

- Rigid, tempered extruded 6063-T6 with white acrylic enameled finish
- Rustproof: Exceeds 1000 hour ASTM 5% salt spray test
- No visible housing hardware
- Cool operation: Extends life of all components
- Fully sustainable: Entire luminaire
- Lightweight: minimizes ceiling load

Installation

- Center point mounting for snug fit to ceiling; mounting hardware furnished
- 2" collar for surface J-box mount (see Option -80)
- Indoor or outdoor for covered ceiling use (see Option -89)

UL, C-UL (Canada) Listings

- Wet listed in surface of pendant mount

IEC & FCC Compliance

- Meets IEC/EN 60601-1-2 electromagnetic compatibility standard for medical electrical equipment
- FCC Part 15 certified for EMI/RFI emissions

FIVE YEAR Limited Warranty

- Complete standard fixture

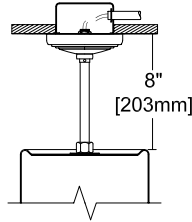
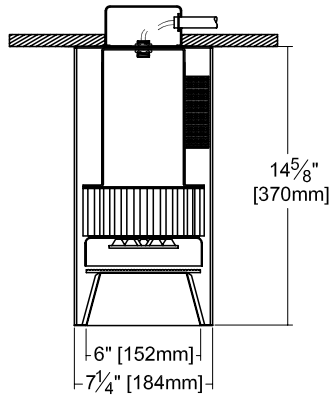


Options and Ordering Configuration

(Example: LSS-07540-2500L-277-NFL-30K-30)

| Must Specify | | | | | Optional | | | | |
|--------------|--------|--|--|---|--|---|--|---|---|
| Model | Lumens | Volts | Beam | CCT & CRI | Driver Options | Emergency Options | Housing/Trim/Lens | Mounting Options | Other Options |
| LSS-07540 | -2500L | -120 -277 -97†: Other Voltage | (Blank): MFL -SPT -NFL -MFL | (Blank): 3500K, 80+ CRI 80+ CRI* -27K: 2700°K -30K: 3000°K -35K: 3500°K -41K: 4000°K -50K: 5000°K *Note: Lumen Factor = 0.93 for -27K 90+ CRI** -27K-HC: 2700°K -30K-HC: 3000°K -35K-HC: 3500°K -41K-HC: 4000°K -50K-HC: 5000°K **Note: Lumen Factor = 0.79 for -27K-HC; All Others = 0.85; Consult Factory | (Blank): Standard 0-10V CCR 10% dim -D1: 0-10V 1.0% dim -D2: 0-10V 0.1% dim -D3: DALI 1.0% dim -D4: DALI 100-0.1% dim -D5: DMX512A 0% dim; consult factory for use with pendant, cable mount -D40: -40°C driver with 0-10V 10% dimming instead -ECO: For use with Lutron EcoSystem controls; Dim to 1% or consult factory | (Blank): None -ERH: Remote emergency battery pack; Delivers 1000 lumens; CEC Compliant; 90+ minutes; N/A with pendant, cable mount | (Blank): Standard white enamel trim with tempered prismatic lens Housing Finishes -35: Silver enamel finish -37: Dark bronze enamel finish -38: Black enamel finish -94: Custom color/finish; specify; consult factory Trim Options -30: All white acrylic enameled cone -31: White acrylic enameled cone flange -70: Softex™ clear self-flanged cone -94: Custom color/finish; specify; consult factory Lens Options -23: Frosted microprismatic lens instead -WA: White acrylic diffuser instead; will produce wide flood distribution | (Blank): Standard surface -80: 2" collar for mounting beneath surface outlet box; ½" T.S. KO's; add -89 for wet label -87: Custom length pendant/cable; for -ASB, -ASW, -PM -88: Swivel canopy for sloped ceilings to 40°; with -PM -89: Sealed top WeatherCap; must add -80, -PM and -WB for wet label -ASB: Aircraft cable, black cord; 48" or see -87; no wet label -ASW: Aircraft cable, white cord; 48" or see -87; no wet label -PM: Pendant stem; 8" stem or see -87; add -89 for wet label -WB: Wall mounted; add -89 for wet label | (Blank): None -54: Safety cable from fixture through pendant stem and 12" beyond; use with -PM -99: Special modification; consult factory -FS: Single in-line fuse |

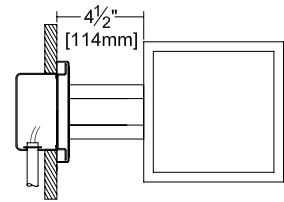
Dimensions



Representative Views:

(Left) With optional pendant mount (Option -PM)

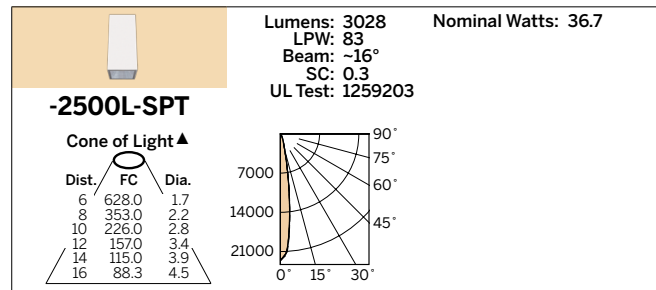
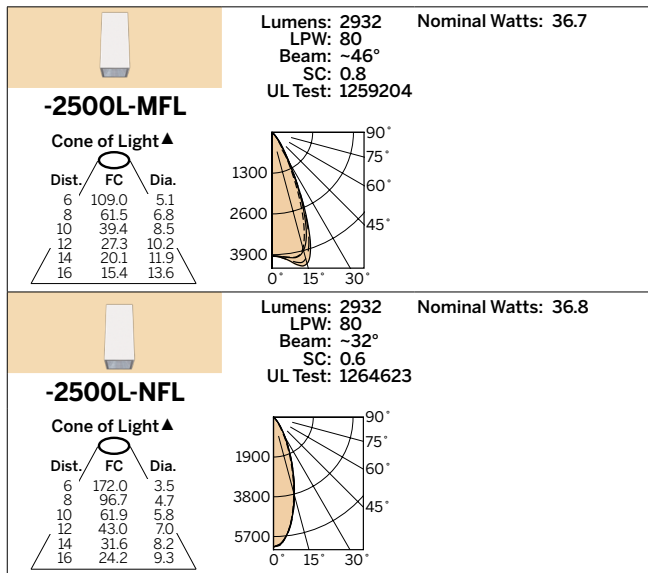
(Right) With optional wall bracket (Option -WB)



Photometry - Installed Complete Fixture

Photometry from UL Verification Services, Allentown, PA

LM-79 IESNA Certified Photometry from Independent Lab



LED manufacturers maintain a tolerance of +/-7% on flux (lumens) and power (electrical) measurements.

▲ **Cone of Light Key** **Dist.** Distance (Ft.) from fixture
Dia. (in ft.) shown is where FC value is half the FC at nadir. **FC** Footcandles at nadir (0°)
Dia. Circle of light at 50% of FC

LIMITED WARRANTY: CATALOGED KIRLIN FIXTURES ARE WARRANTED FREE OF DEFECTS IN WORKMANSHIP OR MATERIAL FOR FIVE YEARS FROM DATE OF PURCHASE. INSTALLED TO N.E.C. / IN-NORMAL USE. Manufacturer at the option will replace or repair such fixture or refund the purchase price on presentation of proof of purchase and defective fixture at the office of manufacturer within the warranty period. Liability of manufacturer is limited to the foregoing and manufacturer shall not be liable for any other damages, direct or indirect, sustained or suffered by purchaser or any person. This warranty is applied to the buyer in place of all other warranties, expressed or implied. Seller does not warrant as to merchantability or fitness for a particular use, nor will any oral statement constitute a warranty. Abnormal use, abuse of the fixture, improper installation, or repair or modification of the fixture without prior written authorization from the manufacturer will render the warranty void.