

CATALOG #	TYPE	
JOB NAME	WATTAGE	VOLTAGE

# Latitudes Series LED Lighting

## Open Appearance 9" Cylinder

Up to 60,000 Hour Rated Life • Wet Listed  
LM-80 and LM-79 Certified

# LSR-09479



## Specifications

### Delivered System Performance

- Nominal Lumens: **Must Specify**
  - 6500L
  - 5000L
  - 3500L
  - 2500L
- Select trim & beam distribution: see chart
- Select color (CCT): see chart; 80+ CRI standard; Option -HC for 90+ (15% lumen loss)
- 60,000 Hour Rated Life (L70)

### Thermal Management System

- All aluminum heat sink and components for cool operation, long life, low maintenance

### LED Driver - INTERNAL

- Indoor/Outdoor: -30°C to 60°C (-22°F to 140°F)
- 0-10V CCR 10% dimming standard
- 120-277V / 50-60 Hz standard; load insensitive

### Trim Assembly

- High efficiency low brightness clear aluminum self-flanged reflector with tempered prismatic spread lens above
- Optional colors and finishes available

### Aluminum Housing

- Seamless white acrylic enameled finish
- Rustproof: Exceeds 1000 hour ASTM 5% salt spray test
- Interlocking flare trim
- No visible cylinder hardware
- Cool operation: Extends life of all components
- Fully sustainable: Entire luminaire
- Lightweight: minimizes ceiling load

### Installation

- Center point mounting for snug fit to ceiling; mounting hardware furnished
- Indoor or outdoor for covered ceiling use (see Option -89)

### UL, C-UL (Canada) Listings

- Wet, damp or dry locations, covered ceilings (see Option -89)

### IEC & FCC Compliance

- Meets IEC/EN 60601-1-2 electromagnetic compatibility standard for medical electrical equipment
- FCC Part 15 certified for EMI/RFI emissions

### FIVE YEAR Limited Warranty

- Complete standard fixture



Made in the USA  
BABAA Compliant



Natorium  
See Option -NAT



FCC Part 15  
Certified



UL Listed  
Wet, Damp, Dry

## Options and Ordering Configuration

(Example: LSR-09479-6500L-120-SPT-30K-80)

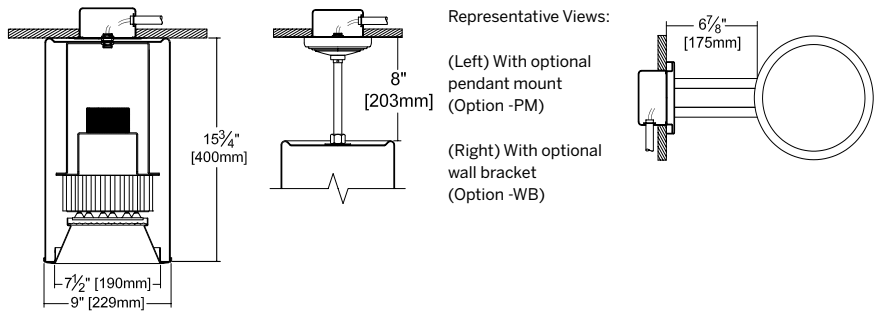
Must Specify					Optional				
Model	Lumens	Volts	Beam	CCT & CRI	Driver Options	Emergency Options	Housing Options	Mounting Options	Other Options
LSR-09479									
	-6500L -5000L -3500L -2500L	-120 -277 -97 <sup>†</sup> : Other Voltage	(Blank): MFL -SPT -MFL -WFL	(Blank): 3500K, 80+ CRI <b>80+ CRI*</b> -27K: 2700°K -30K: 3000°K -35K: 3500°K -41K: 4000°K -50K: 5000°K <b>*Note:</b> Lumen Factor = 0.93 for -27K <b>90+ CRI**</b> -27K-HC: 2700°K -30K-HC: 3000°K -35K-HC: 3500°K -41K-HC: 4000°K -50K-HC: 5000°K <b>**Note:</b> Lumen Factor = 0.79 for -27K-HC; All Others = 0.85; Consult Factory	(Blank): Standard 0-10V CCR 10% dim -D1: 0-10V 1.0% dim -D2: 0-10V 0.1% dim -D3: DALI 1.0% dim -D4: DALI 100-0.1% dim -D5: DMX512A 0% dimming instead; consult factory for use with pendant, cable mount -D40: -40°C driver with 0-10V 10% dimming instead for -3500L or -2500L only -ECO: For use with Lutron EcoSystem controls; Dim to 1% or consult factory; 3500L max	(Blank): None -EI: Remote inverter for 40% of rated lumens for -6500L, 50% for -5000L and -3500L; not available for -2500L; 90+ minutes; 120 or 277V, 60Hz input only N/A for option -FS -ERH: Remote emergency battery pack; Delivers 1000 lumens; CEC Compliant; 90+ minutes; N/A with pendant, cable mount	(Blank): White acrylic housing with clear aluminum self-flanged reflector with prismatic spread lens <b>Housing Finishes</b> -35: Silver enamel finish -37: Dark bronze enamel finish -38: Black enamel finish -94: Custom color/finish; specify; consult factory <b>Trim Options</b> -30: All white acrylic enameled cone -31: White acrylic enameled cone flange -70: Softex™ clear self-flanged cone <b>Lens Options</b> -13: Clear polycarbonate beneath standard lens -23: Frosted microprismatic lens instead -WA: White acrylic (flat) diffuser lens instead; will produce wide flood distribution	(Blank): Standard surface <b>-80:</b> 2" collar for mounting beneath surface outlet box. 1/2" T.S. KO's; Option -89 for wet label listing <b>-87:</b> Custom length pendant/cable; for -ASB, -ASW, -PM <b>-88:</b> Swivel canopy for sloped ceilings to 40°; with -PM <b>-89:</b> WeatherCap cover for wet label; for -80, -PM, -WB <b>-ASB:</b> Aircraft cable, black cord; 48" or see -87; no wet label <b>-ASW:</b> Aircraft cable, white cord; 48" or see -87; no wet label <b>-PM:</b> Pendant stem; 8" stem or see -87; Must add Option -89 for wet label listing <b>-WB:</b> Wall mounted; add -89 for wet label	(Blank): None <b>-54:</b> Safety cable from fixture through pendant stem and 12" beyond; use with -PM <b>-99:</b> Special modification; consult factory <b>-FS:</b> Single in-line fuse; N/A for Option -EI <b>-NAT:</b> Modified for natorium use

<sup>†</sup> Consult factory

## Performance Factors

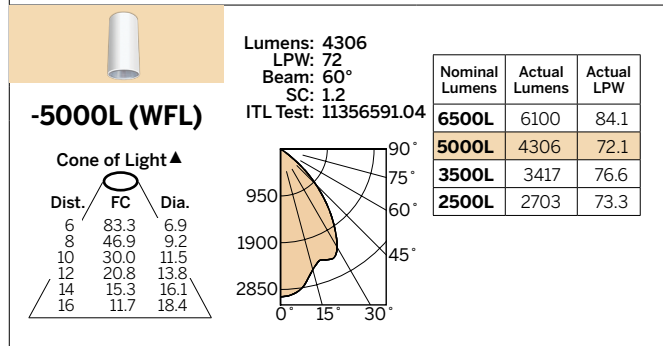
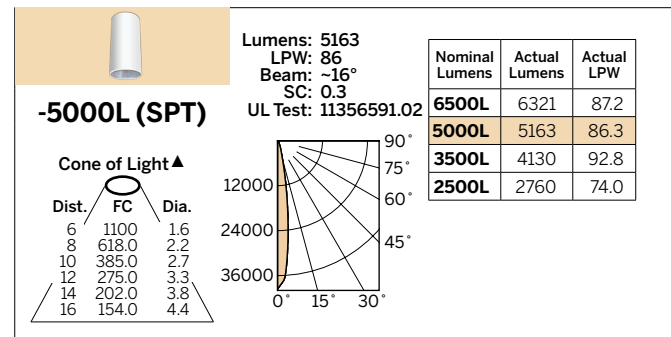
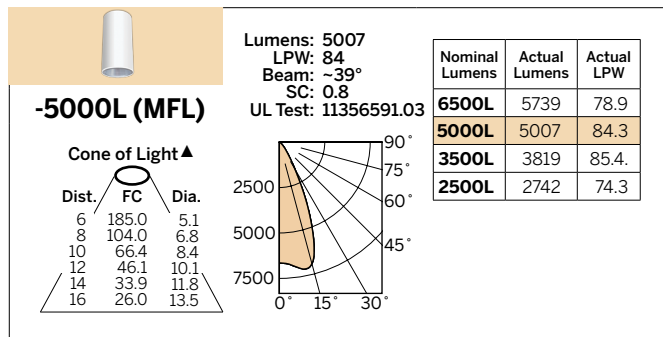
NOMINAL LUMENS	LUMEN FACTOR	NOMINAL WATTS	LPW FACTOR
-6500L	1.15	72.7	0.94
<b>-5000L</b>	<b>1.00</b>	<b>59.4</b>	<b>1.00</b>
-3500L	0.76	44.7	1.01
-2500L	0.48	36.9	0.88

## Dimensions



## Photometry - Installed Complete Fixture

LM-79 IESNA Certified Photometry from Independent Lab



LED manufacturers maintain a tolerance of +/-7% on flux (lumens) and power (electrical) measurements.

▲ Cone of Light Key  
Dia. (in ft.) shown is where FC value is half the FC at nadir.  
Dist. Distance (Ft.) from fixture  
FC Footcandles at nadir (0°)  
Dia. Circle of light at 50% of FC