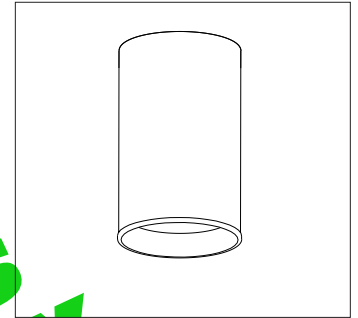


CATALOG #	TYPE	
JOB NAME	WATTAGE	VOLTAGE

6" LED 1250 LUMENS 20 SYSTEM WATTS LSR-06201

Lensed Downlight Cylinder • LED

Up to 90,000 Hour Life • 2 Distributions
LM-80 Qualified • LM-79 Certified Photometry



Specifications

LED Light Engine*

- 1250* lumens, 63 LPW (total system).
- 20 watt LED array. 3500°K standard (or see Options -30K or -41K).
- Up to 83 CRI and 90,000 hour life (L70**). For 90+ CRI, see Option -HC.
- Fully sustainable: removable for servicing.

Thermal Management System

- All aluminum proprietary heat sink, components and housing maximize cool operation and long life while minimizing maintenance.

LED Power Supply

- **0-10V CCR** dimming standard. **0-100%** dimming.
- 120-277V, 50-60Hz standard. Load insensitive.
- Suitable for outdoor & indoor use: -30°C (-22°F) to 60°C (140°F).
- For Lutron HiLume dimming, see Option -39.

- Kirilin remote SmartSupply™ driver instead, see Option -SS.

Trim Assembly

- Seamless white self-flanged aluminum.
- Regressed tempered prismatic C/73 spread lens. Standard MFL distribution (0.8 SC).
- See Options for -NFL (0.4 SC) with acrylic microprismatic lens.

Aluminum Housing

- Seamless white acrylic enameled. Rustproof. Exceeds 1000 hour ASTM 5% salt spray test.
- No visible cylinder hardware.
- Cool operation: Extends life of all components.
- Fully sustainable: Entire luminaire, including LED light engine, is modular, easily visible and serviced through aperture.
- Lightweight: minimizes ceiling load.

Installation

- Center point mounting for snug fit to ceiling. Mounting hardware furnished.
- 2" collar for surface J-box mount. (Option -80)

- Pendant or wall bracket mount available. (See Options -PM, -WB)
- Indoor or outdoor for covered ceiling use. (See Option -89)

UL, C-UL (Canada) Listings

- Wet, damp or dry locations, covered ceilings. (See Option -89)

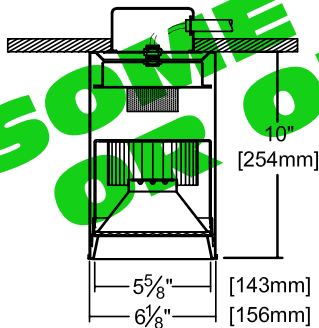
CE & FCC Compliance

- Meets IEC/EN 60601-1-2 electromagnetic compatibility standard for medical electrical equipment.
- FCC Part 15 certified for EMI/RFI emissions.

5 Year Limited Warranty

- Complete standard fixture.

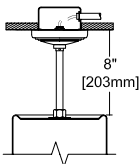
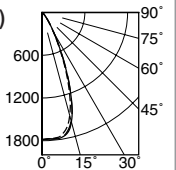
Performance at a Glance



Exceptional Energy Efficiency

STANDARD (MFL) DISTRIBUTION

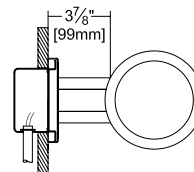
Lumens: 1074
Beam: ~41°
SC: 0.8
Efficiency: 86.3%
ITL Test: 70458



Representative Views:

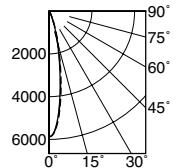
(Left) With optional pendant mount (Option -PM)

(Right) With optional wall bracket (Option -WB)



Option -NFL

Lumens: 1074
Beam: ~20°
SC: 0.4
Efficiency: 86.3%
ITL Test: 70457



THE KIRLIN COMPANY

3401 EAST JEFFERSON AVENUE • DETROIT, MICHIGAN 48207-4232
(313) 259-6400 • Fax: (313) 259-9409 OR (313) 259-3121 • www.kirlinlighting.com

*See note next page

LED LIGHTING

MAX. LUMENS

1250

MAX. SYSTEM WATTS

20

CATALOG NUMBER

LSR-06201

DUE TO OUR CONTINUING EFFORT TO IMPROVE PRODUCTS, TECHNICAL INFORMATION IS SUBJECT TO CHANGE WITHOUT NOTICE. THE KIRLIN COMPANY EXPECTS PHOTOMETRIC PERFORMANCE TO IMPROVE SIGNIFICANTLY AND FREQUENTLY AS LED SOURCE TECHNOLOGY IMPROVES.

Detailed Photometry - Installed Fixture

Photometric testing done in accordance with IESNA LM-79-08

Photometry from I.T.L., Boulder, CO

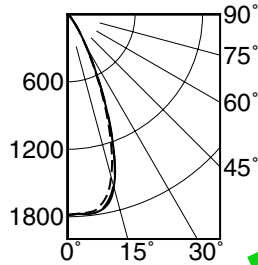
STANDARD (MFL)

Lumens: 1074
Beam: ~41°
SC: 0.8
Efficiency: 86.3%
ITL Test: 70458



Cone of Light ▲

Dist.	FC	Dia.
6	49.6	4.5
8	27.9	6.0
10	17.8	7.5
12	12.4	9.0
14	9.1	10.5
16	7.0	12.0



CANDLEPOWER DISTRIBUTION

	0.0	22.5	45.0	67.5	90.0
0	1784	1784	1784	1784	1784
5	1773	1779	1780	1786	1785
15	1496	1519	1574	1596	1589
25	627	645	673	670	661
35	164	160	162	162	168
45	41	39	39	40	42
55	18	18	19	18	18
65	11	11	11	11	11
75	5	5	5	4	5
85	1	1	1	1	1
90	0	0	0	0	0

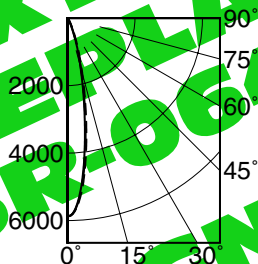
Option -NFL

Lumens: 1074
Beam: ~20°
SC: 0.4
Efficiency: 86.3%
ITL Test: 70457



Cone of Light ▲

Dist.	FC	Dia.
6	162.9	2.1
8	91.6	2.8
10	58.7	3.5
12	40.7	4.2
14	29.9	4.9
16	22.9	5.6



CANDLEPOWER DISTRIBUTION

	0.0	22.5	45.0	67.5	90.0
0	5865	5865	5865	5865	5865
5	5045	5024	4960	4915	4899
15	1680	1617	1524	1475	1476
25	367	298	252	259	311
35	69	59	64	58	54
45	20	22	27	22	19
55	10	11	12	12	11
65	8	6	8	8	7
75	3	3	4	5	4
85	1	0	1	1	0
90	0	0	0	0	0

LM-80 Qualified • LM-79-08 Compliant Photometry

* LED manufacturers maintain a tolerance of +/- 7% on flux (lumens) and beam angle. Actual photometrics are actual test results from independent testing facilities where photometric measurements are taken from 1243 lumen light sources in a controlled environment.

▲ **Cone of Light Key**
Ft. Distance from fixture
FC Footcandles at nadir (0°)
Dia. Circle of light at 50% of FC
Dia. (in ft.) shown is where FC value is half the FC at nadir.

Options

LED Power Supply

- 39 Specify "-39(Lutron)" for Hi-Lume 3 wire full range (0-100%) PWM dimming instead.
- 97 Specify other voltage. Consult factory.
- EI Remote emergency inverter for 100% of rated lumens. Run time: 90+ minutes. 120 or 277V, 60 Hz input only. Specify voltage. Not for use with -SS SmartSupply™ driver.
- SS Remote mounted Kirlin SmartSupply™ driver, sold separately. Drives up to 12 (20W) luminaires. Order LPS-1220A (0-10V analog for 0-100% PWM dimming). Consult factory or see www.kirlinlighting.com for more information.

Color (CCT and CRI)

- 30K Color temperature 3000°K instead.
- 41K Color temperature 4100°K instead.

-HC 90+ CRI instead. 3000°K only. Consult factory for availability. Reduces output by ~15%.

Optics

-NFL Narrow flood distribution. (0.4 SC)

Trims

-94 Custom color/finish. Specify. Consult factory.

Luminaire (Housing) Finishes

- 35 Natural aluminum acrylic enamel.
- 36 Gold acrylic enamel.
- 37 Dark Bronze acrylic enamel.
- 38 Black acrylic enamel.
- 94 Custom color/finish. Specify. Consult factory.

Mounting

- 54 Safety cable from fixture through pendant stem and 12" beyond. Use with -PM.
- 80 2" collar for mounting beneath surface outlet

- box. 1/2" T.S. KO's. Must add Option -89 for wet label listing.
- 87 Custom pendant / wall bracket / cable length. Specify length. Use with -AS, -PM, or -WB.
- 88 Swivel canopy for sloped ceilings up to 40°. Use with Option -PM.
- 89 Sealed top WeatherCap. Must add to Options -80, -PM and -WB for wet label listing.
- AS Aircraft cable pendant mount with white straight cord. 48" or see -87. No wet label listing for cable pendant mount.
- PM Pendant mount. 8" stem or see Option -87. Must add Option -89 for wet label listing.
- WB Wall bracket mount. Must add Option -89 for wet label listing.

Other

- 99 Special modification. Consult factory.

SUBMITTAL DATA

JOB NAME _____
TYPE _____
WATTAGE _____ VOLTAGE _____
CATALOG NUMBER _____

APPROVAL STAMP

THIS FIXTURE HAS BEEN REPLACED BY LSR-06477. SOME DESIGN FEATURES MAY HAVE CHANGED

LIMITED WARRANTY: CATALOGED KIRLIN FIXTURES ARE WARRANTED FREE OF DEFECTS IN WORKMANSHIP OR MATERIAL FOR THREE YEARS FROM DATE OF PURCHASE. INSTALL TO N.E.C. IN NORMAL USE. Manufacturer of the option will replace or repair such fixture or refund the purchase price on presentation of proof of purchase and defective fixture at the offices of manufacturer within three years of purchase. Liability of manufacturer is limited to the foregoing and manufacturer shall not be liable for any other damages, direct or indirect, sustained or suffered by purchaser or any person. This warranty is supplied to the buyer in place of all other warranties, expressed or implied. Seller does not warrant as to merchantability or fitness for a particular use, nor will any oral statement constitute a warranty or amend the specific warranty. Abnormal use, abuse of the fixture, improper installation, or repair or modification of the fixture without prior written authorization from the manufacturer will render the warranty void.