

CATALOG #	TYPE	
JOB NAME	WATTAGE	VOLTAGE

Kirlin Select Series

6" Downlight Cylinder • LED • Lensed

LM-79 Certified • LM-80 Qualified

LSR-06173



Specifications

Delivered System Performance

- Nominal Lumens: **Must Specify**

-2000L
-1500L
-1100L

- Distribution: WFL
- Color temperature: 3500°K standard
-Optional: -30K, -40K; CRI 80+
- 50,000 hour life (L70**)

Thermal Management System

- Aluminum heat sink and components for cool operation, long life, and low maintenance

LED Driver - INTERNAL

- Indoor/Outdoor: -30°C to 60°C (-22°F to 140°F)
- 0-10V linear dimming standard (100-1%)
- 120-277V / 50-60 Hz standard; load insensitive or see Option -97

Trim Assembly

- Tapered aluminum all white smooth self-flanged trim (field paintable) interlocks with cylinder
- Regressed tempered prismatic lens

Aluminum Housing

- Seamless white acrylic enameled. See Optional finishes
- Rustproof and corrosion resistant: exceeds 1000 hour ASTM 5% salt spray test
- No visible cylinder hardware
- Cool operation extends component life
- Modular design; visible and fully serviceable through aperture
- Lightweight: minimizes ceiling load

Installation

- Center point mounting for snug fit to ceiling. Mounting hardware furnished. Also see Option -80

- Indoor/outdoor in covered ceilings (See Option -89)
- Optional pendant, cable and wall bracket mounts

UL, C-UL (Canada) Listings

- Wet, damp or dry locations, covered ceilings (See Option -89)

IEC & FCC Compliance

- Meets IEC/EN 60601-1-2 electromagnetic compatibility standard for medical electrical equipment
- FCC Part 15 certified for EMI/RFI emissions

FIVE YEAR Limited Warranty

- Complete standard fixture

Options and Ordering Configuration

(Example: LSR-06173-2000L-277-WFL-30K-38-88-PM)



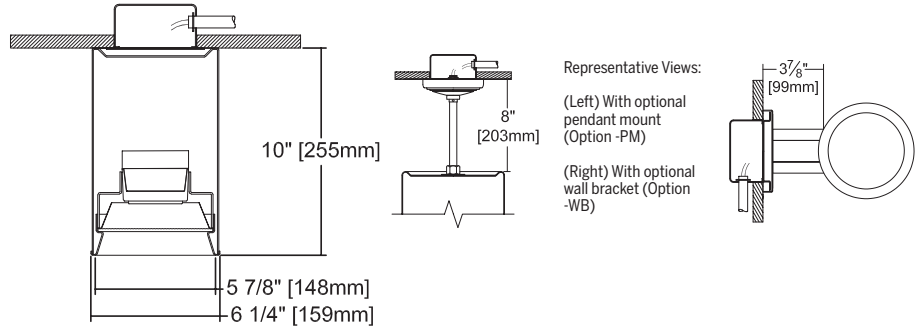
Must Specify				Optional			
Model	Lumens	Volts	CCT† & CRI	Emergency Options	Luminaire (Housing) Finishes	Mounting Options	Other Options
LSR-06173	-2000L -1500L -1100L	(Blank): 120-277 -120 -277 -97†; Other Voltage	(Blank): 3500K, 80+ CRI -30K: 3000°K -35K: 3500°K -40K: 4000°K	(Blank): None -EI: Remote emergency inverter for 100% rated lumens; Run time: 90+ minutes; 120 or 277V, 60 Hz input only. Specify voltage. N/A for option -FS	(Blank): White aluminum self-flanged trim with regressed prismatic spread lens -35: Silver acrylic enamel -37: Dark bronze enamel -38: Black enamel trim -94: Custom color; consult factory	(Blank): Center point mounting -54: Safety cable from fixture through pendant stem and 12" beyond. Use with -PM -80: 2" collar for mounting beneath surface outlet box. 1/2" T.S. KO's. Must add option -89 for wet label listing -87: Custom pendant/cable/wall bracket length. Specify length. Use with Option -ASB, -ASW, -PM or -WB -88: Swivel canopy for sloped ceilings up to 40°. Use with Option -PM -89: Sealed top WeatherCap. Must add to Options -80, -PM, and -WB for wet label listing -ASB: Aircraft cable pendant mount; black straight cord. 48" or see -87. No wet label listing -ASW: Aircraft cable pendant mount; white straight cord. 48" or see -87. No wet label listing -PM: Pendant mount. 8" stem or see Option -87. Must add Option -89 for wet label listing -WB: Wall bracket mount instead. 3 1/2" arm. Must add Option -89 for wet label listing	(Blank): None -99: Special modification; consult factory -FS: Fused primary; One per fixture; N/A for option -EI

†Consult factory

Performance Factors

NOMINAL LUMENS	LUMEN FACTOR	NOMINAL WATTS	LPW FACTOR
-2000L	1.00	20.2	1.00
-1500L	0.75	15.2	1.00
-1100L	0.55	11.2	1.00

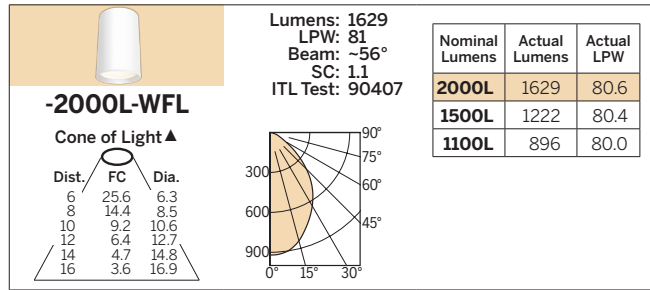
Dimensions



* See notes on page 1 for additional info on Lumen Factors

Photometry - Installed Complete Fixture

LM-79 IESNA Certified Photometry from Independent Lab



LED manufacturers maintain a tolerance of +/-7% on flux (lumens) and power (electrical) measurements.

▲ Cone of Light Key
Dia. (in ft.) shown is where FC value is half the FC at nadir.
Dist. Distance (Ft.) from fixture
FC Footcandles at nadir (0°)
Dia. Circle of light at 50% of FC