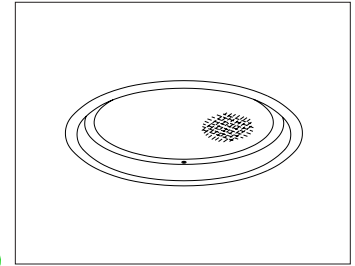


CATALOG #	TYPE	
JOB NAME	WATTAGE	VOLTAGE

8" LED 2450 LUMENS 38 SYSTEM WATTS LRV-08430

## Vandal Resistant LED Downlight

50,000+ Hour Life (L70) • Sealed Housing Optional  
LM-80 Qualified • LM-79 Certified Photometry



### Specifications

#### LED Light Engine\*

- 38 watt LED array. 3500°K standard (or see Option -41K).
- 2450\* lumens, 65 lumens per watt (total system).
- 81 CRI, 50,000+ hour life (L70).\*\*
- Fully sustainable: removable for servicing.

#### Thermal Management System

- All-aluminum proprietary heat sink, components and housing maximize cool operation and long life while minimizing maintenance.

#### LED Power Supply

- Suitable for outdoor / indoor use: -30°C (-22°F) to 70°C (158°F).
- Specify 120V or 277V (50-60Hz). Load insensitive.
- **0-10 volt dimming standard.**
- Kirlin remote SmartSupply™ driver instead (up to 6 luminaires). See Option -SS.

#### Trim / Lens Assembly

- Vandal resistant smooth white seamless tapered aluminum self-flanged flare trim.
- Flush center pin tamperproof hex screws

- and captive nuts secure trim to housing.
- High strength prismatic acrylic above 1/8" clear flat polycarbonate.
- Continuous Ring secures lens to trim.
- Tamperproof tool included.

#### Thermal Protection

- Thermal protector (per current NEC) provides automatic cut-off if rated temperature is exceeded. Must specify input voltage.

#### Acrylic Enamelled Aluminum Housing

- Rustproof and corrosion resistant. Exceeds 1000 hour ASTM 5% salt spray test.
- Shallow depth fits restricted plenums.
- Cool operation. Extends life of all components.
- Fully sustainable: Entire luminaire, including LED light engine, easily visible and serviced through aperture. Built-in plaster flange.
- Sealed housing design (CCEA compliant) available, see Option -SH.

#### Outlet Box

- UL listed J-box with insulated removable cover. Prewired 14 GA (NEC) with 1/2" and 3/4" knockouts.

#### Installation

- Recesses indoor/outdoor in covered locations.
- Accommodates ceilings up to 1-1/8" thick or see Option -79.
- 27" galvanized hanger bars with adjustable mounting brackets (2) supplied.
- For residential mounting hardware for wood joist ceilings, see Option -RH.

#### UL, C-UL (Canada) Listings

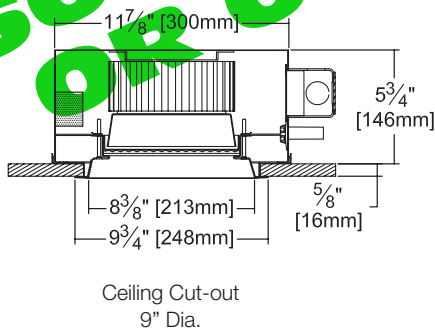
- Wet, damp or dry locations, covered ceilings.
- Through-branch conductors (4 #12 AWG 90°C).

#### CE & FCC Compliance

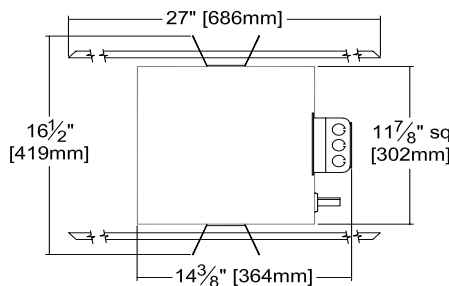
- Certified to meet IES 60601-1-2 & EN 60601-1-2 electromagnetic compatibility standard for medical electrical equipment.
- FCC Part 15 certified for EMI/RFI emissions.

**5 Year** FIVE YEAR Limited Warranty  
• Complete standard fixture.

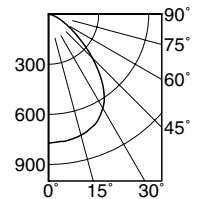
### Performance at a Glance



Exceptional Energy Efficiency  
EEE



Lumens: 1531  
Beam: ~89°  
SC: 1.2  
Effic: 62.4%  
ITL Test: 68388



## THE KIRLIN COMPANY

3401 EAST JEFFERSON AVENUE • DETROIT, MICHIGAN 48207-4232  
(313) 259-6400 • Fax: (313) 259-9409 OR (313) 259-3121 • www.kirlinlighting.com

\* See note next page  
\*\* See note next page

MAX. LUMENS      MAX. SYSTEM WATTS      CATALOG NUMBER

LED LIGHTING      2450      38      LRV-08430

Detailed Photometry - Installed Fixture

Photometry from I.T.L., Boulder, CO

Photometric testing done in accordance with IESNA LM-79-08

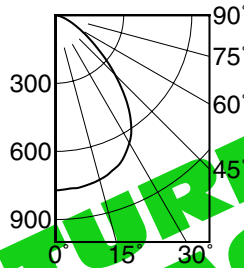
LRV-08430

Lumens: 1531  
Beam: ~89°  
SC: 1.2  
Effic: 62.4%  
ITL Test: 68388



Cone of Light ▲

Dist.	FC	Dia.
6	21.4	7.4
8	12.1	9.9
10	7.7	12.4
12	5.4	14.9
14	3.9	17.4
16	3.0	19.8



	CANDLEPOWER DISTRIBUTION				
	0.0	22.5	45.0	67.5	90.0
0	772	772	772	772	772
5	766	766	766	766	766
15	750	750	750	750	750
25	700	700	700	700	700
35	579	579	579	579	579
45	371	371	371	371	371
55	184	184	184	184	184
65	79	79	79	79	79
75	26	26	26	26	26
85	4	4	4	4	4
90	0	0	0	0	0

LM-80 Qualified • LM-79 Certified Photometry

▲ Cone of Light Key  
Ft. Distance from fixture  
FC Footcandles at nadir (0°)  
Dia. Circle of light at 50% of FC  
Dia. (in ft.) shown is where FC value is half the FC at nadir.

\* LED manufacturers maintain a tolerance of ±7% on flux (lumens) and power (electrical) measurements. Kirlin photometrics are actual test data from Independent Testing Laboratories (ITL).  
\*\* LED Operating Characteristics: 50,000+ hours at 70% lumen maintenance. (L70)

Options

LED Power Supply

- 120 Power supply and thermal protector rated for 120V (50-60Hz) input.
- 277 Power supply and thermal protector rated for 277V (50-60Hz) input.
- 39 Specify "-39Lutron" for Hi-Lume 3 wire full range (0-100%) dimming power supply instead of standard 0-10V dimming.
- 98 347V 50 Hz. instead. Consult factory.
- EI Remote emergency inverter for 100% rated lumen output. Run time: 90 minutes. Not for use with -SS SmartSupply™ driver.

- SS Remote mounted Kirlin SmartSupply™ driver, sold separately. Drives up to 6 fixtures at 38 watts each. Order LPS-1220A (0-10V analog dimming) or LPS-1220D (DMX dimming). See kirlinlighting.com or consult factory for more information.

Color Temperature (CCT)

- 41K Color temperature 4100°K. Consult factory.

Lenses and Trims

- 32 White oversize trim ring. Specify O.D.
- 45 Gasket between trim flange and ceiling.
- 46 Gasket between trim and lens.
- 94 Custom color/finish. Specify. Consult factory.

Other

- 99 Special modification. Consult factory.
- RH Residential mounting hardware instead. Suitable for wood joist ceilings with spacing from 14 1/8" to 25 1/8" with 5/8" vertical adjustability.
- SH Sealed housing and junction box, CCEA Approved.

SUBMITTAL DATA

APPROVAL STAMP

JOB NAME \_\_\_\_\_  
TYPE \_\_\_\_\_  
WATTAGE \_\_\_\_\_ VOLTAGE \_\_\_\_\_  
CATALOG NUMBER \_\_\_\_\_

THIS FIXTURE HAS BEEN REPLACED BY LRV-08470-43(42W) SOME DESIGN FEATURES MAY HAVE CHANGED

LIMITED WARRANTY: CATALOGED KIRLIN FIXTURES ARE WARRANTED FREE OF DEFECTS IN WORKMANSHIP OR MATERIAL FOR THREE YEARS FROM DATE OF PURCHASE. INSTALL TO N.E.C. IN NORMAL USE. Manufacturer of the option will replace or repair such fixture or refund the purchase price on presentation of proof of purchase and defective fixture at the offices of manufacturer within three years of original shipment. Liability of manufacturer is limited to the foregoing and manufacturer shall not be liable for any other damages, direct or indirect, sustained or suffered by purchaser or any person. This warranty is supplied in place of all other warranties, expressed or implied. Seller does not warrant as to merchantability or fitness for a particular use, nor will any oral statement constitute a warranty or amend this specific warranty. Abnormal use, abuse of the fixture, improper installation, or repair, or modification of the fixture without prior written authorization from the manufacturer will render the warranty void.