

CATALOG #	TYPE	
JOB NAME	WATTAGE	VOLTAGE

Latitudes Series

Vandal Resistant 7" Downlight • LED

Up to 90,000 Hour Rated Life • Type IC • AirTight Optional
Wet Listed • LM-79 Certified • LM-80 Qualified

LRV-07469



Specifications

Delivered System Performance

- Nominal Lumens: **Must Specify**

Type IC
-2000L
-1500L
-1000L

- Select trim & beam distribution: see chart
- Select color (CCT): see chart; 80+ CRI standard; Option -HC for 90+ (15% lumen loss)
- 90,000 Hour Rated Life (L70**)

Thermal Management System

- Aluminum heat sink and components for cool operation, long life, and low maintenance

LED Driver - INTERNAL

- Indoor/Outdoor: -30°C to 60°C (-22°F to 140°F)
- 0-10V CCR 10% dimming standard
- 120-277V / 50-60 Hz standard; load insensitive

Trim Assembly

- Vandal resistant smooth white seamless tapered aluminum self-flanged flare trim (field paintable)
- Flush center pin tamperproof hex screws and captive nuts secure trim to housing
- Clear prismatic acrylic above 1/8" clear flat polycarbonate
- Continuous ring secures lens to trim
- Tamperproof tool included

Acrylic Enameled Aluminum Housing

- Rustproof and corrosion resistant: exceeds 1000 hour ASTM 5% salt spray test
- Shallow depth fits restricted plenums
- Cool operation extends component life
- Modular design; visible and fully serviceable through aperture
- Built-in plaster flange

Outlet Box (Galvanized)

- UL Listed, 14GA, insulated, removable cover
- 1/2" and 3/4" knockouts

Installation & Hardware

- Indoor/outdoor in ceilings up to 1 1/8" thick
- Compatible with fire rated enclosures (by others)
- 27" hanger bars & adjusting brackets (2) supplied

UL, C-UL (Canada) Compliance

- Wet, damp or dry locations, covered ceilings
- Type IC for direct contact with insulation
- Through-branch conductors (4 #12 AWG 90°C) for Type IC Listing

IEC & FCC Compliance

- Meets IEC/EN 60601-1-2 electromagnetic compatibility standard for medical electrical equipment
- FCC Part 15 certified for EMI/RFI emissions

FIVE YEAR Limited Warranty

- Complete standard fixture

Options and Ordering Configuration

(Example: LRV-07469-2000L-120-WFL-30K-37T-NAT)

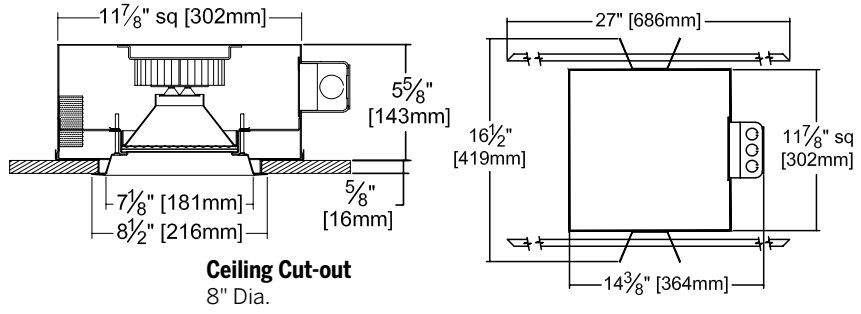


Must Specify					Optional			
Model	Lumens	Volts	Beam	CCT† & CRI	Driver Options	Emergency Options	Trim Options	Other Options
LRV-07469	-2000L -1500L -1000L	-120 -277 -97†: Other Voltage	(Blank): MFL -SPT -NFL -MFL -WFL	(Blank): 3500°K, 80+ CRI 80+ CRI* -27K: 2700°K -30K: 3000°K -35K: 3500°K -41K: 4000°K -50K: 5000°K *Note: Lumen Factor = 0.93 for -27K	(Blank): Standard 0-10V CCR 10% dim -D1†: 0-10V 1.0% dim -D2†: 0-10V 0.1% dim -D3†: DALI 1.0% dim -D4†: DALI 100-0.1% dim -D5†: DMX512A 0.1% dim -D40: -40°C (-40°F) driver; 0-10V 10% dim	(Blank): None -EI: Remote emergency inverter for 100% rated lumens; Run time: 90+ minutes; N/A for options -FS, -97 -ERH: Remote emergency battery pack; Delivers 1000 lumens; CEC Compliant; Run time: 90+ minutes	(Blank): Standard smooth white seamless tapered aluminum self-flanged trim Trim Finishes -35F: Silver enamel flange (flange only) -35T: Silver enamel trim (complete trim) -37F: Dark bronze enamel flange (flange only) -37T: Dark bronze enamel trim (complete trim) -38F: Black enamel flange (flange only) -38T: Black enamel trim (complete trim) -94: Custom color; consult factory Other Trim Features -23: Frosted microprismatic lens -45: Gasket between trim & ceiling -46: Gasket between trim & lens -CF: Custom color filter (Rosco); Specify -WA: White acrylic lens	(Blank): None Mounting -RH: Joist mounting hardware instead Other Options -99: Special modification; consult factory -AT: Air Tight version; Meets ASTM E283 airflow restriction of 2CFM max AWN: Athena Wireless Node; N/A for Dimming Options D5, -D40 -FS: Fused primary; One per fixture; N/A for option -EI -NAT: Modified for natatorium use *Note: For other integrated control solutions, such as nLight, contact factory
		†Consult factory		90+ CRI** -27K-HC: 2700°K -30K-HC: 3000°K -35K-HC: 3500°K -41K-HC: 4000°K -50K-HC: 5000°K **Note: Lumen Factor = 0.79 for -27K-HC; All Others = 0.85; consult factory	†Consult factory for use with -2000L			

Performance Factors

NOMINAL LUMENS	LUMEN FACTOR	NOMINAL WATTS	LPW FACTOR
-2000L	1.257	28.6	0.92
-1500L	1.00	20.9	1.00
-1000L	0.579	10.3	1.17

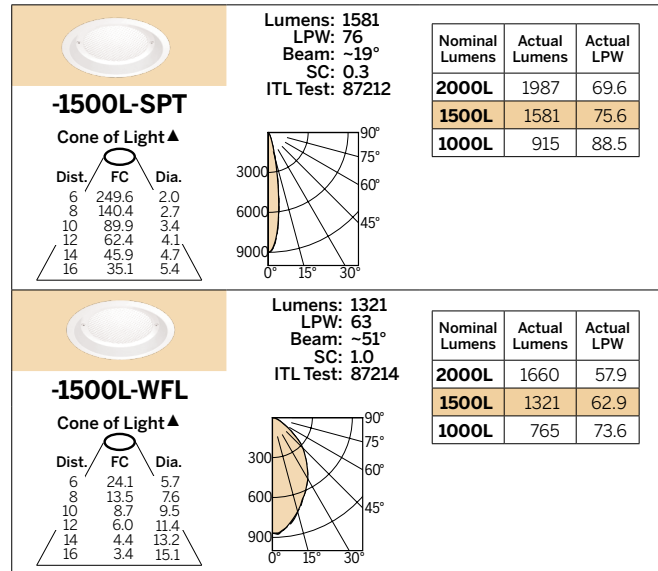
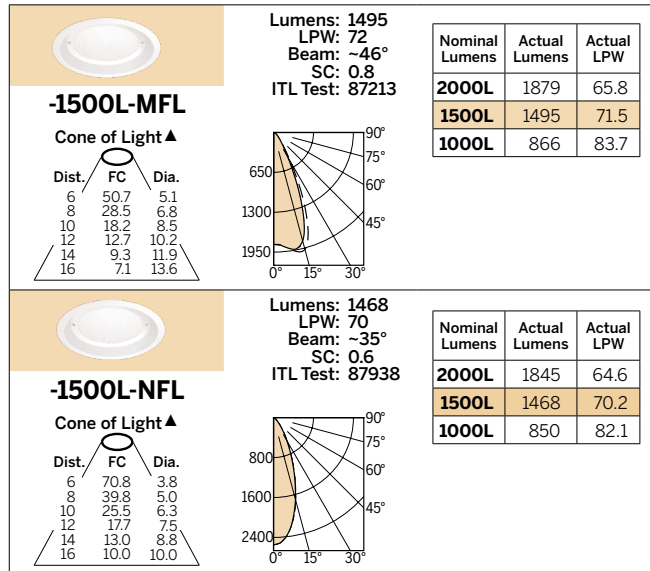
Dimensions



* See notes on page 1 for additional info on Lumen Factors

Photometry - Installed Complete Fixture

LM-79 IESNA Certified Photometry from Independent Lab



LED manufacturers maintain a tolerance of +/-7% on flux (lumens) and power (electrical) measurements.

LIMITED WARRANTY: CATALOGED KIRLIN FIXTURES ARE WARRANTED FREE OF DEFECTS IN WORKMANSHIP OR MATERIAL FOR FIVE YEARS FROM DATE OF PURCHASE. INSTALLATION, USE, MANUFACTURER AT HIS OPTION WILL REPLACE OR REPAIR SUCH FIXTURE OR RETURN THE PURCHASE PRICE OR REPRESENTATION OF PROOF OF PURCHASE AND DEFECTIVE FIXTURE AT THE OFFICE OF MANUFACTURER WITHIN THE YEAR OF ORIGINAL INSTALLATION. LIABILITY OF MANUFACTURER IS LIMITED TO THE FOREGOING AND MANUFACTURER SHALL NOT BE LIABLE FOR ANY OTHER DAMAGES, DIRECT OR INDIRECT, SUSTAINED OR SUFFERED BY PURCHASER OR ANY PERSON. THIS WARRANTY IS APPLIED TO THE BUYER IN PLACE OF ALL OTHER WARRANTIES, EXPRESSED OR IMPLIED. SELLER DOES NOT WARRANT AS TO MERCHANTABILITY OR FITNESS FOR A PARTICULAR USE, NOR WILL ANY ORAL STATEMENT CONSTITUTE A WARRANTY OR AMEND THIS SPECIFIC WARRANTY. ABNORMAL USE, ABUSE OF THE FIXTURE, IMPROPER INSTALLATION, OR REPAIR OR MODIFICATION OF THE FIXTURE WITHOUT PRIOR WRITTEN AUTHORIZATION FROM THE MANUFACTURER WILL RENDER THE WARRANTY VOID.

LATTITUDES
NOVEMBER 2024