

CATALOG #	TYPE	
JOB NAME	WATTAGE	VOLTAGE

# Latitudes Series

16,000 Lumen Recessed Asymmetric Square  
LED • Sport Court • Gym • High Ceilings  
LM-79 Certified • LM-80 Qualified • Wet Location

## LRS-21605



### Specifications

#### Delivered System Performance

- Nominal Lumens: **Must Specify**
  - Non-IC**
  - 16,000L**
  - 10,000L**
- Distribution: Offset distribution x MFL
- Select color (CCT): see chart; 80+ CRI standard; Option -HC for 90+ (15% lumen loss)
- 60,000 hour rated life (L70)

#### Thermal Protection: Voltage Specific

- Thermal protector for insulation detection per UL/NEC. Must specify input voltage.

#### Thermal Management System

- Aluminum heat sink and components for cool operation, long life, and low maintenance

#### LED Driver - INTERNAL

- Indoor/Outdoor: -30°C to 60°C (-22°F to 140°F)
- 0-10V CCR 10% dimming standard
- 120-277V / 50-60 Hz standard; load insensitive

#### Trim and Lens Assembly

- Extruded seamless, fastener-free smooth white flat frame (trim). Rustproof and corrosion-resistant aluminum
- Impact-resistant clear poly below prismatic high strength acrylic diffuser
- Lens assembly internally secured to extruded trim. No visible hardware.

#### Acrylic Enameled Aluminum Housing

- Rustproof and corrosion resistant: exceeds 1000 hour ASTM 5% salt spray test
- Shallow 9" depth fits restricted plenums
- Cool operation extends component life
- Modular design; visible and fully serviceable through aperture
- Built-in plaster flange

#### Outlet Box (Galvanized)

- UL Listed, 14GA, insulated, removable cover
- 1/2" and 3/4" knockouts

#### Installation & Hardware

- Indoor/outdoor in ceilings up to 1 1/8" thick
- 27" hanger bars (2) with adjustable mounting brackets (4) supplied

#### UL, C-UL (Canada) Listings

- Wet, damp or dry locations, covered ceilings
- Through-branch conductors (4 #12 AWG 90°C)

#### FCC Compliance

- FCC Part 15 certified for EMI/RFI emissions

#### FIVE YEAR Limited Warranty

- Complete standard fixture

## Options and Ordering Configuration

(Example: LRS-21605-16000L-277-30K-35T-NAT)

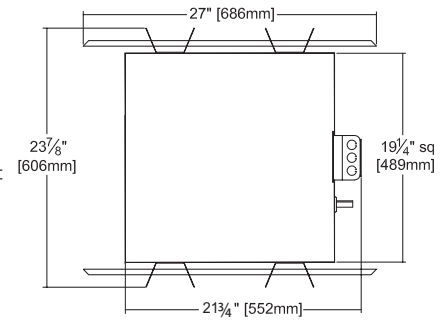
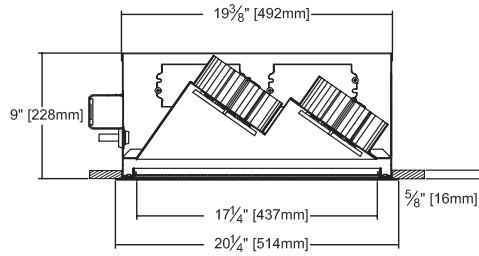


Must Specify				Optional		
Model	Lumens	Volts	CCT† & CRI	Emergency Options	Trim Options	Other Options
LRS-21605	-16000L -10000L	-120 -277	(Blank): 3500°K, 80+ CRI  <b>80+ CRI*</b> -27K: 2700°K -30K: 3000°K -35K: 3500°K -41K: 4100°K  *Note: Lumen Factor = 0.93 for -27K  <b>90+ CRI**</b> -27K-HC: 2700°K -30K-HC: 3000°K -35K-HC: 3500°K -41K-HC: 4100°K  **Note: Lumen Factor = 0.79 for -27K-HC; All Others = 0.85; consult factory	(Blank): None  -E15: Remote emergency inverter for 25% of rated lumens. Runtime: 90+ minutes. 120 or 277V, 60 Hz input only. 50W. Specify voltage. Not for use for -FS (Alternatively, see EMI-21220 for 100% of rated lumens)	(Blank): White self-flanged downlight trim  <b>Trim Finishes</b> -35T: Silver enamel (complete trim) -37T: Dark bronze enamel (complete trim) -38T: Black enamel (complete trim) -94: Custom color; consult factory  <b>Other Trim Features</b> -32: White trim extender, specify OD -45: Gasket between trim & ceiling -46: Gasket between trim & lens -85: With 2 x 2 white (aluminum) pre-cut lay-in ceiling pan	(Blank): None  -99: Special modification; consult factory -FS: Fused primary; One per fixture; N/A for option -EI -NAT: Modified for natatorium use

## Performance Factors

NOMINAL LUMENS	LUMEN FACTOR	NOMINAL WATTS	LPW FACTOR
-16000L	1.00	214.8	1.00
-10000L	0.634	124.8	1.09

## Dimensions

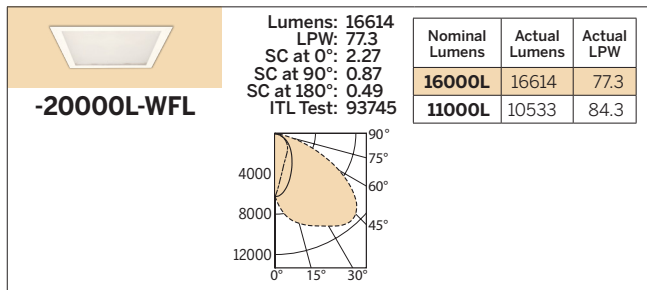


**Ceiling Cut-out**  
19 3/8" Sq.

\* See notes on page 1 for additional info on Lumen Factors

## Photometry - Installed Complete Fixture

LM-79 IESNA Certified Photometry from Independent Lab



LED manufacturers maintain a tolerance of +/-7% on flux (lumens) and power (electrical) measurements.

▲ **Cone of Light Key**      **Dist.** Distance (Ft.) from fixture  
 Dia. (in ft.) shown is where **FC** Footcandles at nadir (0°)  
 value is half the FC at nadir.      **Dia.** Circle of light at 50% of FC

LIMITED WARRANTY: KIRLIN LIGHTING FIXTURES ARE WARRANTED FREE OF DEFECTS IN WORKMANSHIP OR MATERIAL FOR FIVE YEARS FROM DATE OF PURCHASE. INSTALLED TO N.E.C. / IN-NORMAL USE. Manufacturer at his option will replace or repair such fixture or refund the purchase price on presentation of proof of purchase and defective fixture at the offices of manufacturer within the warranty period. Liability of manufacturer is limited to the foregoing and manufacturer shall not be liable for any other damages, direct or indirect, sustained or suffered by purchaser or any person. This warranty is applied to the buyer in place of all other warranties, expressed or implied. Seller does not warrant as to merchantability or fitness for a particular use, nor will any oral statement constitute a warranty. Abnormal use, abuse of the fixture, improper installation, or repair or modification of the fixture without prior written authorization from the manufacturer will render the warranty void.