

CATALOG #	TYPE
JOB NAME	VOLTAGE

LRS-08525-2500L

Classic "K" Lens Downlight • 8" • LED

Up to 60,000 Hour Life • Wet Location
10% Dimming • 4 CCT • 3-Step Binning
LM-80 Qualified • LM-79 Certified



Specifications

Delivered System Performance*

- Lumen Series: **MUST SPECIFY**
- 2500L: 2500 nominal lumens (35W).
- Distribution: WFL standard.
- Color temperature: 3500°K standard. Optional: -27K, -30K, -41K or -50K.
- CRI: 80+ standard. Optional: -HC (90+).
- 60,000 hour life (L70).
- Fully sustainable: removable for servicing.

Thermal Protection: SPECIFY VOLTAGE

- Thermal protector for insulation detection per UL/NEC. Must specify input voltage.

Thermal Management System

- All aluminum heat sink, components and housing maximize cool operation and long life while minimizing maintenance.

LED Power Supply

- Suitable for outdoor / indoor use: -30°C (-22°F) to 60°C (140°F) standard.
- 120-277V / 50-60Hz standard. Load insensitive.
- 0-10V CCR dimming standard. (100-10%)**

Trim Assembly

- Shock-resisting, UV absorbing prismatic convex widespread frosted Kirlin lens. See Options for others.
- Rustfree polished nickel stainless door (304-L) and captive thumb screw. Concealed hinges for fast relamping.
- Attractively beveled cast aluminum frame tooled to ensure close fit with door. White acrylic finish.

Acrylic Enameled Aluminum Housing

- Rustproof and corrosion resistant: Exceeds 1000 hour ASTM 5% salt spray test.
- Shallow depth fits restricted plenums.
- Cool operation: Extends life of all components.
- Entire luminaire, including LED light engine, is modular, easily visible and serviced through aperture.
- Built-in plaster flange.

Outlet Box

- UL listed J-box with insulated removable

cover. Prewired 14 GA (NEC) with ½" and ¾" knockouts.

Installation

- Recess indoor or outdoor.
- Compatible with fire rated enclosures (by others).
- 27" galvanized hanger bars with adjustable mounting brackets (2) supplied.

UL, C-UL (Canada) Listings

- Wet, damp or dry locations, covered ceilings.
- Through-branch conductors (4 #12 AWG 90°C).

IEC & FCC Compliance

- Meets IEC/EN 60601-1-2 electromagnetic compatibility standard for medical electrical equipment.
- FCC Part 15 certified for EMI/RFI emissions.



FIVE YEAR Limited Warranty

- Complete standard fixture.

MUST SPECIFY		OPTIONAL	Ordering Example: LRS-08525-2500L-120-30K-46
Product Number	Voltage	Options	
LRS-08525-2500L	-120 (120 volts) -277 (277 volts) -97 (Specify other)	See "Options" below	

Options

Input Power: SPECIFY

- 120 120V (50-60Hz) input for thermal protector.
- 277 277V (50-60Hz) input for thermal protector.
- 97 Specify other voltage. Consult factory.

LED Power Supply

- D1 0-10V 100-1.0% dimming instead.
- D2 0-10V 100-0.1% dimming instead.
- D3 DALI 100-1.0% dimming instead.
- D4 DALI 100-0.1% dimming instead.
- D5 DMX512A 0% dimming instead.
- D40 -40°C driver with 0-10V 10% dimming instead.
- ECO Digital driver for Lutron EcoSystem controls. Dims to 1% or consult factory.
- EM INTERNAL emergency battery pack. Delivers 500 lumens. Run time: 90+ minutes.

-ERH REMOTE emergency battery pack. Delivers 1000 lumens. Run time: 90+ minutes. CEC Compliant.

Color Temperature (CCT)

- 27K Color temperature 2700°K instead.
- 30K Color temperature 3000°K instead.
- 41K Color temperature 4100°K instead.
- 50K Color temperature 5000°K instead.
- HC 90+ CRI instead. Consult factory.

Lens and Trim

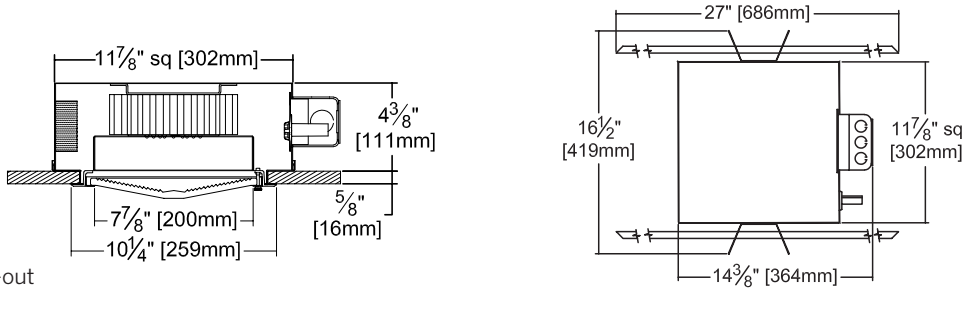
- 13 Vandal resistant tempered prismatic spread lens above 1/8" flat polycarbonate. Also see Option -26.
- 17 .187" prismatic high strength acrylic lens. Also see Option -26.
- 23 Frosted micropismatic lens instead.
- 26 Tamper-resistant button head recessed hex screw with center pin and 1 key / 10 fixtures.

- 32 White oversize trim ring. Specify O.D.
- 35F Silver (natural aluminum) acrylic enameled frame (only).
- 37F Dark bronze acrylic enameled frame (only).
- 38F Black acrylic enameled frame (only).
- 45 Gasket between trim flange and ceiling.
- 46 Gasket between trim and lens.
- 94 Custom color/finish. Specify. Consult factory.
- WA White acrylic (flat) diffuser instead; will produce wide flood distribution.

Other

- 99 Special modification. Consult factory.
- FS Single in-line fuse.
- RH Residential mounting hardware instead. Suitable for wood joist ceilings with spacing from 14½" to 25½" with ½" vertical adjustability.
- SH Sealed housing and junction box. Note: housing depth increases to 5-5/8".

Dimensions



Ceiling Cut-out
9 1/4" Sq.

Detailed Photometry - Installed Fixture

Photometric testing done in accordance with IESNA LM-79

Photometry from I.T.L., Boulder, CO

-2500L STANDARD (WFL)

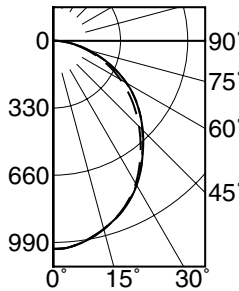
Lumens: 2693
Beam: ~61°
SC: 1.2
LPW: 76
Efficiency: 72.5%
ITL Test: 87518



Total System Watts 35.4

Cone of Light ▲

Dist.	FC	Dia.
6	28.4	7.1
8	16.0	9.5
10	10.2	11.9
12	7.1	14.3
14	5.2	16.6
16	4.0	19.0



	CANDLEPOWER DISTRIBUTION				
	0.0	22.5	45.0	67.5	90.0
0	1022	1022	1022	1022	1022
5	1014	1014	1014	1015	1015
15	958	957	956	957	958
25	873	874	868	870	874
35	752	748	739	740	754
45	618	609	595	604	621
55	488	476	453	471	488
65	336	326	309	325	339
75	182	174	168	174	181
85	54	52	51	52	55
90	15	14	14	14	15

LM-80 Qualified • LM-79 Certified Photometry

* LED manufacturers maintain a tolerance of ±7% on flux (lumens) and power (electrical) measurements. Kirlin photometrics are actual test data from Independent Testing Laboratories (ITL) where photometry was measured from 3717 lumen (-2500L) light engines (within the established tolerance).

▲ Cone of Light Key
Dia. (in ft.) shown is where FC value is half the FC at nadir.

Dist. Distance (Ft.) from fixture
FC Footcandles at nadir (0°)
Dia. Circle of light at 50% of FC

SUBMITTAL DATA

JOB NAME
TYPE
WATTAGE
VOLTAGE
CATALOG NUMBER

APPROVAL STAMP



LIMITED WARRANTY: CATALOGED KIRLIN FIXTURES ARE WARRANTED FREE OF DEFECTS IN WORKMANSHIP OR MATERIAL FOR FIVE YEARS FROM DATE OF PURCHASE. INSTALLATION TO N.E.C. IN NORMAL USE. Manufacturer at the option will replace or repair such fixture or refund the purchase price on presentation of proof of purchase and defective fixture at the offices of manufacturer within five years of original shipment. Liability of manufacturer is limited to the foregoing, and manufacturer shall not be liable for any other damages, direct or indirect, sustained or suffered by purchaser or any person. This warranty is applied to the buyer in place of all other warranties, expressed or implied. Seller does not warrant as to merchantability or fitness for a particular use, nor will any oral statement constitute a warranty or amend this specific warranty. Abnormal use, abuse of the fixture, improper installation, or repair or modification of the fixture without prior written authorization from the manufacturer will render the warranty void.