

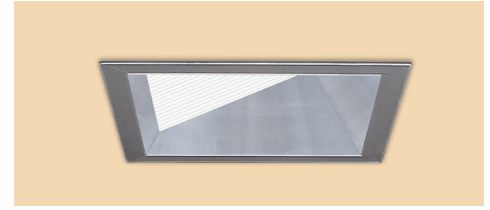
CATALOG #	TYPE	
JOB NAME	WATTAGE	VOLTAGE

Latitudes Series

Lensed Wall Wash 6" Square • LED

Up to 60,000 Hour Life • Wet Listed
LM-79 Certified • LM-80 Qualified

LRS-06520



Specifications

Delivered System Performance

- Nominal Lumens: **Must Specify**

Non-IC
-6500L
-5000L
-3500L
-2500L

- Select trim & beam distribution: see chart
- Select color (CCT): see chart; 80+ CRI standard; Option -HC for 90+ (15% lumen loss)
- 60,000 hour life (L70**)
- Center beam optics positioned at 20°

Thermal Protection: SPECIFY VOLTAGE

- Thermal protector for insulation detection per UL/NEC Must specify input voltage

Thermal Management System

- Aluminum heat sink and components for cool operation, long life, and low maintenance

LED Driver - INTERNAL

- Indoor/Outdoor: -30°C to 60°C (-22°F to 140°F)
- 0-10V CCR 10% dimming standard
- 120-277V / 50-60 Hz standard; load insensitive

Trim Assembly

- Specular clear aluminum self-flanged angle cut square cone with tempered glass lens above

Acrylic Enameled Aluminum Housing

- Rustproof and corrosion resistant: exceeds 1000 hour ASTM 5% salt spray test
- Shallow depth fits restricted plenums
- Cool operation extends component life
- Modular design; visible and fully serviceable through aperture
- Built-in plaster flange

Outlet Box (Galvanized)

- UL Listed, 14GA, insulated, removable cover
- ½" and ¾" knockouts

Installation & Hardware

- Indoor/outdoor in ceilings up to 1¼" thick
- Compatible with fire rated enclosures (by others)
- 27" hanger bars & adjusting brackets (2) supplied

UL, C-UL (Canada) Compliance

- UL Listed: wet, damp or dry locations, covered ceilings
- Through-branch conductors (4 #12 AWG 90°C)

IEC & FCC Compliance

- Meets IEC/EN 60601-1-2 electromagnetic compatibility standard for medical electrical equipment
- FCC Part 15 certified for EMI/RFI emissions

FIVE YEAR Limited Warranty

- Complete standard fixture



Options and Ordering Configuration

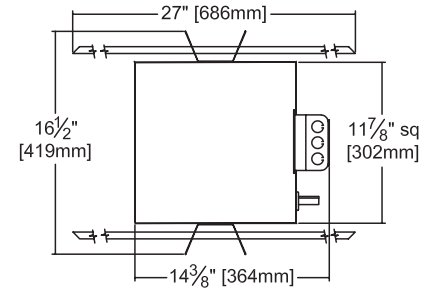
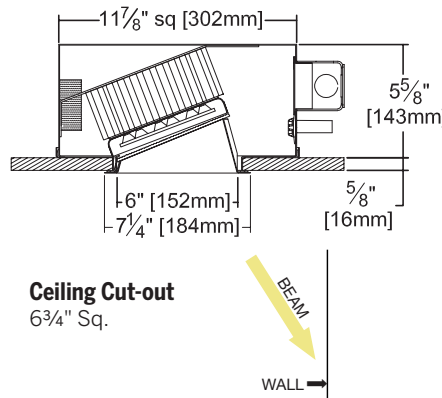
(Example: LRS-06520-5000L-120-30K-37F-SH)

Must Specify				Optional			
Model	Lumens	Volts	CCT† & CRI	Driver Options	Emergency Options	Trim Options	Other Options
LRS-06520							
	-6500L -5000L -3500L -2500L	-120 -277 -97†: Other Voltage	(Blank): 3500°K, 80+ CRI 80+ CRI* -27K: 2700°K -30K: 3000°K -35K: 3500°K -41K: 4100°K -50K: 5000°K *Note: Lumen Factor = 0.93 for -27K 90+ CRI** -27K-HC: 2700°K -30K-HC: 3000°K -35K-HC: 3500°K -41K-HC: 4100°K -50K-HC: 5000°K **Note: Lumen Factor = 0.79 for -27K-HC; All Others = 0.85; consult factory	(Blank): Standard 0-10V CCR 10% dim -D1: 0-10V 1.0% dim -D2: 0-10V 0.1% dim -D3: DALI 1.0% dim -D4: DALI 100-0.1% dim -D5: DMX512A 0% dimming instead. Consult factory for -6500L lumen series -D40: -40°C (-40°F) driver; 0-10V 10% dim; -3500L or -2500L only -ECO: Digital driver for Lutron EcoSystem controls. Dims to 1% or consult factory -3500L max	(Blank): None -EI: Remote emergency inverter for 40% of rated lumens for -6500 L, 50% for -5000L and -3500L. Not available for -2500L. Run time: 90+ minutes. 120 or 277V, 60 Hz input only. Specify voltage. Not for use with -FS. -EM: Internal emergency battery pack. Delivers 500 lumens. RUn time 90+ minutes. CEC compliant; N/A with -6500L -ERH: Remote emergency battery pack; Delivers 1000 lumens; CEC Compliant; Run time: 90+ minutes	(Blank): Standard clear aluminum self-flanged angle-cut cone with lens above Trim Finishes -30: All white acrylic enameled cone flange -31: White acrylic enameled cone flange -37F: Dark bronze enamel flange -38F: Black enamel flange -70: SofTex™ clear self-flanged cone -94: Custom color; consult factory Other Trim Features -32: White trim extender, specify OD -45: Gasket between trim & ceiling	(Blank): None Mounting -RH: Joist mounting hardware instead Other Options -99: Special modification; consult factory -FS: Fused primary; One per fixture; N/A for option -EI -SH: Sealed housing and junction box

Performance Factors

NOMINAL LUMENS	LUMEN FACTOR	NOMINAL WATTS	LPW FACTOR
-6500L	1.00	73.3	1.00
-5000L	0.84	59.3	1.04
-3500L	0.67	44.4	1.11
-2500L	0.49	36.7	0.98

Dimensions

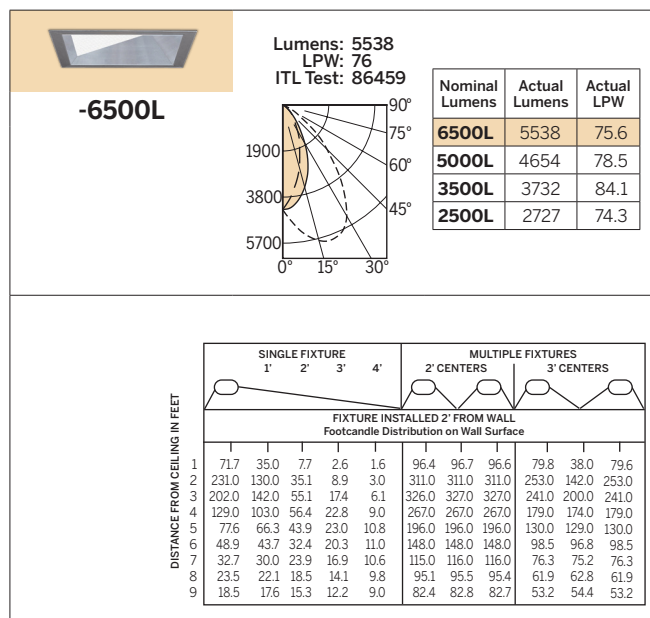


Ceiling Cut-out
6 3/4" Sq.

* See notes on page 1 for additional info on Lumen Factors

Photometry - Installed Complete Fixture

LM-79 IESNA Certified Photometry from Independent Lab



LED manufacturers maintain a tolerance of +/-7% on flux (lumens) and power (electrical) measurements.

▲ Cone of Light Key Dist. Distance (Ft.) from fixture
Dia. (in ft.) shown is where FC FC Footcandles at nadir (0°)
value is half the FC at nadir. Dia. Circle of light at 50% of FC