

CATALOG #	TYPE	
JOB NAME	WATTAGE	VOLTAGE

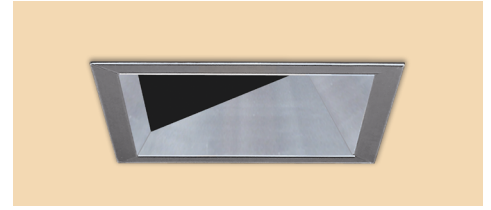
Latitudes Series

Open Appearance 6" Adjustable • LED

Up to 60,000 Hour Rated Life • Wet Listed

LM-79 Certified • LM-80 Qualified

LRS-06510



Specifications

Delivered System Performance

- Nominal Lumens: **Must Specify**

Non-IC
-6500L
-5000L
-3500L
-2500L

- Select trim & beam distribution: see chart
- Select color (CCT): see chart; 80+ CRI standard; Option -HC for 90+ (15% lumen loss)
- 60,000 Hour Rated Life (L70)

Center Beam Optics

- Tilts up to 35° and locks in place
- Rotates full 365° and locks in place
- Accommodates sloped ceilings up to 35°

Thermal Protection: SPECIFY VOLTAGE

- Thermal protector for insulation detection per UL/NEC Must specify input voltage

Thermal Management System

- Aluminum heat sink and components for cool operation, long life, and low maintenance

LED Driver - INTERNAL

- Indoor/Outdoor: -30°C to 60°C (-22°F to 140°F)
- 0-10V CCR 10% dimming standard
- 120-277V / 50-60 Hz standard; load insensitive

Trim Assembly

- Specular clear aluminum self-flanged angle cut cone with tempered glass lens above

Acrylic Enameled Aluminum Housing

- Rustproof and corrosion resistant: exceeds 1000 hour ASTM 5% salt spray test
- Shallow depth fits restricted plenums
- Cool operation extends component life
- Modular design; visible and fully serviceable through aperture
- Built-in plaster flange

Outlet Box (Galvanized)

- UL Listed, 14GA, insulated, removable cover
- ½" and ¾" knockouts

Installation & Hardware

- Indoor/outdoor in ceilings up to 1¼" thick
- Compatible with fire rated enclosures (by others)
- 27" hanger bars & adjusting brackets (2) supplied

UL, C-UL (Canada) Compliance

- UL Listed: wet, damp or dry locations, covered ceilings
- Through-branch conductors (4 #12 AWG 90°C)

IEC & FCC Compliance

- Meets IEC/EN 60601-1-2 electromagnetic compatibility standard for medical electrical equipment
- FCC Part 15 certified for EMI/RFI emissions

FIVE YEAR Limited Warranty

- Complete standard fixture



Options and Ordering Configuration

(Example: LRS-06510-5000L-120-NFL-30K-37F-SH)

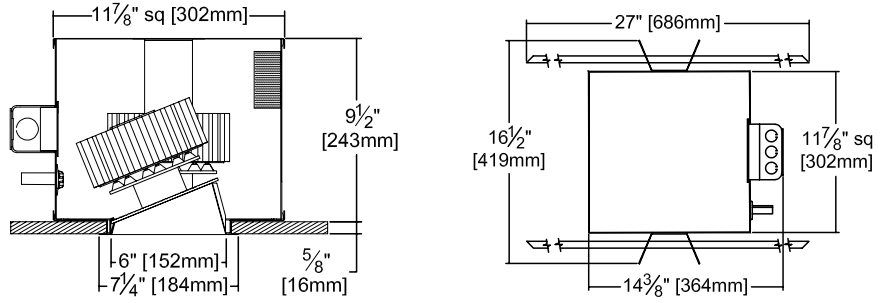
Must Specify					Optional			
Model	Lumens	Volts	Beam	CCT [†] & CRI	Driver Options	Emergency Options	Trim Options	Other Options
LRS-06510								
	-6500L -5000L -3500L -2500L	-120 -277 -97 [†] : Other Voltage	(Blank): NFL -SPT -NFL -MFL	(Blank): 3500°K, 80+ CRI 80+ CRI* -27K: 2700°K -30K: 3000°K -35K: 3500°K -41K: 4000°K -50K: 5000°K *Note: Lumen Factor = 0.93 for -27K	(Blank): Standard 0-10V CCR 10% dim -D1: 0-10V 1.0% dim -D2: 0-10V 0.1% dim -D3: DALI 1.0% dim -D4: DALI 100-0.1% dim -D5: DMX512A 0% dimming instead. Consult factory for -6500L lumen series -D40: -40°C (-40°F) driver; 0-10V 10% dim; -3500L or -2500L only -ECO: Digital driver for Lutron EcoSystem controls. Dims to 1% or consult factory -3500L max	(Blank): None -EI: Remote emergency inverter for 40% of rated lumens for -6500 L, 50% for -5000L and -3500L. Not available for -2500L. Run time: 90+ minutes. 120 or 277V, 60 Hz input only. Specify voltage. Not for use with -FS. -EM: Internal emergency battery pack. Delivers 500 lumens. Run time 90+ minutes. CEC compliant. -ERH: Remote emergency battery pack; Delivers 1000 lumens; CEC Compliant; Run time: 90+ minutes	(Blank): Standard clear aluminum self-flanged angle-cut cone with lens above Trim Finishes -30: All white acrylic enameled cone flange -31: White acrylic enameled cone flange -37F: Dark bronze enamel flange -38F: Black enamel flange -94: Custom color; consult factory Other Trim Features -32: White trim extender, specify OD -45: Gasket between trim & ceiling	(Blank): None Mounting -RH: Joist mounting hardware instead Other Options -99: Special modification; consult factory -AWN: Athena Wireless Node; N/A for Dimming Options -D5, -D40, -ECO -FS: Fused primary; One per fixture; N/A for option -EI -SH: Sealed housing and junction box *Note: For other integrated control solutions, such as nLight, contact factory

†Consult factory

Performance Factors

NOMINAL LUMENS	LUMEN FACTOR	NOMINAL WATTS	LPW FACTOR
-6500L	1.00	73.2	1.00
-5000L	0.86	59.0	1.07
-3500L	0.66	44.9	1.08
-2500L	0.52	36.5	1.03

Dimensions

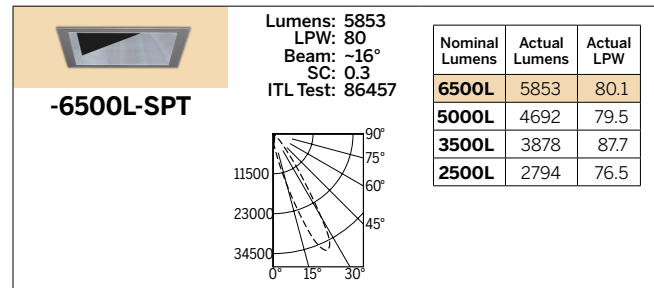
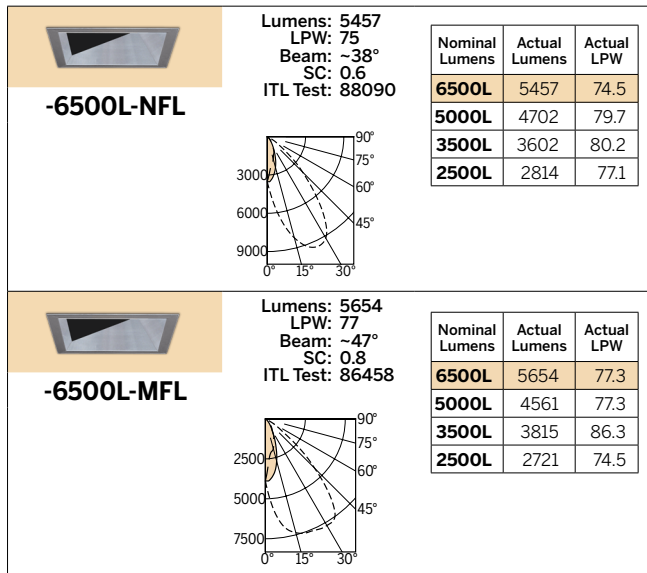


Ceiling Cut-out
6 3/4" Sq.

* See notes on page 1 for additional info on Lumen Factors

Photometry - Installed Complete Fixture

LM-79 IESNA Certified Photometry from Independent Lab



LED manufacturers maintain a tolerance of +/-7% on flux (lumens) and power (electrical) measurements.

▲ **Cone of Light Key** **Dist.** Distance (Ft.) from fixture
 Dia. (in ft.) shown is where FC **FC** Footcandles at nadir (0°)
 value is half the FC at nadir. **Dia.** Circle of light at 50% of FC