

CATALOG #	TYPE	
JOB NAME	WATTAGE	VOLTAGE

Latitudes Series

Lensed 6" Downlight • White Trim • LED

Up to 60,000 Hour Rated Life • Wet Listed

LM-79 Certified • LM-80 Qualified

LRS-06507



Specifications

Delivered System Performance

- Nominal Lumens: **Must Specify**

Non-IC -2500L

- Select trim & beam distribution: see chart
- Select color (CCT): see chart; 80+ CRI standard; Option -HC for 90+ (15% lumen loss)
- 60,000 Hour Rated Life (L70)

Thermal Protection: SPECIFY VOLTAGE

- Thermal protector for insulation detection per UL/NEC Must specify input voltage

Thermal Management System

- Aluminum heat sink and components for cool operation, long life, and low maintenance

LED Driver - INTERNAL

- Indoor/Outdoor: -30°C to 60°C (-22°F to 140°F)
- 0-10V CCR 10% dimming standard
- 120-277V / 50-60 Hz standard; load insensitive

Trim Assembly

- Tapered aluminum all white smooth self-flanged trim (field paintable)
- Regressed tempered prismatic spread lens

Acrylic Enameled Aluminum Housing

- Rustproof and corrosion resistant: exceeds 1000 hour ASTM 5% salt spray test
- Shallow depth fits restricted plenums
- Cool operation extends component life
- Modular design; visible and fully serviceable through aperture
- Built-in plaster flange

Outlet Box (Galvanized)

- UL Listed, 14GA, insulated, removable cover
- 1/2" and 3/4" knockouts

Installation & Hardware

- Indoor/outdoor in ceilings up to 1/4" thick or see option -79
- Compatible with fire rated enclosures (by others)
- 27" hanger bars & adjusting brackets (2) supplied

UL, C-UL (Canada) Compliance

- UL Listed: wet, damp or dry locations, covered ceilings
- Through-branch conductors (4 #12 AWG 90°C)

IEC & FCC Compliance

- Meets IEC/EN 60601-1-2 electromagnetic compatibility standard for medical electrical equipment
- FCC Part 15 certified for EMI/RFI emissions

FIVE YEAR Limited Warranty

- Complete standard fixture

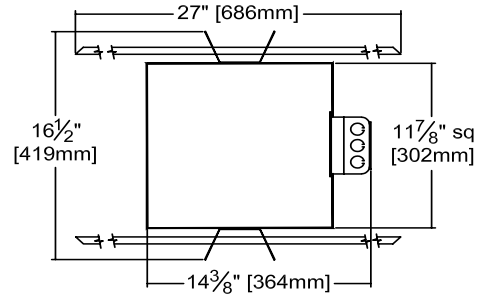
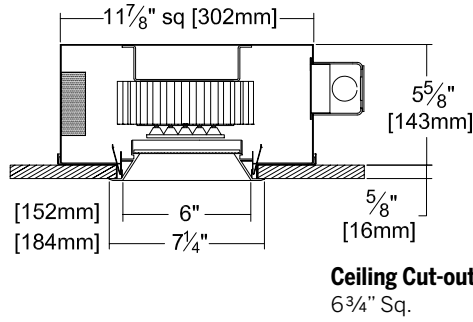


Options and Ordering Configuration

(Example: LRS-06507-2500L-277-MFL-41K-37F-RH-FS)

Must Specify				Optional			
Model	Lumens	Volts	CCT† & CRI	Driver Options	Emergency Options	Trim Options	Other Options
LRS-06507	-2500L	-120 -277 -97†: Other Voltage	(Blank): 3500°K, 80+ CRI 80+ CRI* -27K: 2700°K -30K: 3000°K -35K: 3500°K -41K: 4000°K -50K: 5000°K *Note: Lumen Factor = 0.93 for -27K 90+ CRI** -27K-HC: 2700°K -30K-HC: 3000°K -35K-HC: 3500°K -41K-HC: 4000°K -50K-HC: 5000°K **Note: Lumen Factor = 0.79 for -27K-HC; All Others = 0.85; consult factory	(Blank): Standard 0-10V CCR 10% dim -D1†: 0-10V 1.0% dim -D2†: 0-10V 0.1% dim -D3†: DALI 1.0% dim -D4†: DALI 100-0.1% dim -D5†: DMX512A 0% dimming instead -D40: -40°C (-40°F) driver; 0-10V 10% dim -ECO: Digital driver for Lutron EcoSystem controls. Dims to 1% or consult factory	(Blank): None -ERH: Remote emergency battery pack; Delivers 1000 lumens; CEC Compliant; Run time: 90+ minutes	(Blank): Standard all-white smoothself-flanged downlight square with lens above Trim Finishes -35T: Silver (natural aluminum) acrylic enameled trim -37T: Dark bronze enamel trim -38T: Black enamel trim -94: Custom color; consult factory Other Trim Features -13: Clear poly lens below lens. Photometric distribution unaffected -23: Frosted microprismatic lens -32: White trim extender, specify OD -45: Gasket between trim & ceiling -46: Gasket between trim & lens -CF: Custom color filter (Rosco). Specify -DF: Electrically isolated "dead front" gasketed trim -WA: White acrylic (flat) diffuser provides wide flood distribution	(Blank): None Mounting -79: Extension collar for ceilings up to 2" thick -RH: Joist mounting hardware instead Other Options -99: Special modification; consult factory -AWN: Athena Wireless Node; N/A for Dimming Options -D5, -D40, -ECO -FS: Fused primary; One per fixture -SH: Sealed housing and junction box *Note: For other integrated control solutions, such as nLight, contact factory

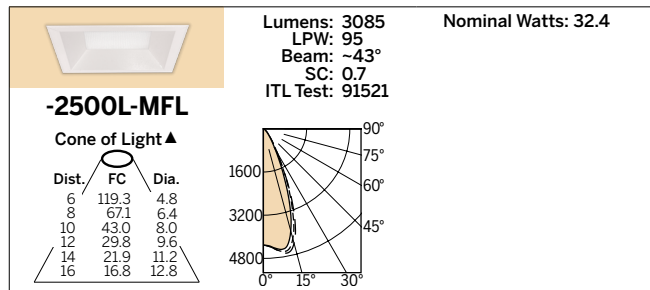
Dimensions



* See notes on page 1 for additional info on Lumen Factors

Photometry - Installed Complete Fixture

LM-79 IESNA Certified Photometry from Independent Lab



LED manufacturers maintain a tolerance of +/-7% on flux (lumens) and power (electrical) measurements.

▲ **Cone of Light Key**
 Dia. (in ft.) shown is where FC value is half the FC at nadir.
Dist. Distance (Ft.) from fixture
FC Footcandles at nadir (0°)
Dia. Circle of light at 50% of FC

LIMITED WARRANTY: CATALOGED KIRLIN FIXTURES ARE WARRANTED FREE OF DEFECTS IN WORKMANSHIP OR MATERIAL FOR FIVE YEARS FROM DATE OF PURCHASE. INSTALLED TO N.E.C. / IN-NORMAL USE. Manufacturer at the option will replace or repair such fixture or refund the purchase price on presentation of proof of purchase and defective fixture at the offices of manufacturer within the years of original shipment. Liability of manufacturer is limited to the foregoing and manufacturer shall not be liable for any other damages, direct or indirect, sustained or suffered by purchaser or any person. This warranty is applied to the buyer in place of all other warranties, expressed or implied. Seller does not warrant as to merchantability or fitness for a particular use, nor will any oral statement constitute a warranty or amend this specific warranty. Abnormal use, abuse of the fixture, improper installation, or repair or modification of the fixture without prior written authorization from the manufacturer will render the warranty void.