

CATALOG #	TYPE
JOB NAME	VOLTAGE

LRS-04508-2500L

Open Appearance 4" Adjustable • LED

Up to 60,000 Hour Life • Wet Location
10% Dimming • 3 Distributions • 4 CCT • 3-Step Binning
LM-80 Qualified • LM-79 Certified



Specifications

Delivered System Performance*

- Lumen Series: **MUST SPECIFY**
-2500L: 2500 nominal lumens (35W).
- Distribution: NFL standard.
Optional: -SPT or -MFL.
- Color temperature: 3500°K standard.
Optional: -27K, -30K, -41K or -50K.
- CRI: 80+ standard. Optional: -HC (90+).
- 60,000 hour life (L70).
- Fully sustainable: removable for servicing.

Center Beam Optics

- Tilts up to 35° and locks in place.
- Rotates full 360° and locks in place.
- Accommodates sloped ceilings up to 35°.

Thermal Protection: SPECIFY VOLTAGE

- Thermal protector for insulation detection per UL/NEC. Must specify input voltage.

Thermal Management System

- All aluminum heat sink, components and housing maximize cool operation and long life while minimizing maintenance.

LED Power Supply - INTERNAL

- Suitable for outdoor / indoor use:
-30°C (-22°F) to 60°C (140°F) standard.
- 120-277V / 50-60Hz standard. Load insensitive.
- 0-10V CCR dimming standard. (100-10%)**

Trim

- Specular clear aluminum self-flanged angle cut cone with tempered glass lens above.

Acrylic Enameled Aluminum Housing

- Rustproof and corrosion resistant: Exceeds 1000 hour ASTM 5% salt spray test.
- Shallow depth fits restricted plenums.
- Cool operation: Extends life of all components.
- Entire luminaire, including LED light engine, is modular, easily visible and serviced through aperture.
- Built-in plaster flange.

Outlet Box

- UL listed J-box with insulated removable cover. Prewired 14 GA (NEC) with ½" and ¾" knockouts.

Installation

- Recess indoor or outdoor.
- Accommodates ceilings up to 1¼" thick.
- Compatible with fire rated enclosures (by others).
- 27" galvanized hanger bars with adjustable mounting brackets (2) supplied.

UL, C-UL (Canada) Listings

- Wet, damp or dry locations, covered ceilings.
- Through-branch conductors (4 #12 AWG 90°C).

IEC & FCC Compliance

- Meets IEC/EN 60601-1-2 electromagnetic compatibility standard for medical electrical equipment.
- FCC Part 15 certified for EMI/RFI emissions.



**FIVE YEAR
Limited Warranty**

- Complete standard fixture.

MUST SPECIFY		OPTIONAL	Ordering Example: LRS-04508-2500L-120-30K-MFL
Product Number	Voltage	Options	
LRS-04508-2500L	-120 (120 volts) -277 (277 volts) -97 (Specify other)	See "Options" below	

Options

Input Power: SPECIFY

- 120 120V (50-60Hz) input for thermal protector.
- 277 277V (50-60Hz) input for thermal protector.
- 97 Specify other voltage. Consult factory.

LED Power Supply

- D1 0-10V 100-1.0% dimming instead.
- D2 0-10V 100-0.1% dimming instead.
- D3 DALI 100-1.0% dimming instead.
- D4 DALI 100-0.1% dimming instead.
- D40 -40°C driver with 0-10V 10% dimming instead.
- ECO Digital driver for Lutron EcoSystem controls. Dims to 1% or consult factory.

- EM INTERNAL emergency battery pack. Delivers 500 lumens. Run time: 90+ minutes.
- ERH REMOTE emergency battery pack. Delivers 1000 lumens. Run time: 90+ minutes. CEC Compliant.

Color Temperature (CCT)

- 27K Color temperature 2700°K instead.
- 30K Color temperature 3000°K instead.
- 41K Color temperature 4100°K instead.
- 50K Color temperature 5000°K instead.
- HC 90+ CRI instead. 2700°K or 3000°K only.

Optics

- MFL Medium flood distribution.
- SPT Spot distribution.

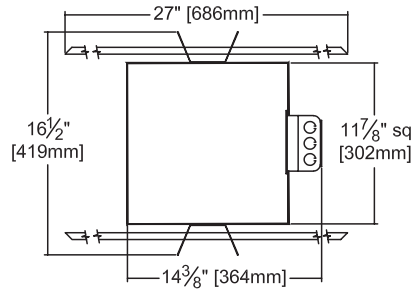
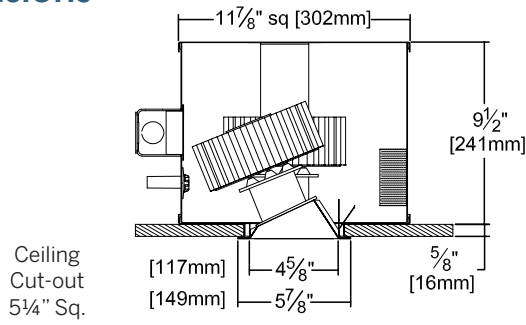
Trims

- 30 All white acrylic enameled cone.
- 31 White acrylic enameled cone flange.
- 32 White oversize trim ring. Specify O.D.
- 33 Decorative Glow Ring suspended trim assembly. Consult factory.
- 45 Gasket between trim flange and ceiling.
- 70 SofTex™ clear self-flanged cone.
- 94 Custom color/finish. Specify. Consult factory.

Other

- 79 Extension collar for ceilings up to 2" thick.
- 99 Special modification. Consult factory.
- FS Single in-line fuse.
- RH Residential mounting hardware instead. Suitable for wood joist ceilings with spacing from 14⅝" to 25⅞" with ⅝" vertical adjustability.
- SH Sealed housing and junction box.

Dimensions



Detailed Photometry - Installed Fixture

Photometric testing done in accordance with IESNA LM-79

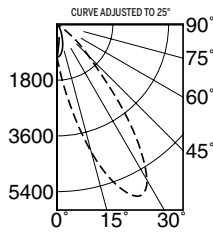
Photometry from I.T.L., Boulder, CO

-2500L STANDARD (NFL)

Lumens: 2061
Beam: -29°
SC: 0.6
LPW: 59
Efficiency: 55.4%
ITL Test: 88092



Total System Watts 35.1



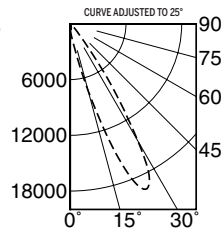
	CANDLEPOWER DISTRIBUTION				
	0.0	45.0	90.0	135.0	180.0
0	1049	1049	1049	1049	1049
5	1763	1495	1012	721	630
15	4261	2280	696	304	203
25	6121	2173	336	104	64
35	4436	1301	145	32	20
45	1427	472	35	9	5
55	284	101	5	2	1
65	22	5	2	1	0
75	3	1	0	0	0
85	0	0	0	0	0
90	0	0	0	0	0

-2500L Option -SPT

Lumens: 2235
Beam: -16°
SC: 0.3
LPW: 64
Efficiency: 60.1%
ITL Test: 87506



Total System Watts 35.0



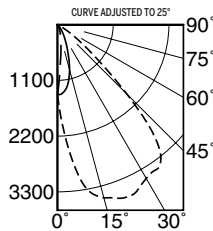
	CANDLEPOWER DISTRIBUTION				
	0.0	45.0	90.0	135.0	180.0
0	593	593	593	593	593
5	1172	931	586	374	312
15	7473	1702	414	140	82
25	19572	1477	168	45	48
35	6027	572	64	20	21
45	608	174	18	3	5
55	84	34	1	0	0
65	6	1	0	0	0
75	1	0	0	0	0
85	0	0	0	0	0
90	0	0	0	0	0

-2500L Option -MFL

Lumens: 2209
Beam: -43°
SC: 0.8
LPW: 63
Efficiency: 59.4%
ITL Test: 87507



Total System Watts 35.0



	CANDLEPOWER DISTRIBUTION				
	0.0	45.0	90.0	135.0	180.0
0	1387	1387	1387	1387	1387
5	2436	2085	1340	841	698
15	3537	3307	920	320	236
25	2654	2804	397	133	83
35	3462	1454	149	56	29
45	1936	469	49	21	9
55	407	118	14	4	0
65	59	24	3	1	0
75	5	1	0	0	0
85	0	0	0	0	0
90	0	0	0	0	0

LM-80 Qualified • LM-79 Certified Photometry

* LED manufacturers maintain a tolerance of ±7% on flux (lumens) and power (electrical) measurements. Kirlin photometrics are actual test data from Independent Testing Laboratories (ITL) where photometry was measured from 3717 lumen (-2500L) light engines (within the established tolerance).

SUBMITTAL DATA

APPROVAL STAMP

JOB NAME _____
TYPE _____
WATTAGE _____ VOLTAGE _____
CATALOG NUMBER _____



LIMITED WARRANTY: CATALOGED KIRLIN FIXTURES ARE WARRANTED FREE OF DEFECTS IN WORKMANSHIP OR MATERIAL FOR FIVE YEARS FROM DATE OF PURCHASE. INSTALLATION TO N.E.C. IN NORMAL USE. Manufacturer at the option will replace or repair such fixture or refund the purchase price on presentation of proof of purchase and defective fixture at the offices of manufacturer within five years of original shipment. Liability of manufacturer is limited to the original manufacturer and manufacturer shall not be liable for any other damages, direct or indirect, sustained or suffered by purchaser or any person. This warranty is supplied to the buyer in place of all other warranties, expressed or implied. Seller does not warrant as to merchantability or fitness for a particular use, nor will any oral statement constitute a warranty or amend this specific warranty. Abuse of the fixture, improper installation, or repair or modification of the fixture without prior written authorization from the manufacturer will render the warranty void.