

CATALOG #	TYPE	
JOB NAME	WATTAGE	VOLTAGE

# Latitudes Series

Lensed 4 Square" Wall Wash • LED • Type IC

LM-79 Certified • LM-80 Qualified

# LRS-04172



## Specifications

### Delivered System Performance

- Nominal Lumens: **Must Specify**

**Type-IC**

-2000L

-1500L

-1100L

- Color temperature: 3500°K standard  
-Optional: -30K; CRI 80+
- 50,000 Hour Rated Life (L70\*\*)
- Center beam optics positioned at 30°

### Thermal Management System

- Aluminum heat sink and components for cool operation, long life, and low maintenance

### LED Driver - INTERNAL

- Indoor/Outdoor: -30°C to 60°C (-22°F to 140°F)
- 0-10V linear dimming standard (100-1%)
- 120-277V / 50-60 Hz standard; load insensitive or see Option -97



### Trim Assembly

- White aluminum self-flanged angle cut cone with tempered prismatic glass lens above

### Acrylic Enameled Aluminum Housing

- Rustproof and corrosion resistant: exceeds 1000 hour ASTM 5% salt spray test
- Shallow depth fits restricted plenums
- Cool operation extends component life
- Modular design; visible and fully serviceable through aperture
- Built-in plaster flange

### Outlet Box (Galvanized)

- UL Listed, 14GA, insulated, removable cover
- 1/2" and 3/4" knockouts

### Installation & Hardware

- Indoor/outdoor in ceilings up to 1 1/8" thick
- Compatible with fire rated enclosures (by others)
- 27" hanger bars & adjusting brackets (2) supplied

### UL, C-UL (Canada) Listings

- UL Listed: wet, damp or dry locations, covered ceilings
- Type IC for direct contact with insulation
- Through-branch conductors (4 #12 AWG 90°C) for Type IC Listing

### IEC & FCC Compliance

- Meets IEC/EN 60601-1-2 electromagnetic compatibility standard for medical electrical equipment
- FCC Part 15 certified for EMI/RFI emissions

### FIVE YEAR Limited Warranty

- Complete standard fixture

## Options and Ordering Configuration

(Example: LRS-04172-2000L-120-30K-70-FS)

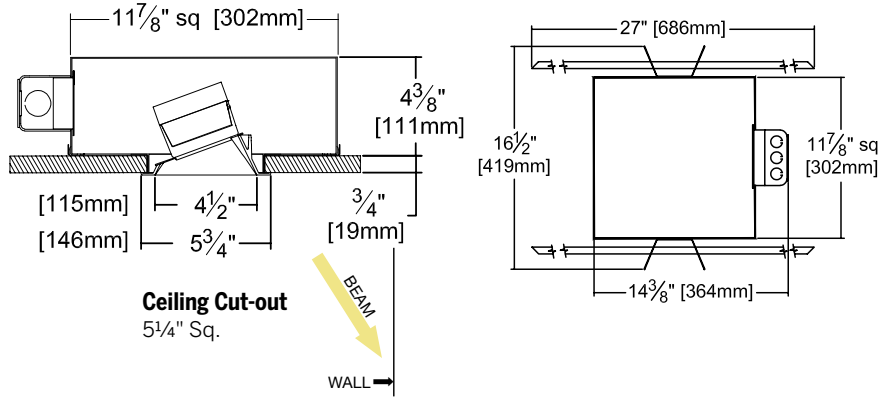


Must Specify				Optional		
Model	Lumens	Volts	CCT† & CRI	Emergency Options	Trim Options	Other Options
LRS-04172	-2000L -1500L -1100L	(Blank): 120-277  -120 -277 -97†: Other Voltage	(Blank): 3500K, 80+ CRI  -30K: 3000°K -35K: 3500°K	(Blank): None  -EI: Remote emergency inverter for 100% rated lumens; Run time: 90+ minutes; 120 or 277V, 60 Hz input only. Specify voltage. N/A for option -FS	(Blank): White aluminum self-flanged cone with tempered prismatic glass lens  <b>Trim Finishes</b> -31: White acrylic enameled flange. For use with optional trim finishes only -32: White trim extender, specify OD -35T: Silver acrylic enamel (complete trim) -35F: Silver acrylic enamel (flange only) -37T: Dark bronze enamel (complete trim) -37F: Dark bronze enamel (flange only) -38T: Black enamel (complete trim) -38F: Black enamel (flange only) -94: Custom color; consult factory  <b>Other Trim Features</b> -45: Gasket between trim & ceiling -CF: Custom color filter (Rosco); Specify	(Blank): None  <b>Mounting</b> -79: Extension collar for up to 2" thick ceiling -RH: Joist mounting hardware instead  <b>Other Options</b> -99: Special modification; consult factory -FS: Fused primary; One per fixture; N/A for option -EI -NAT: Modified for natatorium use
<b>Projected L70** for Kirlin Luminaires</b>						
In Open Plenum		50,000 hours				
In Insulation (Type IC)		50,000 hours				
**Hours at 70% lumen maintenance						
				†Consult factory		

## Performance Factors

NOMINAL LUMENS	LUMEN FACTOR	NOMINAL WATTS	LPW FACTOR
-2000L	1.00	20.1	1.00
-1500L	0.75	15.1	1.00
-1100L	0.55	11.1	1.00

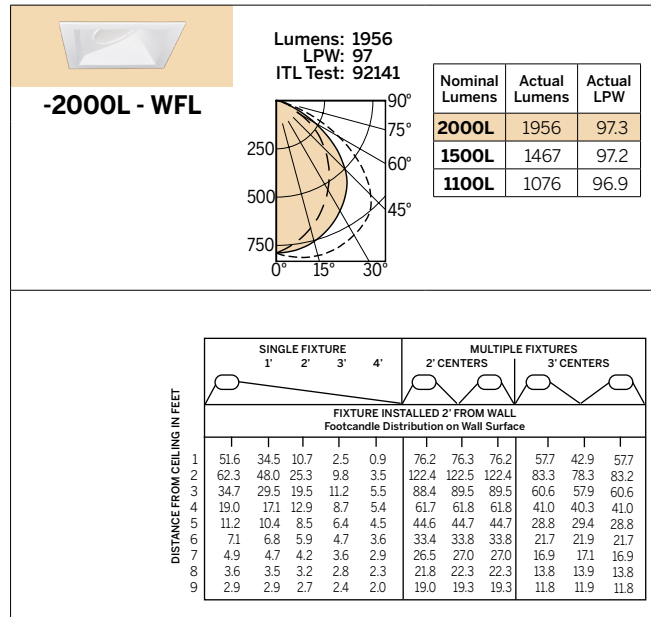
## Dimensions



\* See notes on page 1 for additional info on Lumen Factors

## Photometry - Installed Complete Fixture

LM-79 IESNA Certified Photometry from Independent Lab



LED manufacturers maintain a tolerance of +/-7% on flux (lumens) and power (electrical) measurements.

LED manufacturers maintain a tolerance of +/-7% on flux (lumens) and power (electrical) measurements.

▲ Cone of Light Key  
Dia. (in ft.) shown is where FC value is half the FC at nadir.  
Dist. Distance (Ft.) from fixture  
FC Footcandles at nadir (0°)  
Dia. Circle of light at 50% of FC