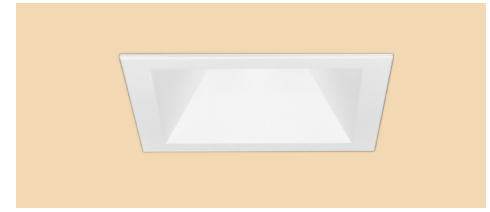


CATALOG #	TYPE	
JOB NAME	WATTAGE	VOLTAGE

Kirlin Select Series

4" Square Downlight • LED
 UL Wet • Type IC
 LM-79 Certified • LM-80 Qualified

LRS-04142



Specifications

Delivered System Performance

- Nominal Lumens: **Must Specify**
Type-IC
-2000L
-1500L
-1100L
- Distribution: WFL
- Color temperature: 3500°K standard
 -Optional: -30K, -40K; CRI 80+
- 50,000 hour life (L70**)

Thermal Management System

- Aluminum heat sink and components for cool operation, long life, and low maintenance

LED Driver - INTERNAL

- Indoor/Outdoor: -30°C to 60°C (-22°F to 140°F)
- 0-10V linear dimming standard (100-1%)
- 120-277V / 50-60 Hz standard; load insensitive or see Option -97

Trim Assembly

- Tapered aluminum all white smooth self-flanged rigid cast trim (field paintable)

Shallow 4 1/4" Depth Aluminum Housing

- Rustproof and corrosion resistant: exceeds 1000 hour ASTM 5% salt spray test
- Shallow depth fits restricted plenums
- Cool operation extends component life
- Modular design; visible and fully serviceable through aperture
- Built-in plaster flange

Outlet Box (Galvanized)

- UL Listed, 14GA, insulated, removable cover
- 1/2" and 3/4" knockouts

Installation & Hardware

- Indoor/outdoor in ceilings up to 1 1/8" thick or see Option -79
- Compatible with fire rated enclosures (by others)
- 27" hanger bars & adjusting brackets (2) supplied

UL, C-UL (Canada) Listings

- UL Listed: wet, damp or dry locations, covered ceilings
- Type IC for direct contact with insulation
- Through-branch conductors (4 #12 AWG 90°C) for Type IC Listing

IEC & FCC Compliance

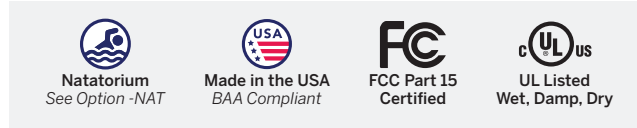
- Meets IEC/EN 60601-1-2 electromagnetic compatibility standard for medical electrical equipment
- FCC Part 15 certified for EMI/RFI emissions

FIVE YEAR Limited Warranty

- Complete standard fixture

Options and Ordering Configuration

(Example: LRS-04142-2000L-277-WFL-30K-38F-79)



Must Specify				Optional		
Model	Lumens	Volts	CCT† & CRI	Emergency Options	Trim Options	Other Options
LRS-04142	-2000L -1500L -1100L	(Blank): 120-277 -120 -277 -97†: Other Voltage	(Blank): 3500K, 80+ CRI -30K: 3000°K -35K: 3500°K -40K: 4000°K	(Blank): None -EI: Remote emergency inverter for 100% rated lumens; Run time: 90+ minutes; 120 or 277V, 60 Hz input only. Specify voltage. N/A for option -FS	(Blank): White aluminum self-flanged cone Trim Finishes -31: White acrylic enameled flange. For use with optional trim finishes only -32: White trim extender, specify OD -35T: Silver acrylic enamel (complete trim) -35F: Silver acrylic enamel (flange only) -37T: Dark bronze enamel (complete trim) -37F: Dark bronze enamel (flange only) -38T: Black enamel (complete trim) -38F: Black enamel (flange only) -94: Custom color; consult factory Other Trim Features -45: Gasket between trim & ceiling -CF: Custom color filter (Rosco); Specify	(Blank): None Mounting -79: Extension collar for ceilings up to 2" thick -RH: Joist mounting hardware instead Other Options -99: Special modification; consult factory -FS: Fused primary; One per fixture; N/A for option -EI -NAT: Modified for natatorium use
Projected L70** for Kirlin Luminaires In Open Plenum: 50,000 hours In Insulation (Type IC): 50,000 hours **Hours at 70% lumen maintenance †Consult factory						

Performance Factors

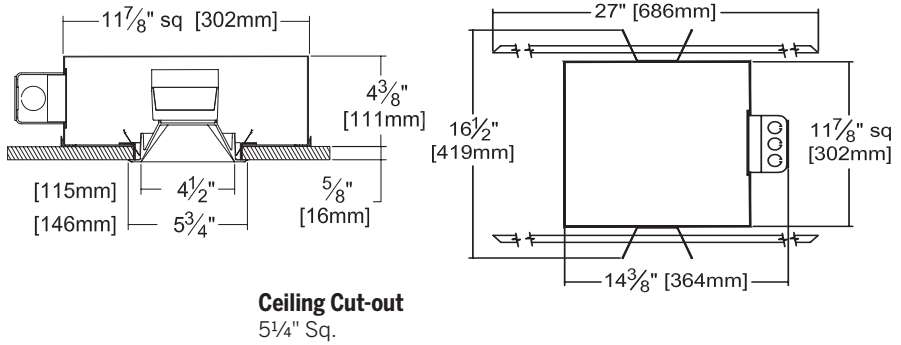
NOMINAL LUMENS	LUMEN FACTOR	NOMINAL WATTS	LPW FACTOR
-2000L	1.00	20.2	1.00
-1500L	0.75	15.2	1.00
-1100L	0.55	11.2	1.00



For QuickShip see GRS-04142¹

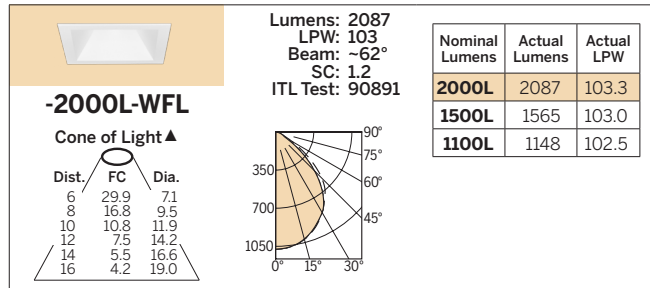
* See notes on page 1 for additional info on Lumen Factors

Dimensions



Photometry - Installed Complete Fixture

LM-79 IESNA Certified Photometry from Independent Lab



¹See GRR-04142 specification sheet or "Gazelle Express Program" brochure for complete details. Limited option availability
LED manufacturers maintain a tolerance of +/-7% on flux (lumens) and power (electrical) measurements.

▲ **Cone of Light Key**
Dia. (in ft.) shown is where FC value is half the FC at nadir.
Dist. Distance (Ft.) from fixture
FC Footcandles at nadir (0°)
Dia. Circle of light at 50% of FC

LIMITED WARRANTY: CATALOGUED KIRLIN FIXTURES ARE WARRANTED FREE OF DEFECTS IN WORKMANSHIP OR MATERIAL FOR FIVE YEARS FROM DATE OF PURCHASE. INSTALLED TO N.E.C. / IN NORMAL USE. Manufacturer at his option will replace or repair such fixture or refund the purchase price on presentation of proof of purchase and defective fixture to the offices of manufacturer within the warranty period. Liability of manufacturer is limited to the foregoing and manufacturer shall not be liable for any other damages, direct or indirect, sustained or suffered by purchaser or any person. This warranty is applied to the buyer in place of all other warranties, expressed or implied; seller does not warrant as to merchantability or fitness for a particular use, nor will any oral statement constitute a warranty or amend this specific warranty. Abnormal use, abuse of the fixture, improper installation, or repair or modification of the fixture without prior written authorization from the manufacturer will render the warranty void.
KIRLIN SELECT
FEBRUARY 2024