

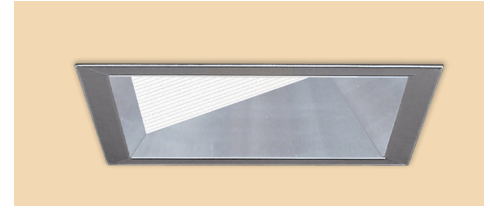
CATALOG #	TYPE	
JOB NAME	WATTAGE	VOLTAGE

# Latitudes Series

## Lensed 4" Wall Wash • LED

Up to 90,000 Hour Rated Life • Type IC • Air Tight Optional  
Wet Listed • LM-79 Certified • LM-80 Qualified

# LRS-04072



## Specifications

### Delivered System Performance

- Nominal Lumens: **Must Specify**

#### Type IC

-2000L

-1500L

-1000L

- Select color (CCT): see chart; 80+ CRI standard; Option -HC for 90+ (15% lumen loss)
- 90,000 Hour Rated Life (L70\*\*)
- Center beam optics positioned at 25°

### Thermal Management System

- Aluminum heat sink and components for cool operation, long life, and low maintenance

### LED Driver - INTERNAL

- Indoor/Outdoor: -30°C to 60°C (-22°F to 140°F)
- 0-10V CCR 10% dimming standard
- 120-277V / 50-60 Hz standard; load insensitive

### Trim Assembly

- Low brightness clear aluminum self-flanged angle cut cone with tempered prismatic glass lens above
- Optional colors and finishes available

### Acrylic Enameled Aluminum Housing

- Rustproof and corrosion resistant: exceeds 1000 hour ASTM 5% salt spray test
- Shallow depth fits restricted plenums
- Cool operation extends component life
- Modular design; visible and fully serviceable through aperture
- Built-in plaster flange

### Outlet Box (Galvanized)

- UL Listed, 14GA, insulated, removable cover
- ½" and ¾" knockouts

### Installation & Hardware

- Indoor/outdoor in ceilings up to 1¼" thick
- Compatible with fire rated enclosures (by others)
- 27" hanger bars & adjusting brackets (2) supplied

### UL, C-UL (Canada) Compliance

- UL Listed: wet, damp or dry locations, covered ceilings
- Type IC for direct contact with insulation
- Through-branch conductors (4 #12 AWG 90°C) for Type IC Listing

### IEC & FCC Compliance

- Meets IEC/EN 60601-1-2 electromagnetic compatibility standard for medical electrical equipment
- FCC Part 15 certified for EMI/RFI emissions

### FIVE YEAR Limited Warranty

- Complete standard fixture



## Options and Ordering Configuration

(Example: LRS-04072-1500L-120-35K-37F-RH-AT)

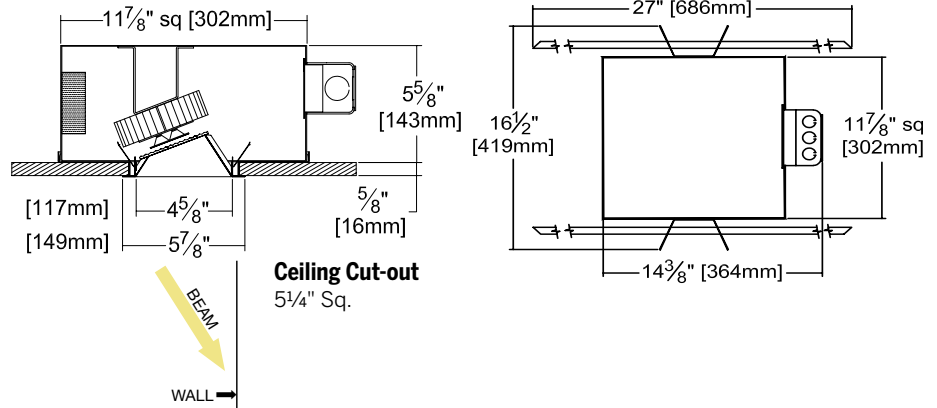
Must Specify				Optional			
Model	Lumens	Volts	CCT† & CRI	Driver Options	Emergency Options	Trim Options	Other Options
LRS-04072							
	-2000L -1500L -1000L	-120 -277 -97†: Other Voltage	(Blank): 3500°K, 80+ CRI  <b>80+ CRI*</b> -27K: 2700°K -30K: 3000°K -35K: 3500°K -41K: 4000°K -50K: 5000°K  *Note: Lumen Factor = 0.93 for -27K	(Blank): Standard 0-10V CCR 10% dim  -D1†: 0-10V 1.0% dim -D2†: 0-10V 0.1% dim -D3†: DALI 1.0% dim -D4†: DALI 100-0.1% dim -D5†: DMX512A 0.1% dim -D40: -40°C (-40°F) driver; 0-10V 10% dim	(Blank): None  -EI: Remote emergency inverter for 100% rated lumens; Run time: 90+ minutes; N/A for options -FS, -97 -EM: Internal emergency battery pack; Delivers 500 lumens; Run time: 90+ minutes -ERH: Remote emergency battery pack; Delivers 1000 lumens; CEC Compliant; Run time: 90+ minutes	(Blank): Standard clear self-flanged angle cut cone with tempered prismatic glass above  <b>Trim Finishes</b> -30: All white enameled cone -31: White acrylic enameled cone flange -37F: Dark bronze enamel cone flange -38F: Black enamel cone flange -70: Clear semi-specular SofTex™ trim -94: Custom color; consult factory <b>Other Trim Features</b> -32: White trim extender, specify OD -45: Gasket between trim & ceiling -CF: Custom color filter (Rosco); Specify -DF: Electrically isolated trim	(Blank): None  <b>Mounting</b> -RH: Joist mounting hardware instead  <b>Other Options</b> -99: Special modification; consult factory -AT: Air Tight version; Meets ASTM E283 airflow restriction of 2CFM max; Option -RH required -AWN: Athena Wireless Node; N/A for Dimming Options D5, -D40 -FS: Fused primary; One per fixture; N/A for option -EI  *Note: For other integrated control solutions, such as nLight, contact factory
<b>Projected L70** for Kirlin Luminaires</b>							
In Open Plenum		90,000 hours					
In Insulation (Type IC)		70,000 hours					
**Hours at 70% lumen maintenance							
				†Consult factory for use with -2000L			
				**Note: Lumen Factor = 0.79 for -27K-HC; All Others = 0.85; consult factory			
				†Consult factory for use with -2000L			

## Performance Factors

NOMINAL LUMENS	LUMEN FACTOR	NOMINAL WATTS	LPW FACTOR
-2000L	1.257	28.6	0.92
-1500L	1.00	20.9	1.00
-1000L	0.579	10.3	1.17

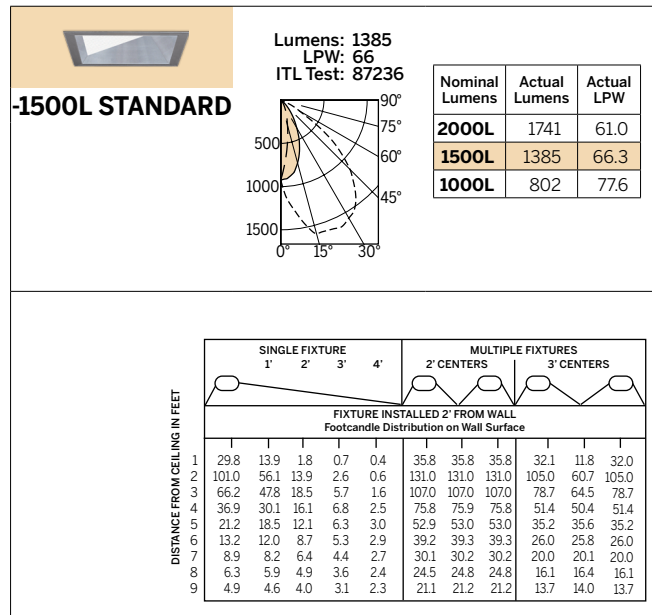
\* See notes on page 1 for additional info on Lumen Factors

## Dimensions



## Photometry - Installed Complete Fixture

LM-79 IESNA Certified Photometry from Independent Lab



LED manufacturers maintain a tolerance of +/-7% on flux (lumens) and power (electrical) measurements.

▲ **Cone of Light Key** Dia. (in ft.) shown is where FC value is half the FC at nadir.  
**Dist.** Distance (Ft.) from fixture  
**FC** Footcandles at nadir (0°)  
**Dia.** Circle of light at 50% of FC