

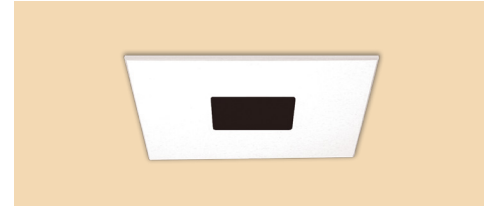
CATALOG #	TYPE	
JOB NAME	WATTAGE	VOLTAGE

Latitudes Series

Pinhole Open Appearance 2" Adjustable • LED

Up to 90,000 Hour Rated Life • Type IC • Air Tight Optional
Wet Listed • LM-79 Certified • LM-80 Qualified

LRS-02062



Specifications

Delivered System Performance

- Nominal Lumens: **Must Specify**

Type IC

-2000L

-1500L

-1000L

- Select color (CCT): see chart; 80+ CRI standard; Option -HC for 90+ (15% lumen loss)
- 90,000 Hour Rated Life (L70**)

Center Beam Optics

- Self-aligns with trim for optimal performance
- Hot aiming by hand
- Tilts from 0° to 45° and locks in place
- Rotates full 360° and locks in place
- Accommodates sloped ceilings up to 45°

Thermal Management System

- Aluminum heat sink and components for cool operation, long life, and low maintenance

LED Driver - INTERNAL

- Indoor/Outdoor: -30°C to 60°C (-22°F to 140°F)
- 0-10V CCR 10% dimming standard
- 120-277V / 50-60 Hz standard; load insensitive

Pinhole Trim

- White die cast square flat aluminum (field paintable). Low brightness black inner bevel and angle cut cone with tempered glass lens above

Acrylic Enamelled Aluminum Housing

- Rustproof and corrosion resistant; exceeds 1000 hour ASTM 5% salt spray test
- Shallow depth fits restricted plenums
- Cool operation extends component life
- Modular design; visible and fully serviceable through aperture
- Built-in plaster flange

Outlet Box (Galvanized)

- UL Listed, 14GA, insulated, removable cover
- ½" and ¾" knockouts

Installation & Hardware

- Indoor/outdoor in ceilings up to 1¼" thick
- Compatible with fire rated enclosures (by others)
- 27" hanger bars & adjusting brackets (2) supplied

UL, C-UL (Canada) Compliance

- UL Listed: wet, damp or dry locations, covered ceilings
- Type IC for direct contact with insulation
- Through-branch conductors (4 #12 AWG 90°C) for Type IC Listing

IEC & FCC Compliance

- Meets IEC/EN 60601-1-2 electromagnetic compatibility standard for medical electrical equipment
- FCC Part 15 certified for EMI/RFI emissions

FIVE YEAR Limited Warranty

- Complete standard fixture



Options and Ordering Configuration

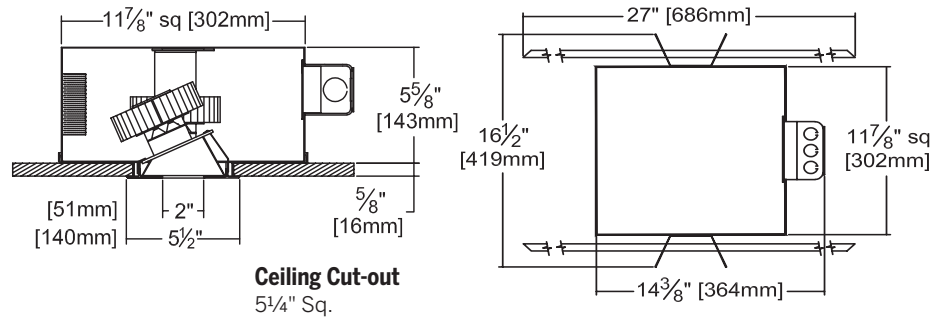
(Example: LRS-02062-1500L-120-35K-37-RH-AT)

Must Specify				Optional			
Model	Lumens	Volts	CCT† & CRI	Driver Options	Emergency Options	Trim Options	Other Options
LRS-02062	-2000L -1500L -1000L	-120 -277 -97†: Other Voltage	(Blank): 3500°K, 80+ CRI 80+ CRI* -27K: 2700°K -30K: 3000°K -35K: 3500°K -41K: 4100°K -50K: 5000°K *Note: Lumen Factor = 0.93 for -27K 90+ CRI** -27K-HC: 2700°K -30K-HC: 3000°K -35K-HC: 3500°K -41K-HC: 4100°K -50K-HC: 5000°K	(Blank): Standard 0-10V CCR 10% dim -D1: 0-10V 1.0% dim -D2: 0-10V 0.1% dim -D3: DALI 1.0% dim -D4: DALI 100-0.1% dim -D5: DMX512A 0.1% dim -D40: -40°C (-40°F) driver; 0-10V 10% dim	(Blank): None -EI: Remote emergency inverter for 100% rated lumens; Run time: 90+ minutes; N/A for options -FS, -97 -EM: Internal emergency battery pack; Delivers 500 lumens; Run time: 90+ minutes -ERH: Remote emergency battery pack; Delivers 1000 lumens; CEC Compliant; Run time: 90+ minutes	(Blank): Standard white die cast square flat aluminum; black inner bevel and angle cut cone Trim Finishes -35: Silver acrylic enamel finish -37: Dark bronze enamel finish -38: Black enamel finish -94: Custom color; consult factory -BN: Brushed satin nickel finish Other Trim Features -32: White trim extender, specify OD -45: Gasket between trim & ceiling -CF: Custom color filter (Rosco); Specify -DF: Electrically isolated trim	(Blank): None Mounting -RH: Joist mounting hardware instead Other Options -99: Special modification; consult factory -AT: Air Tight version; Meets ASTM E283 airflow restriction of 2CFM max; Option -RH required -AWN: Athena Wireless Node; N/A for Dimming Options D5, -D40 -FS: Fused primary; One per fixture; N/A for option -EI *Note: For other integrated control solutions, such as nLight, contact factory
Projected L70** for Kirlin Luminaires In Open Plenum: 90,000 hours In Insulation (Type IC): 70,000 hours <small>**Hours at 70% lumen maintenance</small>				<small>†Consult factory</small> <small>**Note: Lumen Factor = 0.79 for -27K-HC; All Others = 0.85; consult factory</small>			

Performance Factors

NOMINAL LUMENS	LUMEN FACTOR	NOMINAL WATTS	LPW FACTOR
-2000L	1.257	28.7	0.92
-1500L	1.00	21.0	1.00
-1000L	0.579	10.4	1.17

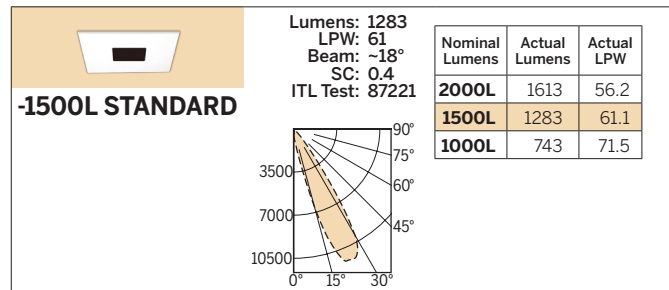
Dimensions



* See notes on page 1 for additional info on Lumen Factors

Photometry - Installed Complete Fixture

LM-79 IESNA Certified Photometry from Independent Lab



LED manufacturers maintain a tolerance of +/-7% on flux (lumens) and power (electrical) measurements.

▲ **Cone of Light Key** Dist. Distance (Ft.) from fixture
Dia. (in ft.) shown is where FC
FC Footcandles at nadir (0°)
value is half the FC at nadir. Dia. Circle of light at 50% of FC