

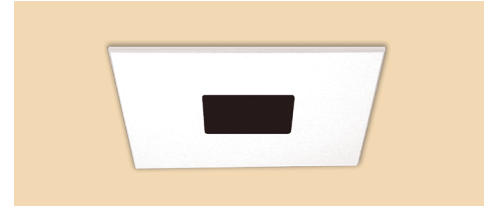
CATALOG #	TYPE	
JOB NAME	WATTAGE	VOLTAGE

Latitudes Series

Pinhole Open Appearance 2" Downlight • LED

Up to 90,000 Hour Rated Life • Type IC • Air Tight Optional
Wet Listed • LM-79 Certified • LM-80 Qualified

LRS-02047



Specifications

Delivered System Performance

- Nominal Lumens: **Must Specify**

Type IC

-1500L

-1000L

- Select color (CCT): see chart; 80+ CRI standard; Option -HC for 90+ (15% lumen loss)
- 90,000 Hour Rated Life (L70**)

Thermal Management System

- Aluminum heat sink and components for cool operation, long life, and low maintenance

LED Driver - INTERNAL

- Indoor/Outdoor: -30°C to 60°C (-22°F to 140°F)
- 0-10V CCR 10% dimming standard
- 120-277V / 50-60 Hz standard; load insensitive

Pinhole Trim

- White die cast aluminum (field paintable)
- Low brightness black inner bevel and cone with clear tempered glass lens above
- Optional trim colors and finishes available

Acrylic Enameled Aluminum Housing

- Rustproof and corrosion resistant: exceeds 1000 hour ASTM 5% salt spray test
- Shallow depth fits restricted plenums
- Cool operation extends component life
- Modular design; visible and fully serviceable through aperture
- Built-in plaster flange

Outlet Box (Galvanized)

- UL Listed, 14GA, insulated, removable cover
- ½" and ¾" knockouts

Installation & Hardware

- Indoor/outdoor in ceilings up to 1¼" thick or see Option -79
- Compatible with fire rated enclosures (by others)
- 27" hanger bars & adjusting brackets (2) supplied

UL, C-UL (Canada) Compliance

- UL Listed: wet, damp or dry locations, covered ceilings
- Type IC for direct contact with insulation
- Through-branch conductors (4 #12 AWG 90°C) for Type IC Listing

IEC & FCC Compliance

- Meets IEC/EN 60601-1-2 electromagnetic compatibility standard for medical electrical equipment
- FCC Part 15 certified for EMI/RFI emissions

FIVE YEAR Limited Warranty

- Complete standard fixture

Options and Ordering Configuration

(Example: LRS-02047-1500L-277-35K-37-RH-AT)

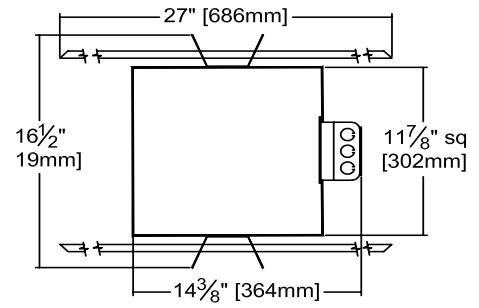
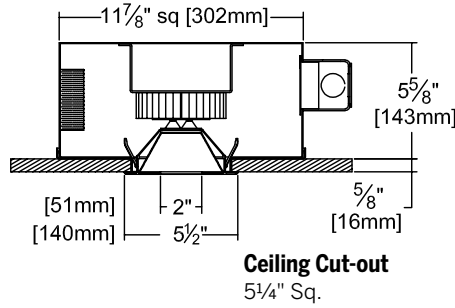


Must Specify				Optional			
Model	Lumens	Volts	CCT† & CRI	Driver Options	Emergency Options	Trim Options	Other Options
LRS-02047	-1500L -1000L	-120 -277 -97†: Other Voltage	(Blank): 3500°K, 80+ CRI 80+ CRI* -27K: 2700°K -30K: 3000°K -35K: 3500°K -41K: 4000°K -50K: 5000°K *Note: Lumen Factor = 0.93 for -27K 90+ CRI** -27K-HC: 2700°K -30K-HC: 3000°K -35K-HC: 3500°K -41K-HC: 4000°K -50K-HC: 5000°K	(Blank): Standard 0-10V CCR 10% dim -D1: 0-10V 1.0% dim -D2: 0-10V 0.1% dim -D3: DALI 1.0% dim -D4: DALI 100-0.1% dim -D5: DMX512A 0.1% dim -D40: -40°C (-40°F) driver; 0-10V 10% dim	(Blank): None -EI: Remote emergency inverter for 100% rated lumens; Run time: 90+ minutes; N/A for options -FS, -97 -EM: Internal emergency battery pack; Delivers 500 lumens; Run time: 90+ minutes -ERH: Remote emergency battery pack; Delivers 1000 lumens; CEC Compliant; Run time: 90+ minutes	(Blank): Standard white die cast flat aluminum; black inner bevel and cone with clear tempered glass above Trim Finishes -35: Silver (natural aluminum) acrylic enamel finish -37: Dark bronze enamel finish -38: Black enamel finish -94: Custom color; consult factory -BN: Brushed satin nickel finish Other Trim Features -32: White trim extender, specify OD -45: Gasket between trim & ceiling -CF: Custom color filter (Rosco); Specify -DF: Electrically isolated trim	(Blank): None Mounting -79: Extension collar for ceilings up to 2" thick -RH: Joist mounting hardware instead Other Options -99: Special modification; consult factory -AT: Air Tight version; Meets ASTM E283 airflow restriction of 2CFM max. Option -RH required -AWN: Athena Wireless Node; N/A for Dimming Options D5, -D40 -FS: Fused primary; One per fixture; N/A for option -EI -NAT: Modified for natatorium use, including a lens on the trim *Note: For other integrated control solutions, such as nLight, contact factory
Projected L70** for Kirlin Luminaires In Open Plenum: 90,000 hours In Insulation (Type IC): 70,000 hours **Hours at 70% lumen maintenance †Consult factory				**Note: Lumen Factor = 0.79 for -27K-HC; All Others = 0.85; consult factory			

Performance Factors

NOMINAL LUMENS	LUMEN FACTOR	NOMINAL WATTS	LPW FACTOR
-1500L	1.00	20.8	1.00
-1000L	0.579	10.3	1.17

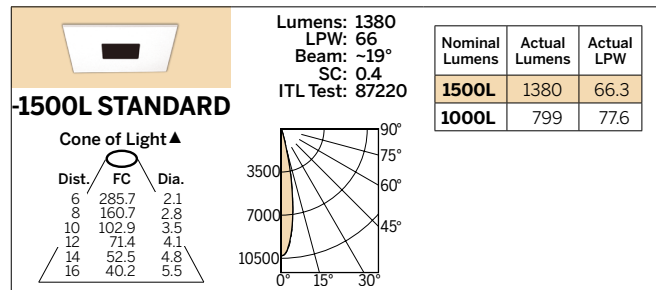
Dimensions



* See notes on page 1 for additional info on Lumen Factors

Photometry - Installed Complete Fixture

LM-79 IESNA Certified Photometry from Independent Lab



LED manufacturers maintain a tolerance of +/-7% on flux (lumens) and power (electrical) measurements.

▲ **Cone of Light Key** **Dist.** Distance (Ft.) from fixture
Dia. (in ft.) shown is where **FC** Footcandles at nadir (0°)
 value is half the FC at nadir. **Dia.** Circle of light at 50% of FC

LIMITED WARRANTY: CATALOGUED KIRLIN FIXTURES ARE WARRANTED FREE OF DEFECTS IN WORKMANSHIP OR MATERIAL FOR FIVE YEARS FROM DATE OF PURCHASE. INSTALLED TO N.E.C. IN NORMAL USE. Manufacturer at his option will replace or repair such fixture or refund the purchase price on presentation of proof of purchase and defective fixture at the office of manufacturer within the years of original shipment. Liability of manufacturer is limited to the foregoing and manufacturer shall not be liable for any other damages, direct or indirect, sustained or suffered by purchaser or any person. This warranty is applied to the buyer in place of all other warranties, expressed or implied. Seller does not warrant as to merchantability or fitness for a particular use, nor will any oral statement constitute a warranty or amend this specific warranty. Abnormal use, abuse of the fixture, improper installation, or repair or modification of the fixture without prior written authorization from the manufacturer will render the warranty void.